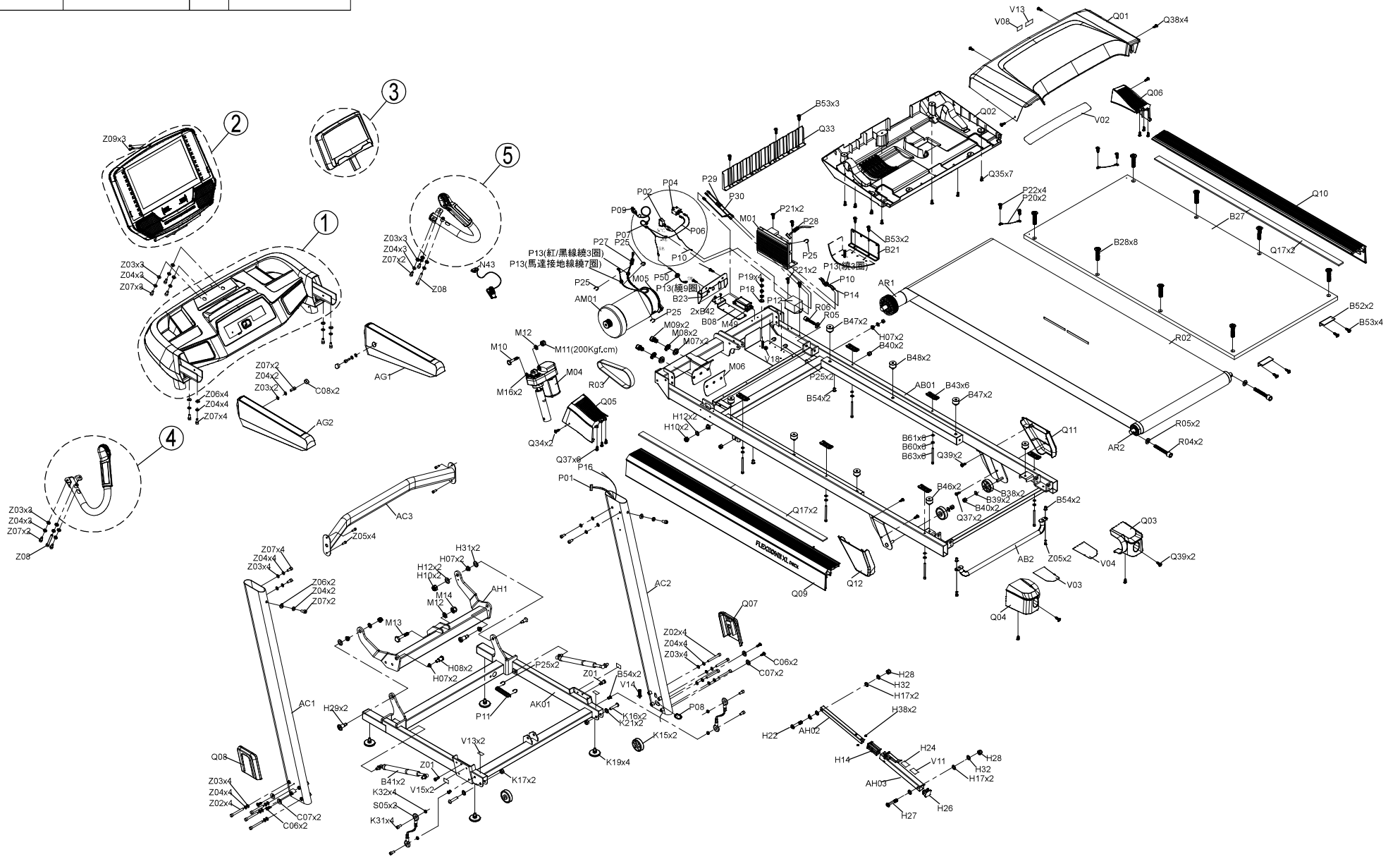
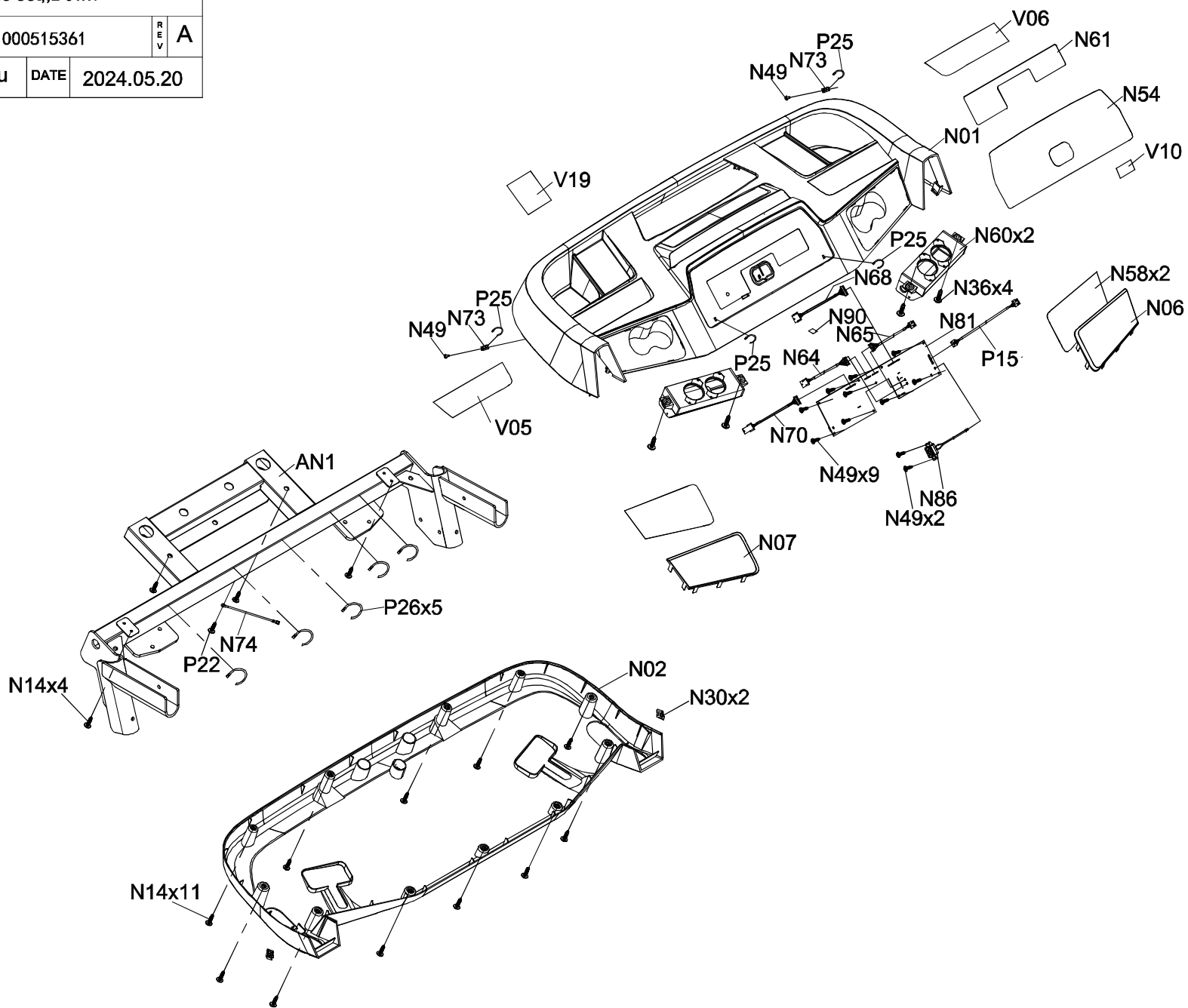


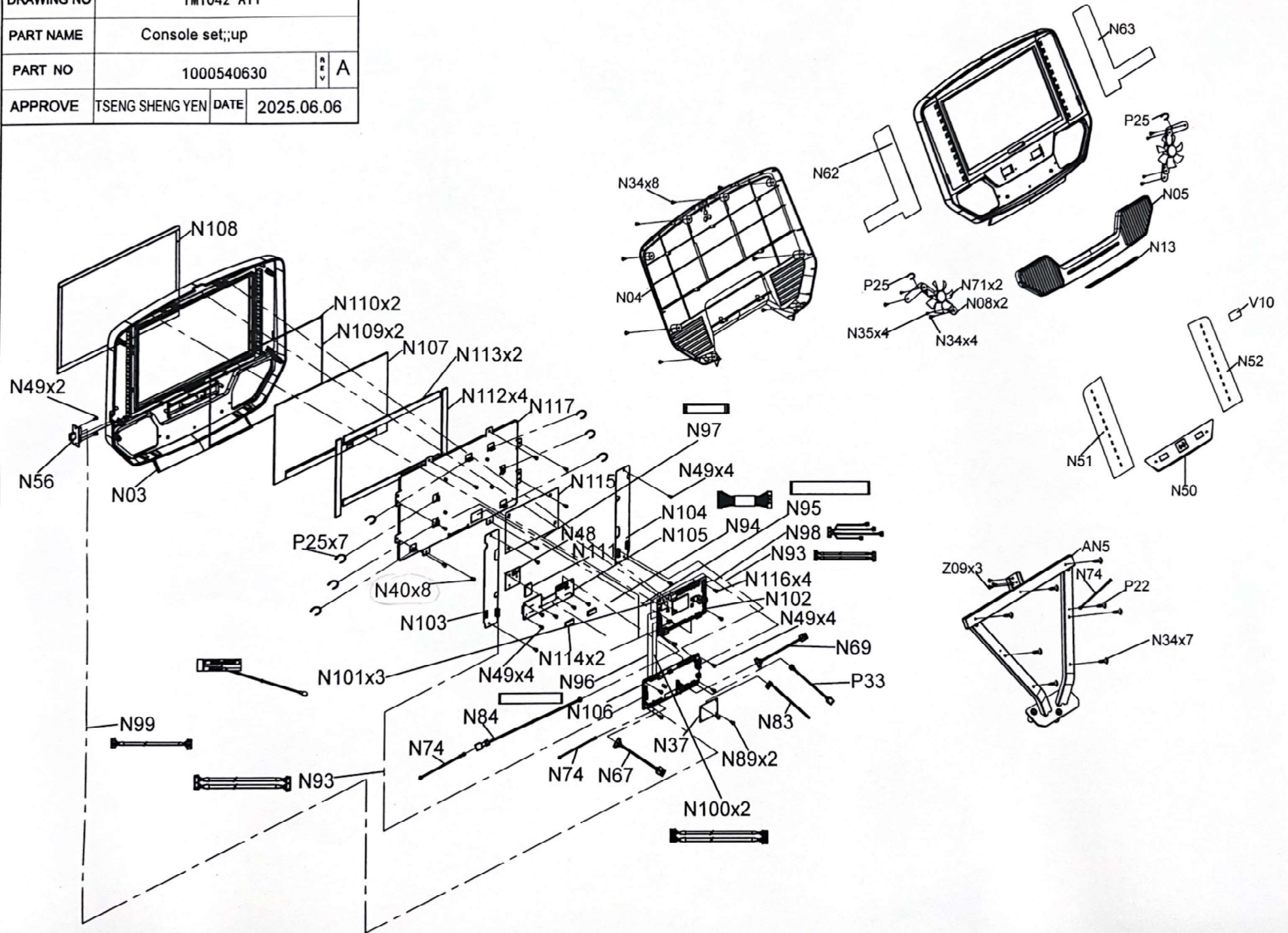
DRAWING NO	PTM1042-1US		
PART NAME	EXPLOSIVE DRAWING		
PART NO	BTM0010-00	REV	A
APPROVE	TSENG SHENG YEN	DATE	2025.06.06



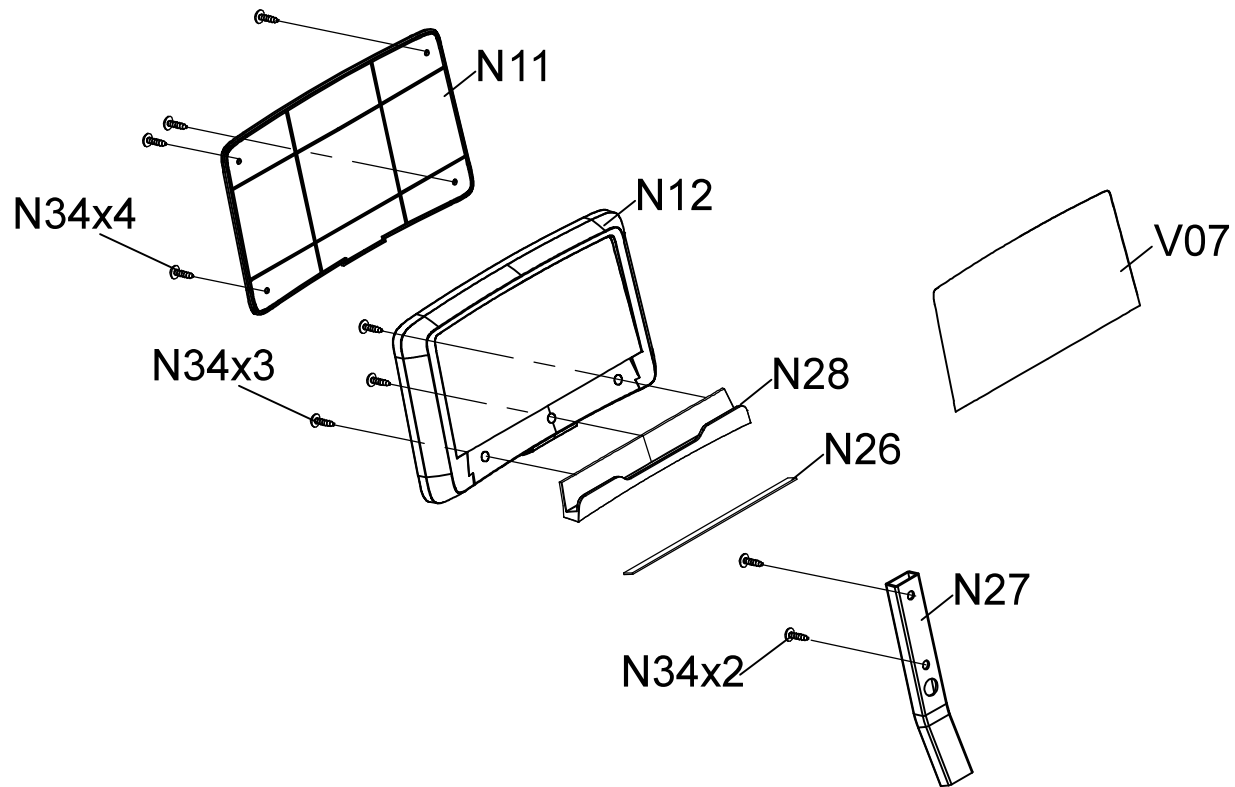
DRAWING NO	TM1036-A10		
PART NAME	Console set;;Down		
PART NO	1000515361	REV	A
APPROVE	Wenjuan Wu	DATE	2024.05.20



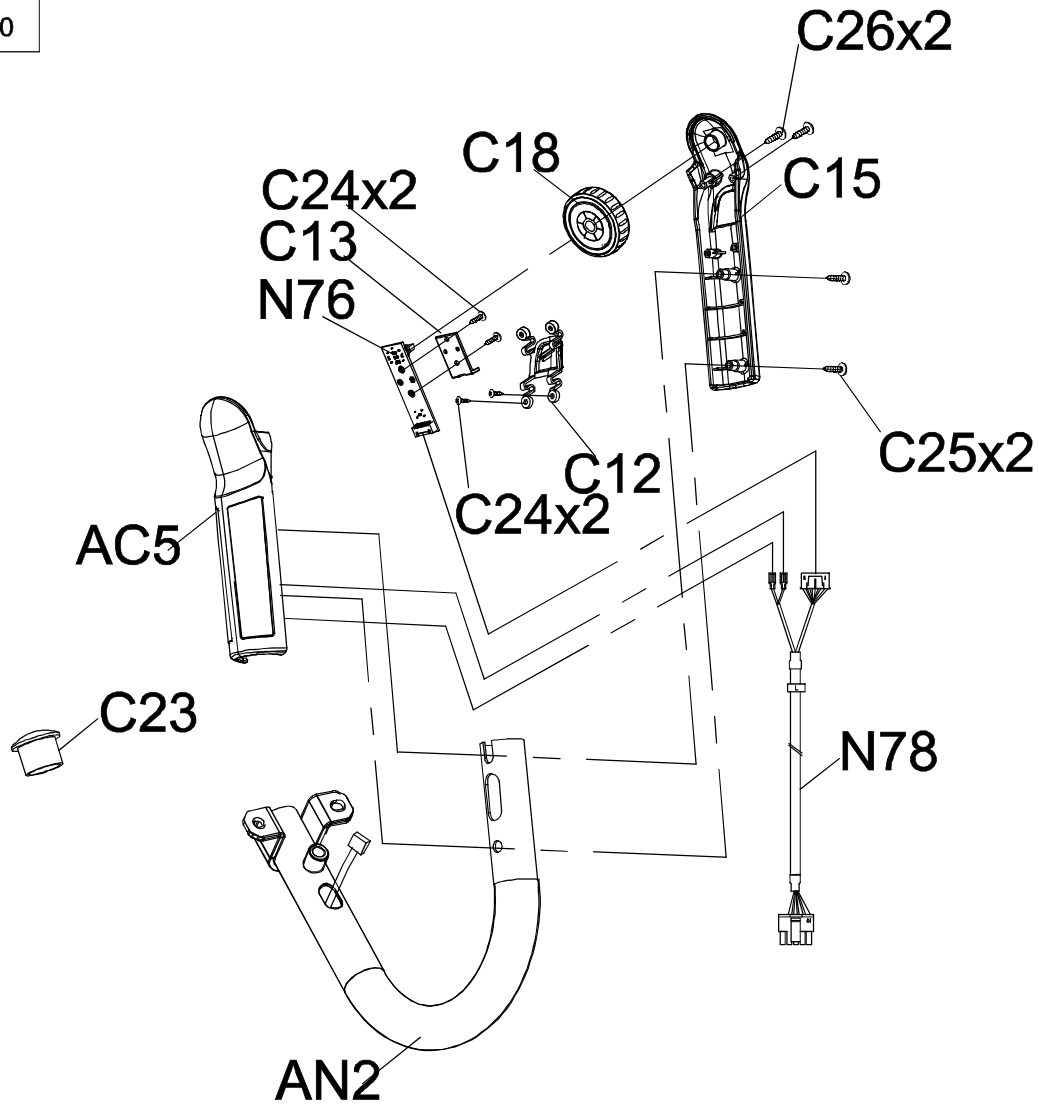
DRAWING NO	TM1042-A11		
PART NAME	Console set;;up		
PART NO	1000540630	REV	A
APPROVE	TSENG SHENG YEN	DATE	2025.06.06



DRAWING NO	TM1042-A12		
PART NAME	Hand Pulse Grip Set;;left		
PART NO	1000540627	REV	A
APPROVE	TSENG SHENG YEN	DATE	2025.06.06



DRAWING NO	TM1036-A13		
PART NAME	Hand Pulse Grip Set;;left		
PART NO	1000515364	REV	A
APPROVE	Wenjuan Wu	DATE	2024.05.20



DRAWING NO	TM1036-A14		
PART NAME	Hand Pulse Grip Set;;Right		
PART NO	1000515365	REV	A
APPROVE	Wenjuan Wu	DATE	2024.05.20

