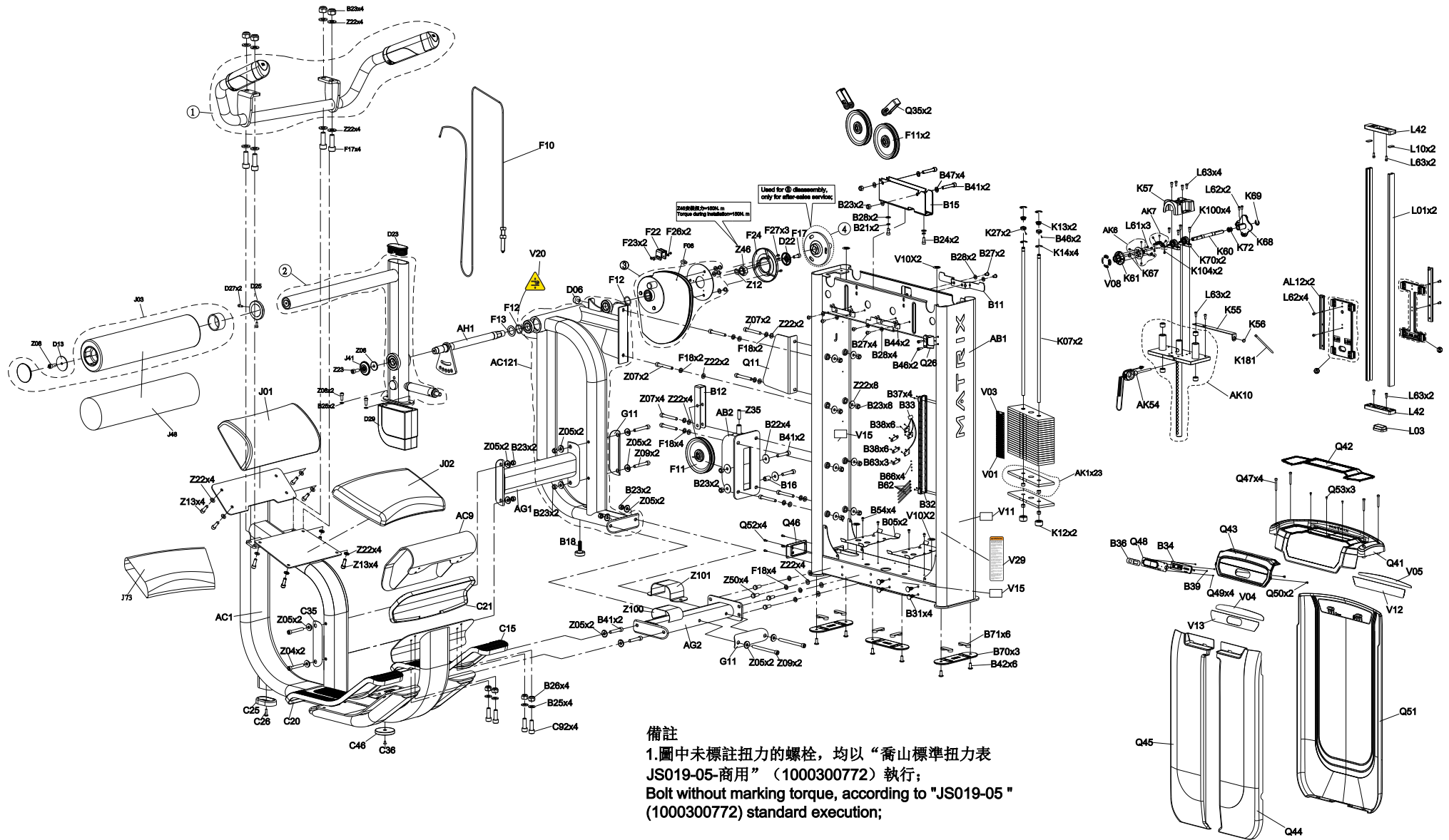
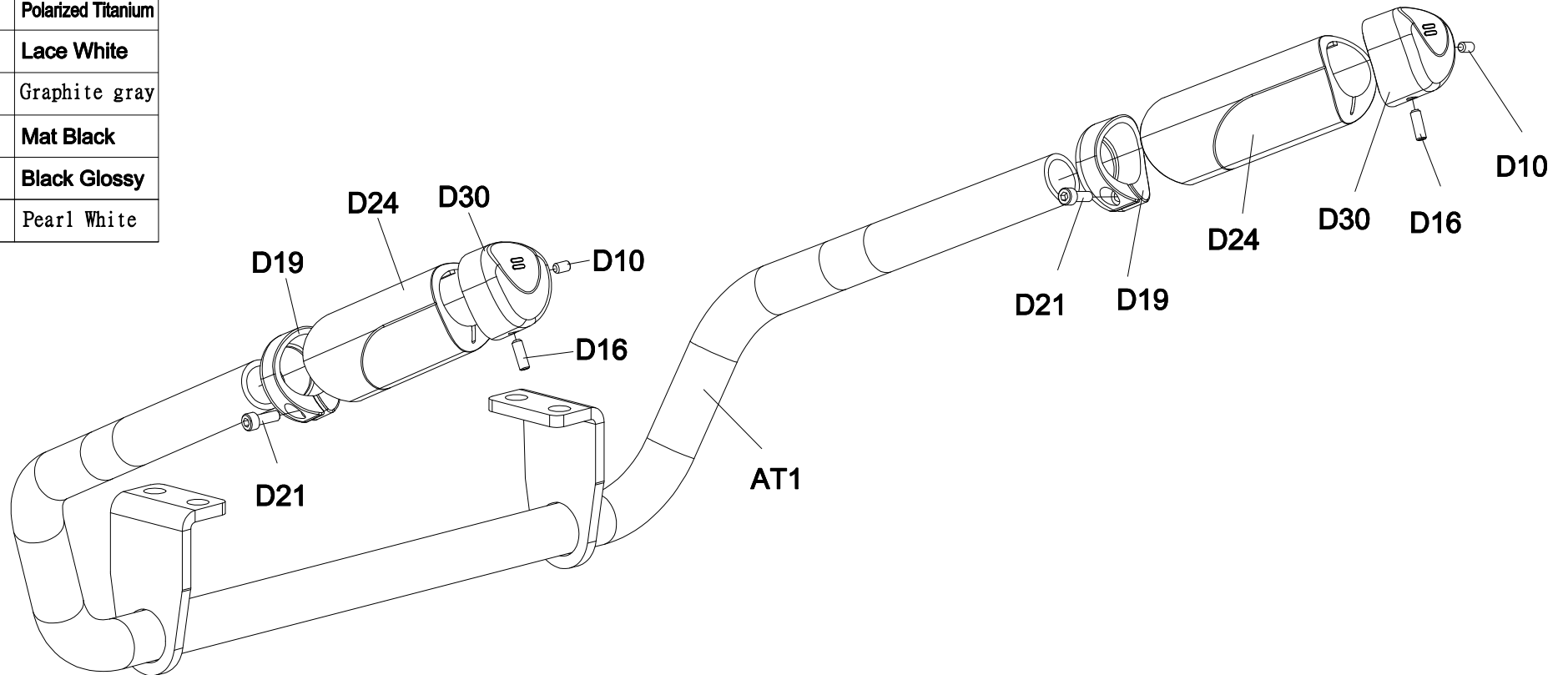


DRAWING NO	PG7GM126H-KM		
PART NAME	Explosive Diagram		
PART NO	MGM0967-00	REV	A
APPROVE	Wangzhiqing	DATE	2024.09.13

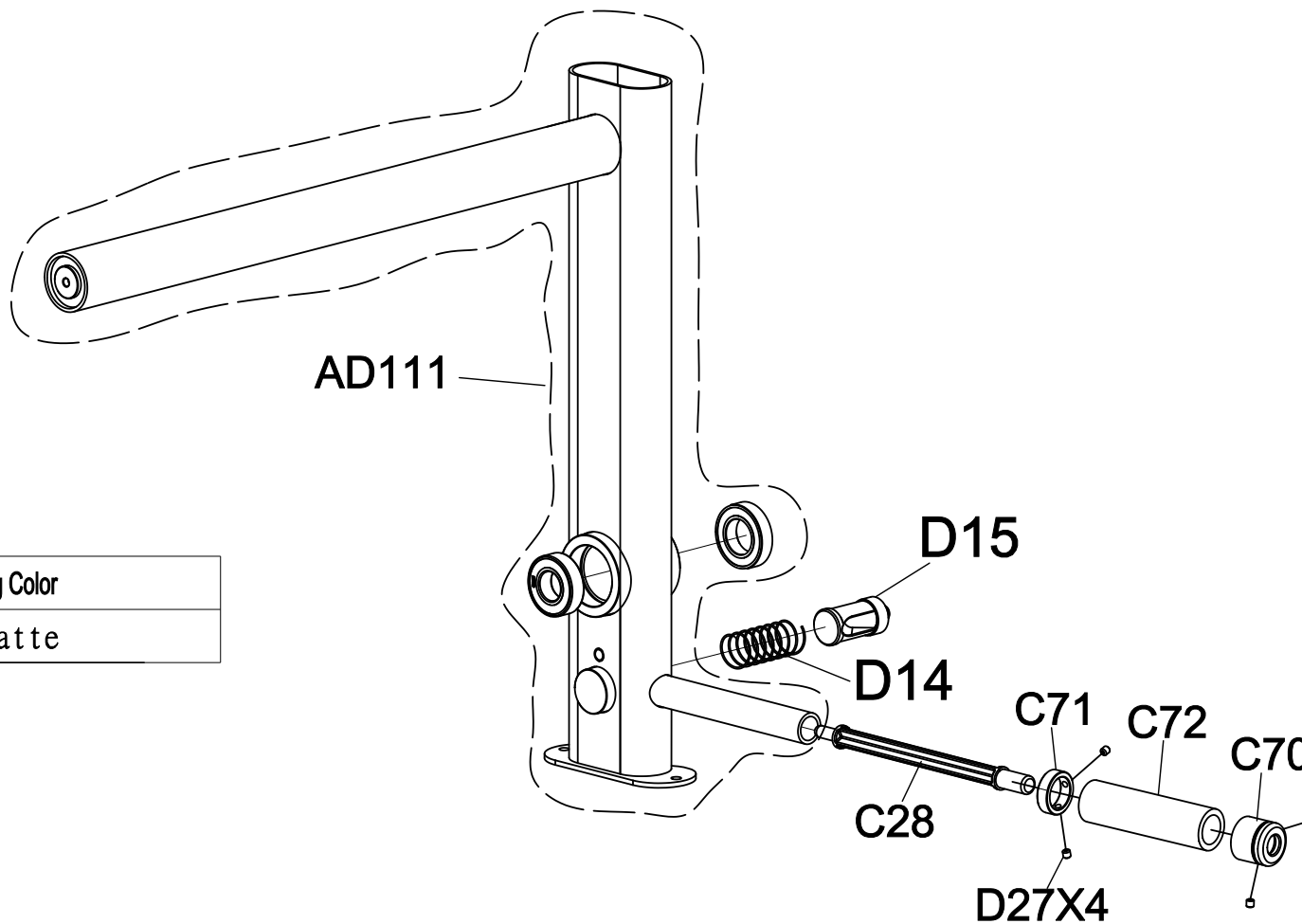


DRAWING NO	GM126-SF01		
PART NAME	Handle Set;Assembly		
PART NO	See Chart	REV	B
APPROVE	Wangzhiqing	DATE	2024.3.26

Part NO.	Color
1000417374	Iced Sliver
1000417375	Platinum
1000417376	Polarized Titanium
1000417378	Lace White
1000508083	Graphite gray
1000417381	Mat Black
1000417382	Black Glossy
1000417380	Pearl White



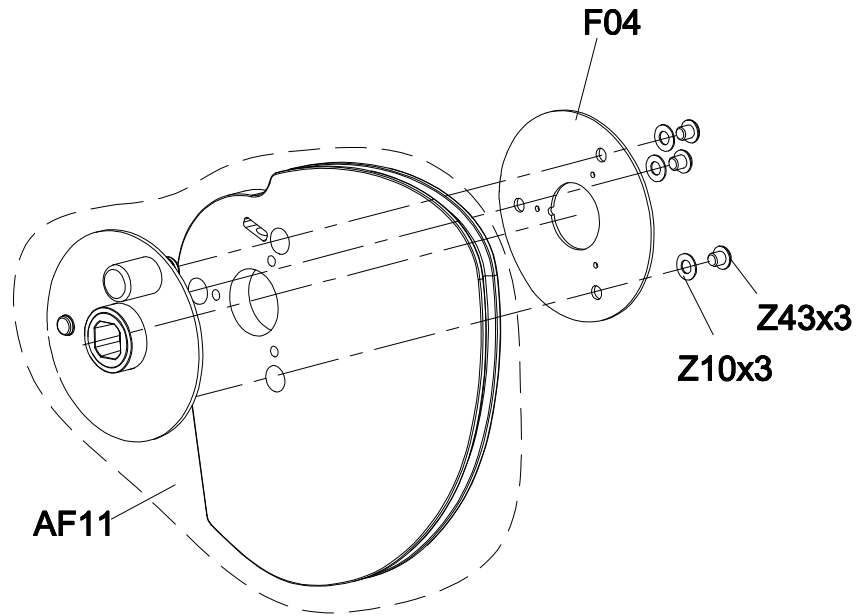
DRAWING NO	GM126H-SF02		
PART NAME	Rotating arm set		
PART NO	See chart	REV	A
APPROVE	Wangzhiqing	DATE	2024.9.13




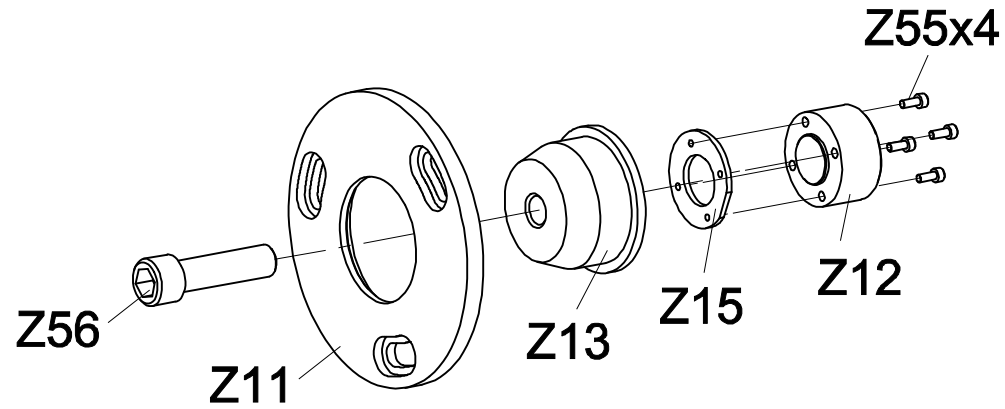
SAP No.	Painting Color
1000522881	Black Matte

DRAWING NO	GM126-SF03		
PART NAME	Cam Fixing Set		
PART NO	See Chart	REV	B
APPROVE	Wangzhiqing	DATE	2024.3.26

Part NO.	Color
1000417155	Iced Sliver
1000417156	Platinum
1000417157	Polarized Titanium
1000417158	Lace White
1000508830	Graphite gray
1000417160	Mat Black
1000417161	Black Glossy
1000417159	Pearl White



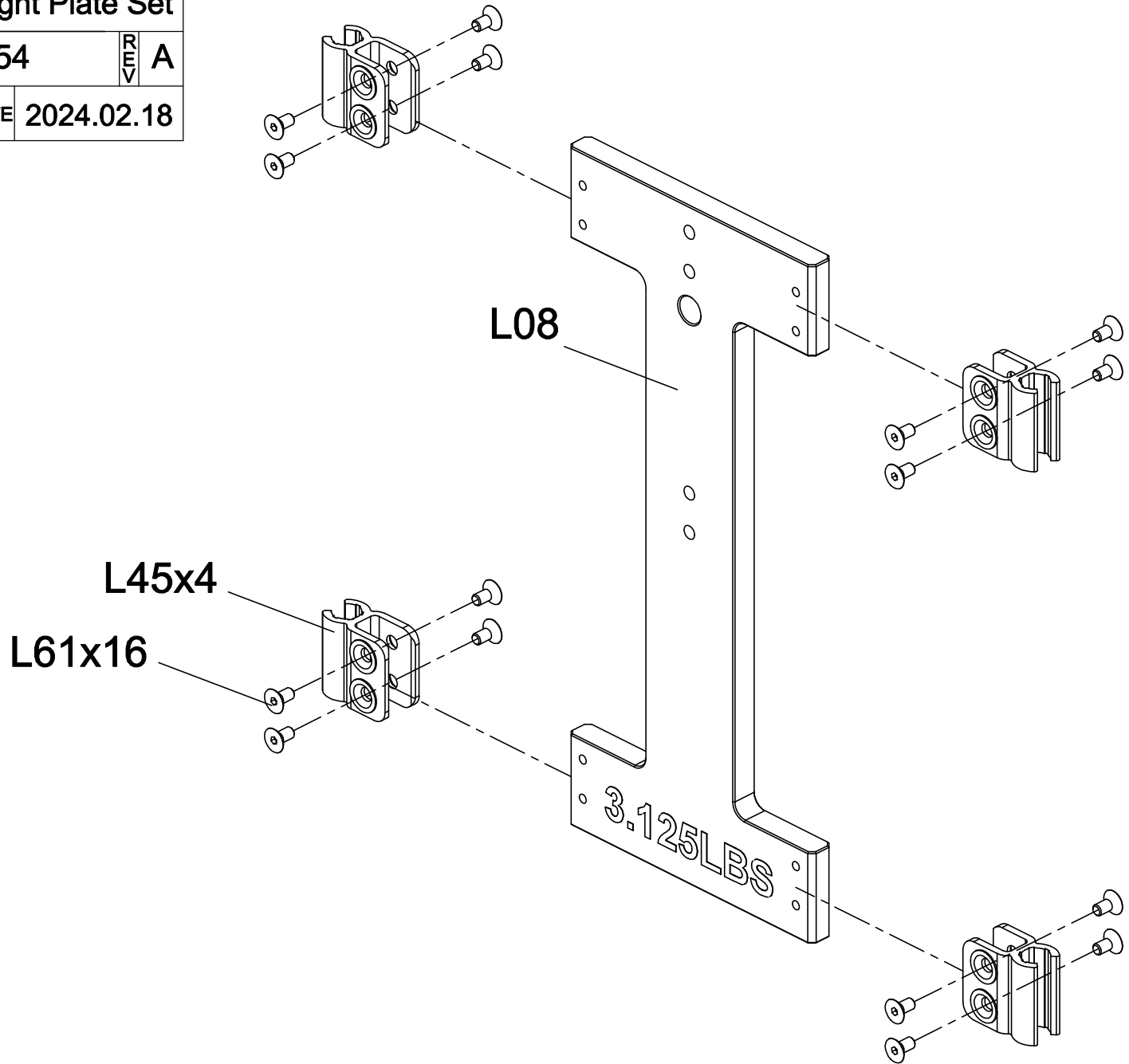
DRAWING NO	GM113-SF04		
PART NAME	Disassembly connect set;CAM ;Assembling		
PART NO	1000420787		A
APPROVE	ALEX	DATE	06.25.2018



**Notes:**

Z11 and Z13, tight fit, must be equipped with hydraulic press.

DRAWING NO	GM113F-SF03		
PART NAME	Incremental Weight Plate Set		
PART NO	1000504954	REV	A
APPROVE	Yang Hong wu	DATE	2024.02.18



DRAWING NO	GM113F-SF04		
PART NAME	Incremental Weight Plate Set		
PART NO	1000504962	REV	A
APPROVE	Yang Hong wu	DATE	2024.02.18

