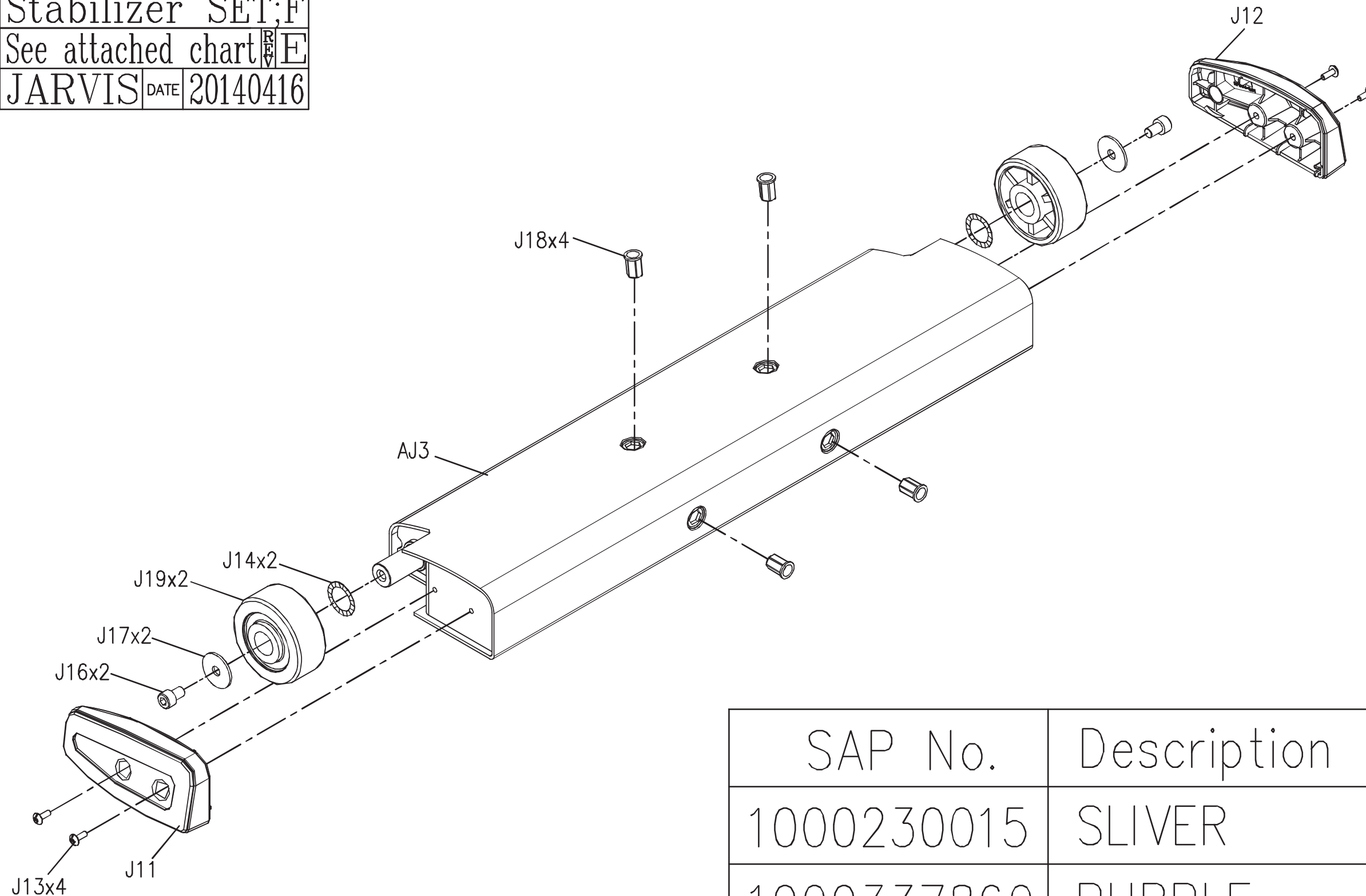
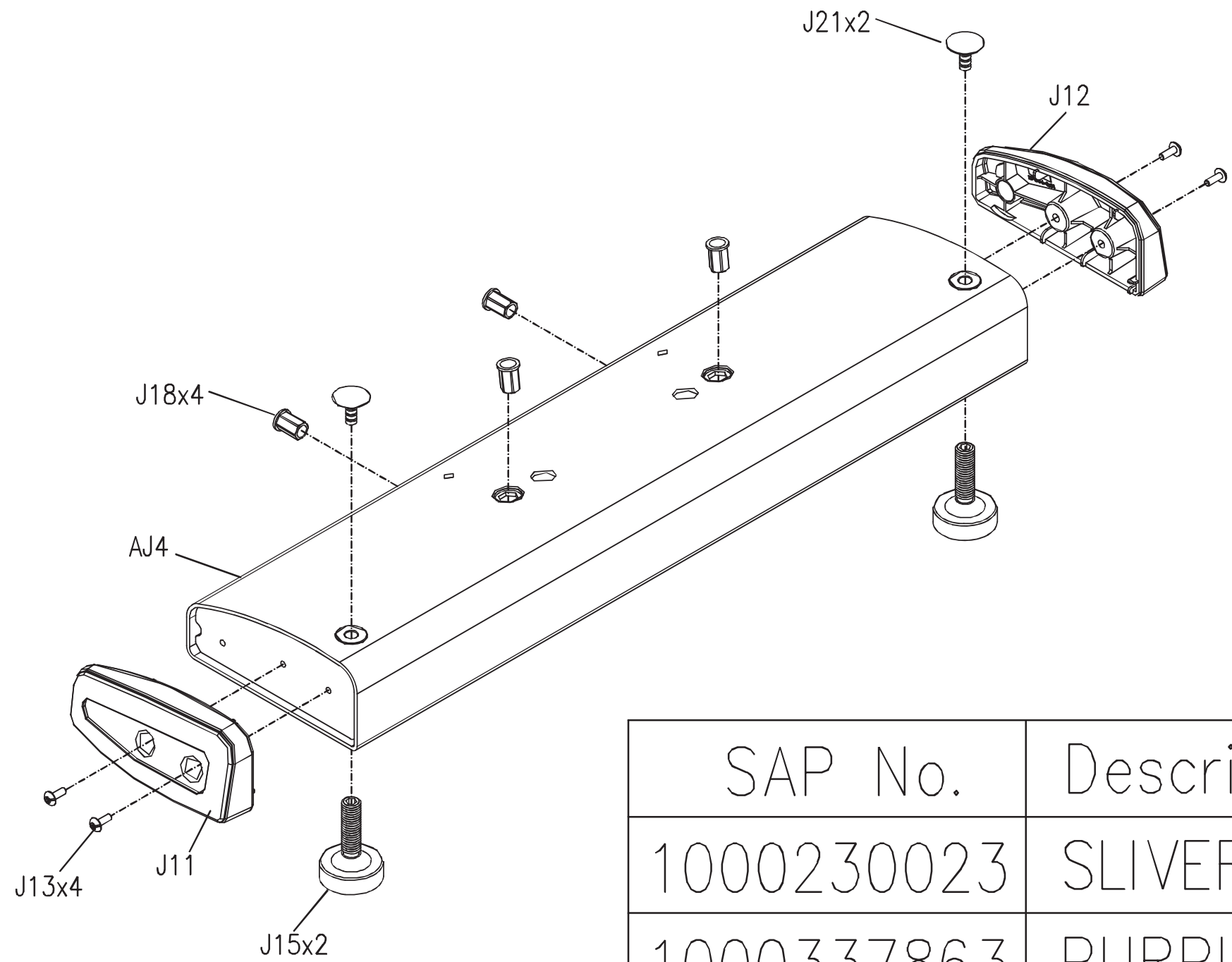


DRAWING NO	CB92-AJ5		
PART NAME	Stabilizer SET;F		
PART NO	See attached chart E		
APPROVE	JARVIS	DATE	20140416



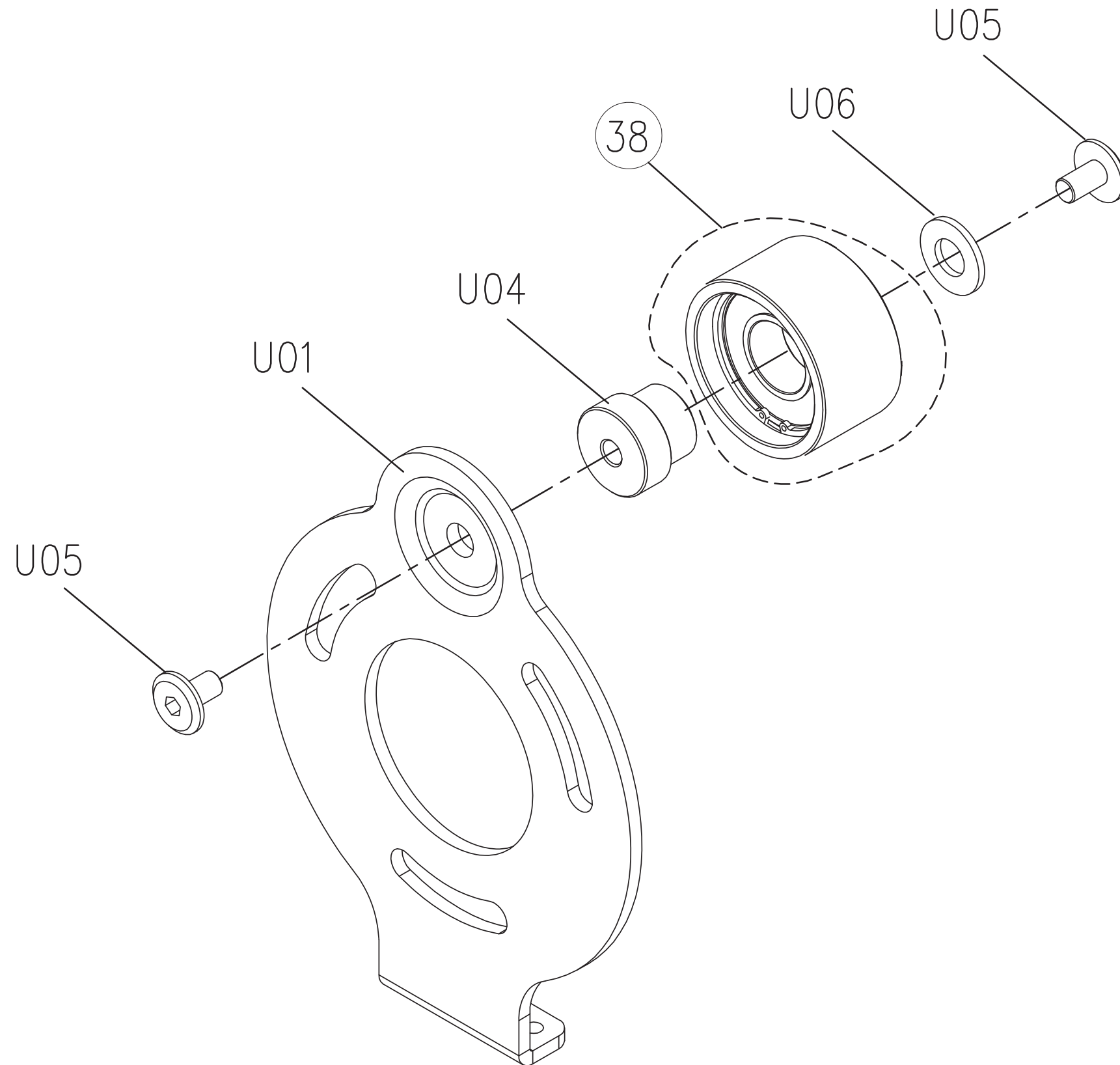
SAP No.	Description
1000230015	SLIVER
1000337860	PURPLE
1000338041	BLACK MATTE
1000346475	SUN ORANGE

DRAWING NO	CB92-AJ6		
PART NAME	Stabilizer SET;R		
PART NO	See attached chart		
APPROVE	JARVIS	DATE	20140416



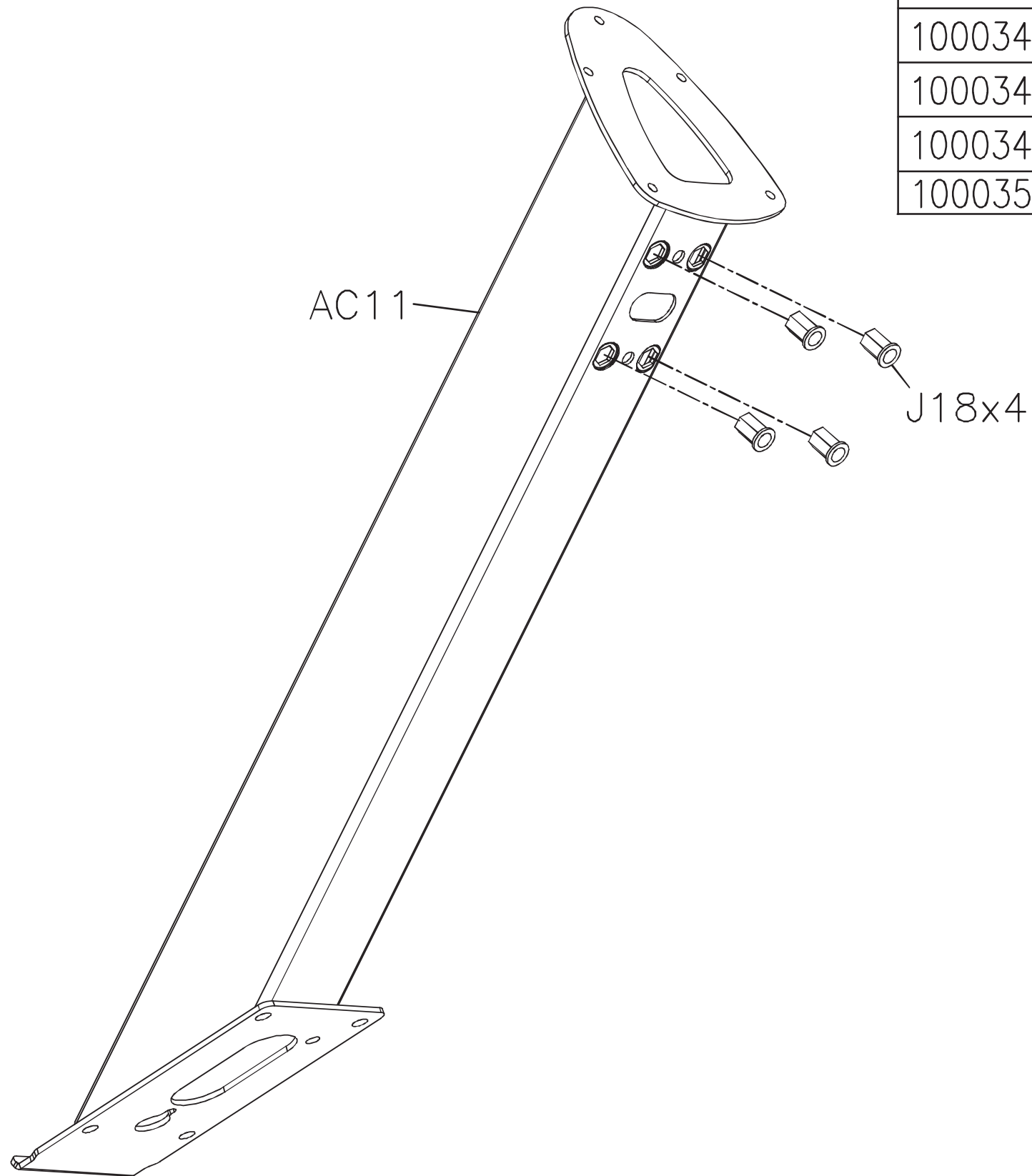
SAP No.	Description
1000230023	SLIVER
1000337863	PURPLE
1000338046	BLACK MATTE
1000346477	SUN ORANGE

DRAWING NO	CB92-AU3		
PART NAME	Idler Fix Plate Set		
PART NO	1000230354 ^R _B		
APPROVE	KEN	DATE	20121217

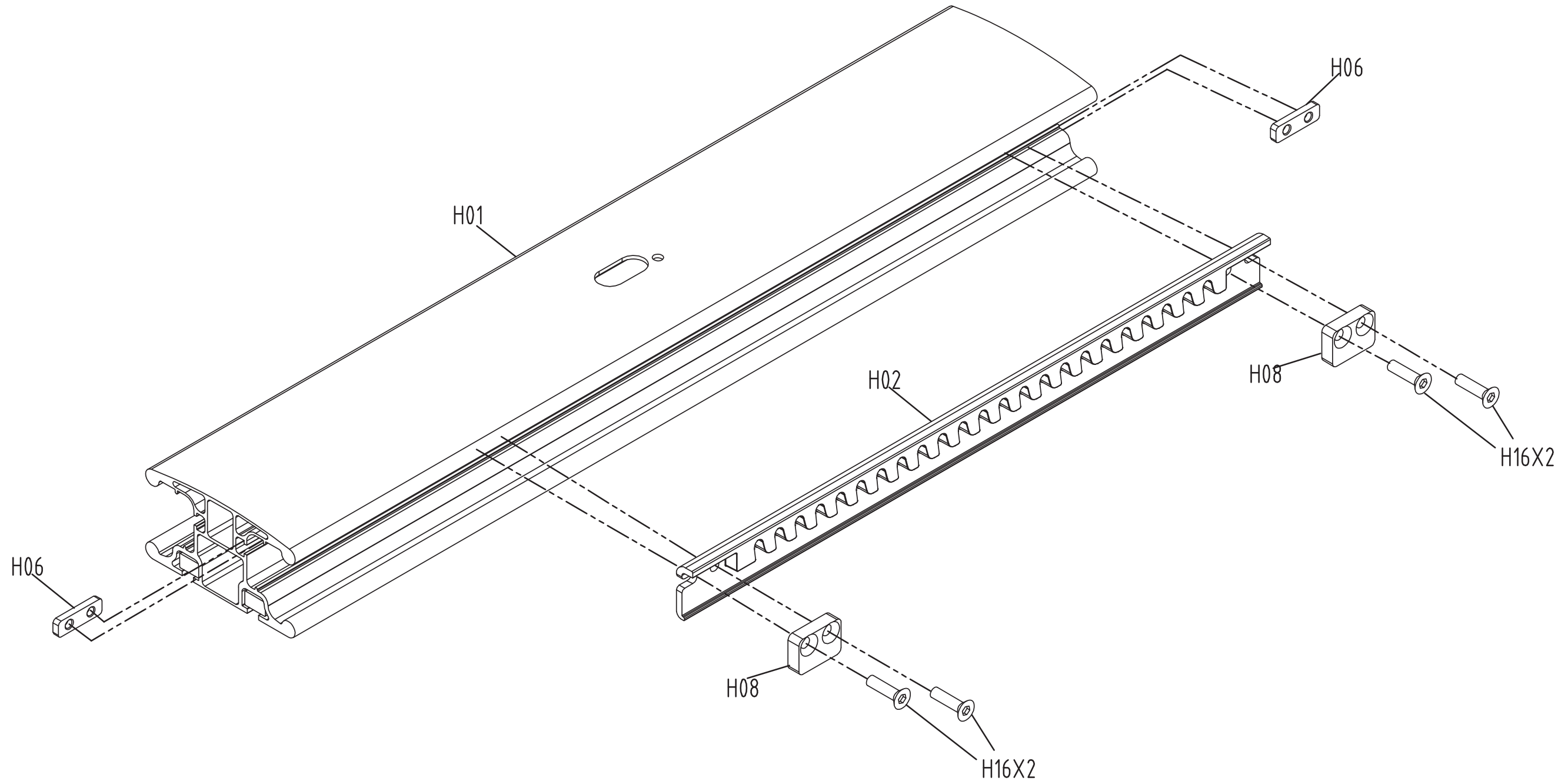


DRAWING NO	RB307-AC4		
PART NAME	CONSOLE MAST SET		
PART NO	See attached Chart 		
APPROVE	Eason	DATE	20141104

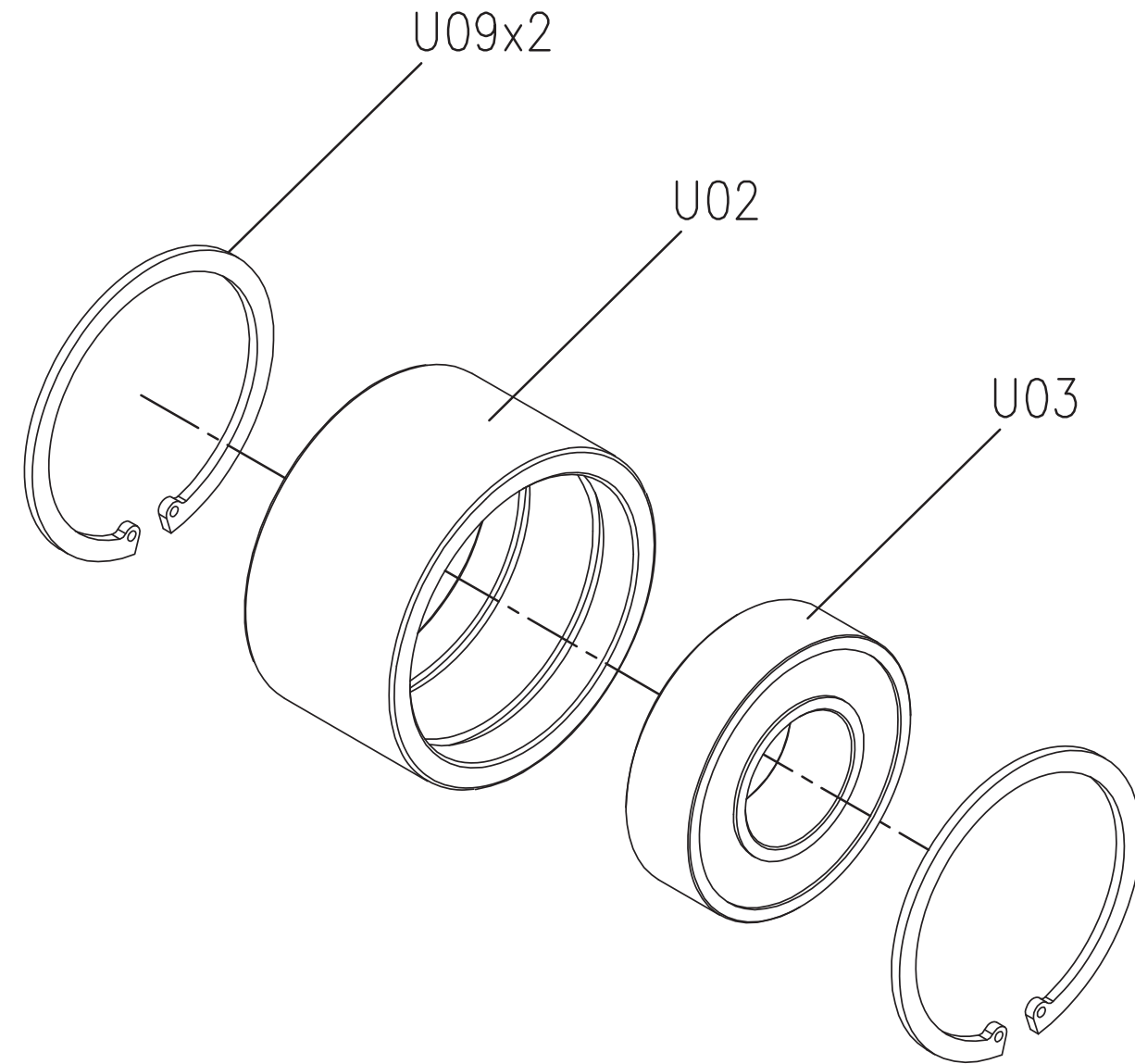
SAP No.	Description
1000230413	SILVER
1000337878	PURPLE (NO DECAL)
1000338058	BLACK MATTE
1000348887	BLACK MATTE(Fitness park)
1000348894	BLACK MATTE(Moving express)
1000348992	BLACK MATTE(Groupe moving)
1000355295	Red (Workout Anytime)



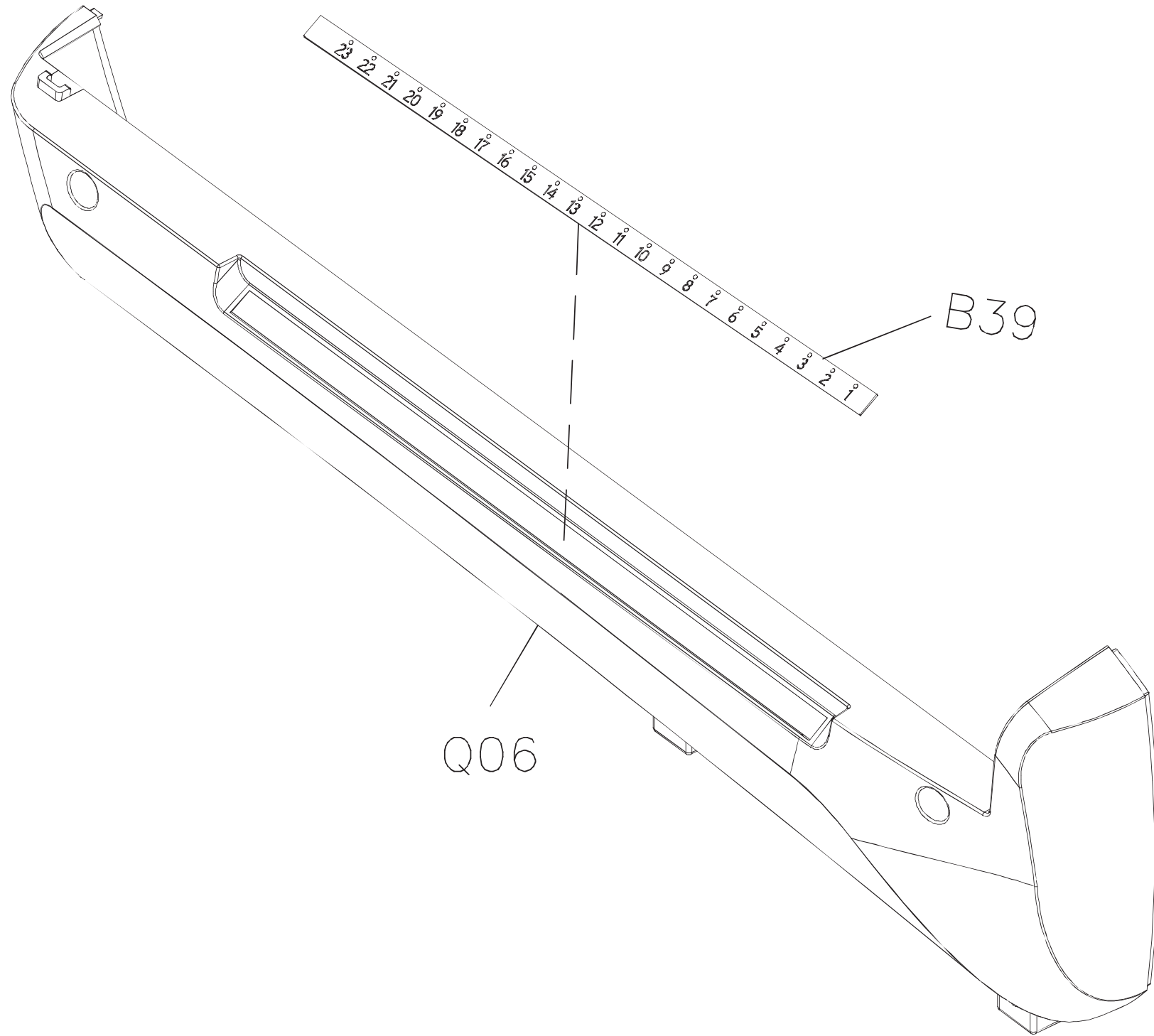
DRAWING NO	RB307-AH11		
PART NAME	Guide Rail Set		
PART NO	1000230429 ^R _D		
APPROVE	EASON	DATE	20130918



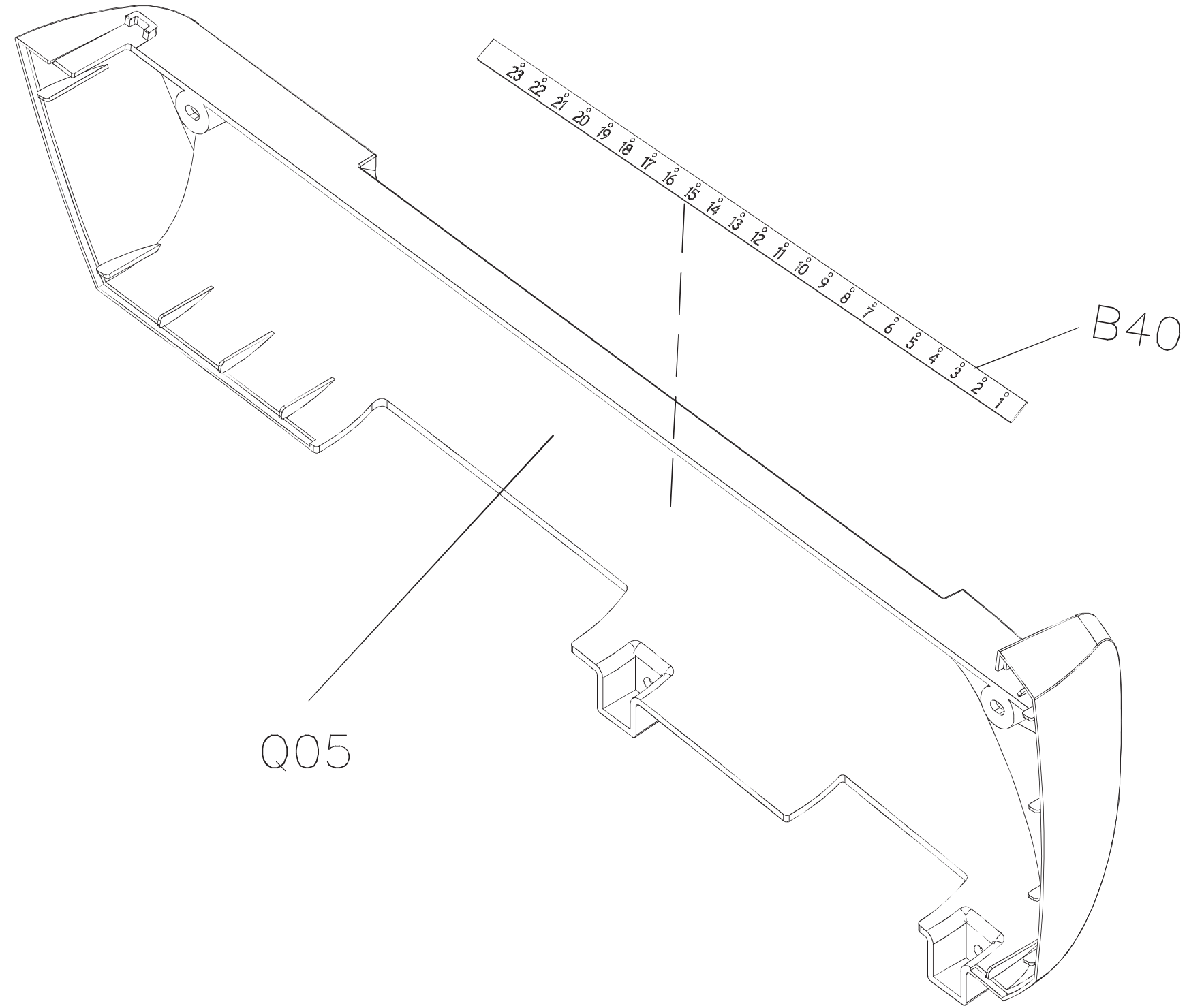
DRAWING NO	CB92-AU4		
PART NAME	Idler Set		
PART NO	1000307358	REV	B
APPROVE	KEN	DATE	20130116



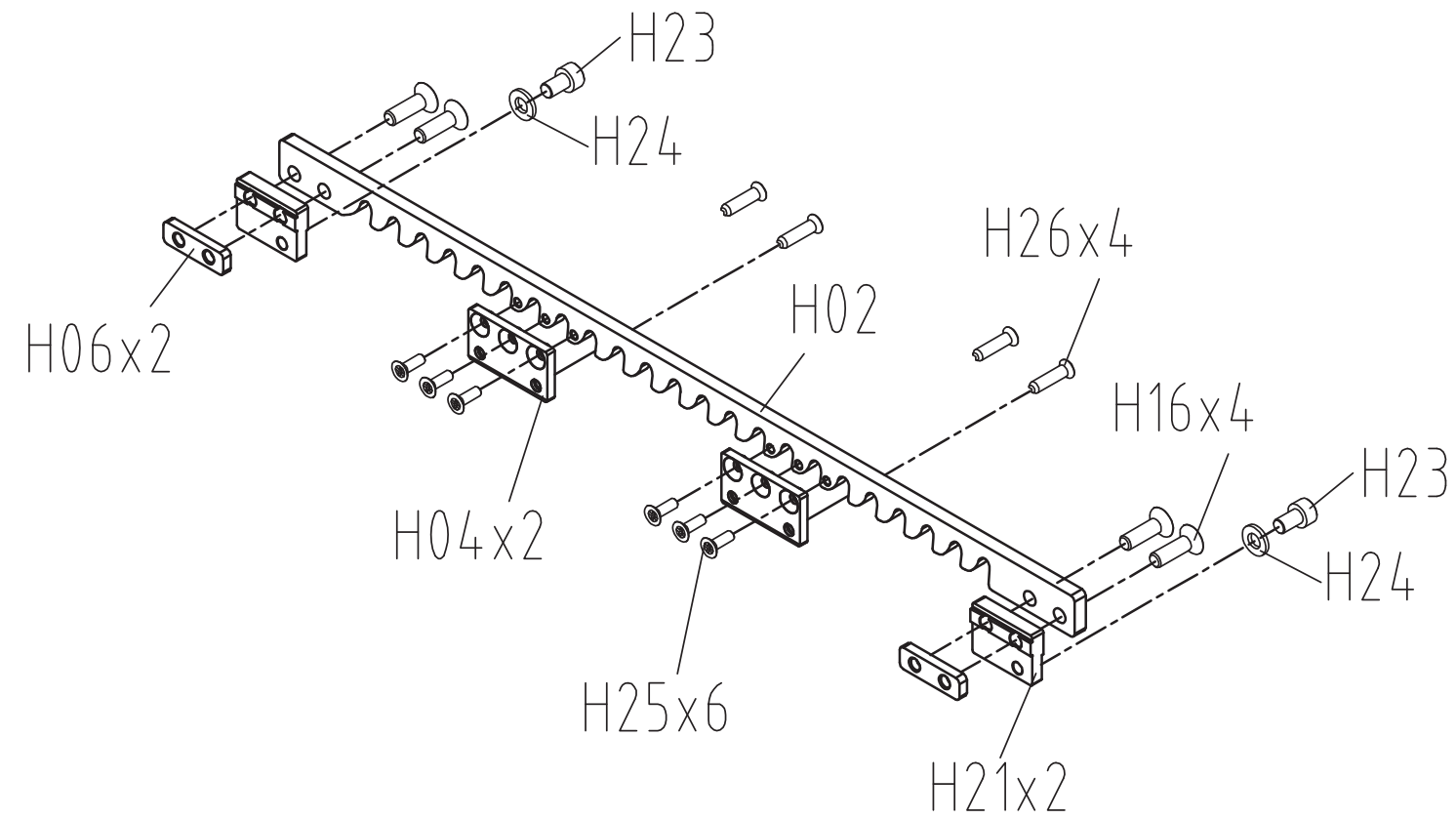
DRAWING NO	RB307-AQ3		
PART NAME	Right Guild Rail Cover Set		
PART NO	1000308337 <small>REV</small> B		
APPROVE	EASON	DATE	20130205



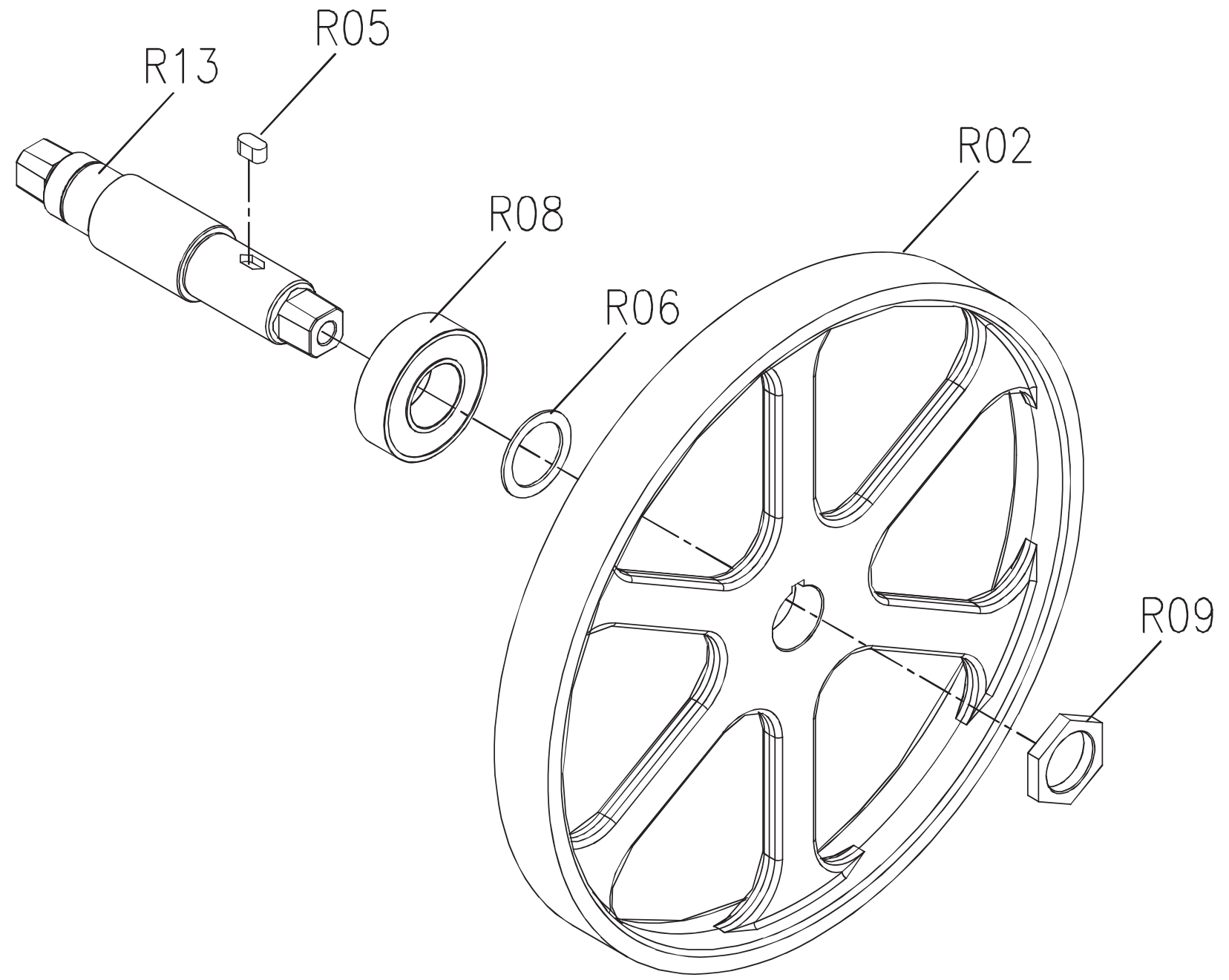
DRAWING NO	RB307-AQ4		
PART NAME	Left Guild Rail Cover Set		
PART NO	1000308338 ^R _B		
APPROVE	EASON	DATE	20130205



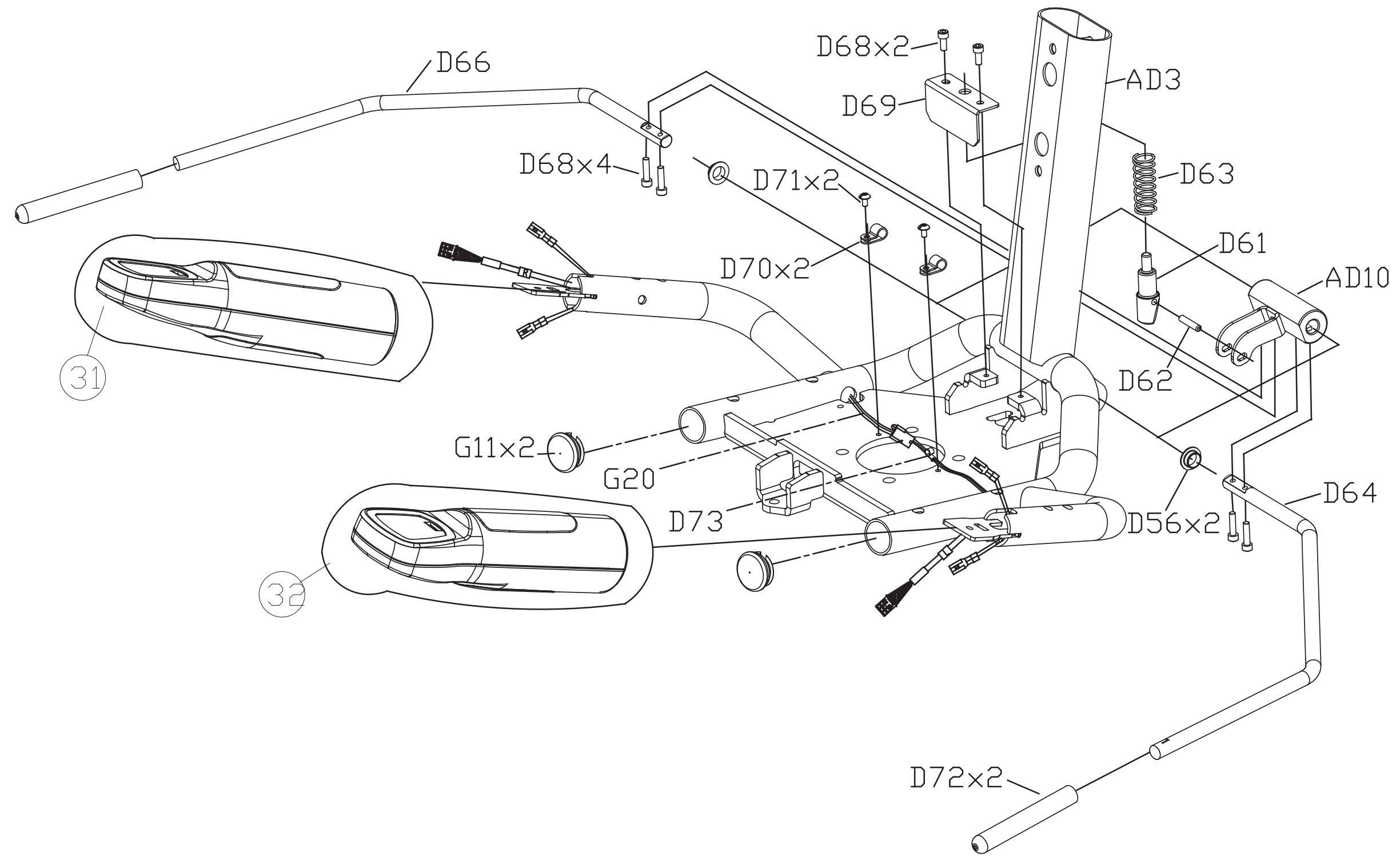
DRAWING NO	RB307-AH12		
PART NAME	Guide Rail Set		
PART NO	1000333907 ^R _B		
APPROVE	EASON	DATE	20130911



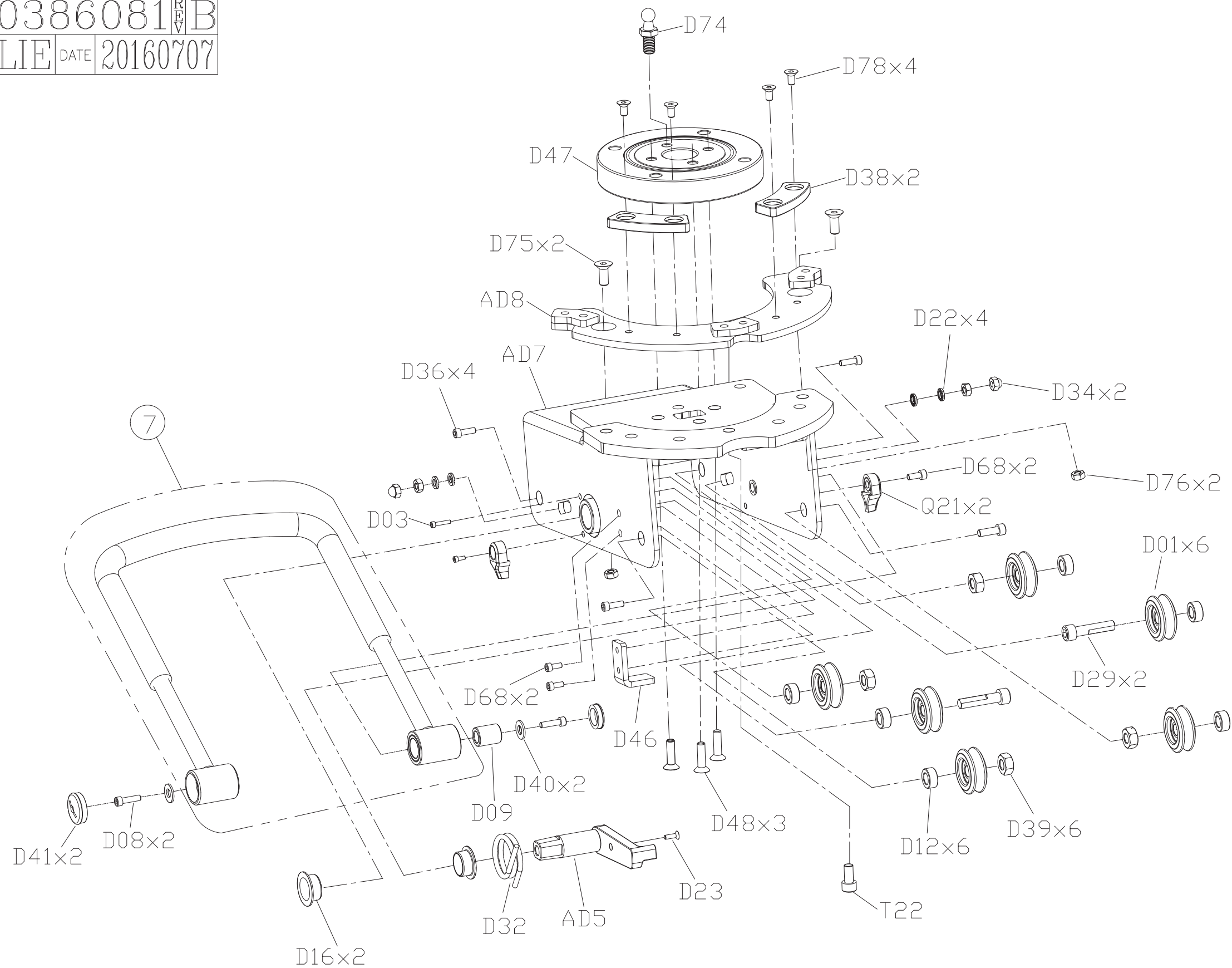
DRAWING NO	CB93-AR21		
PART NAME	Transmission Set		
PART NO	1000346721 <small>REV</small> B		
APPROVE	KEN	DATE	20140408



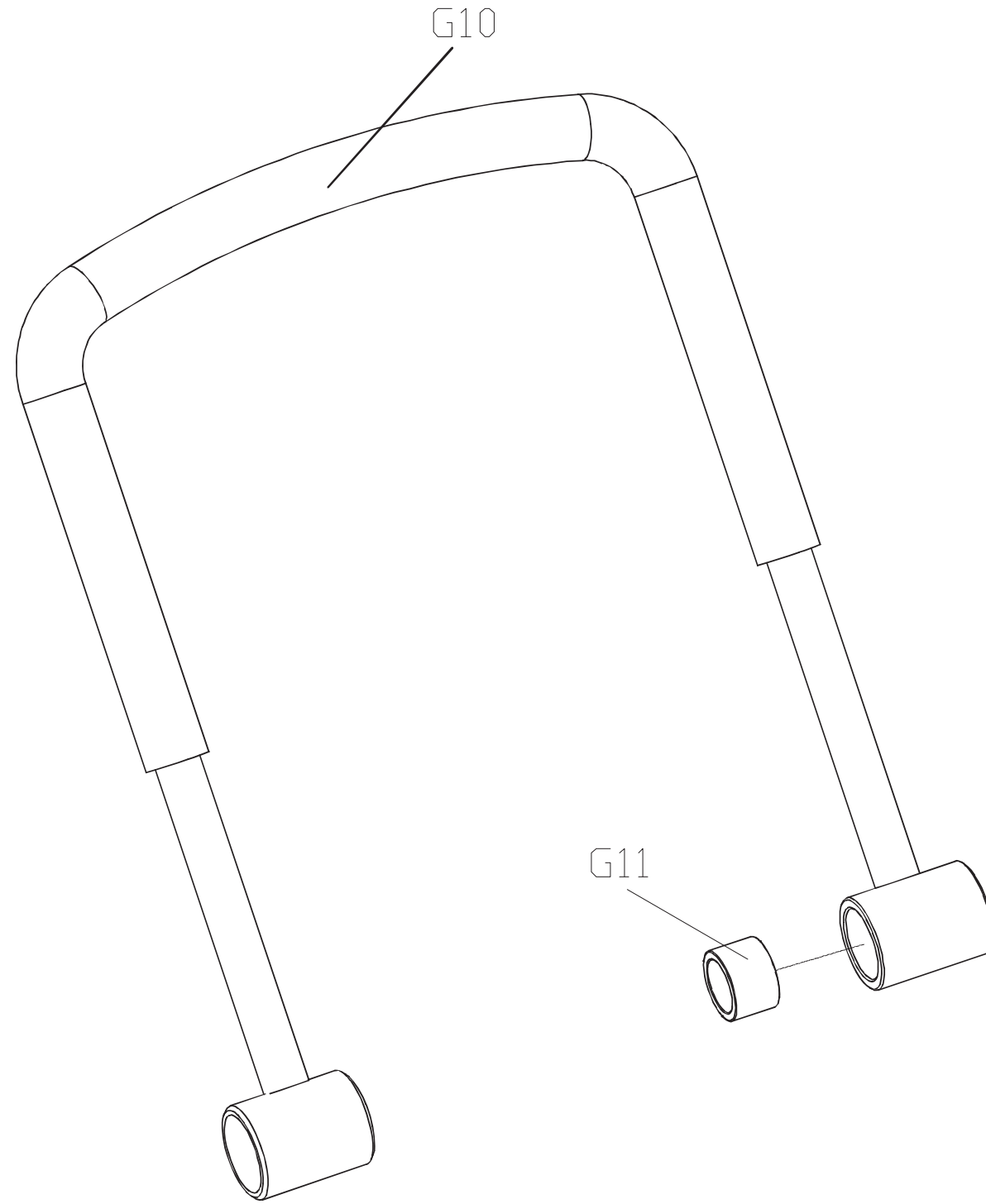
DRAWING NO	RB314-AD1		
PART NAME	SEAT SET		
PART NO	1000386055 REV E		
APPROVE	AMELIE	DATE	20170811



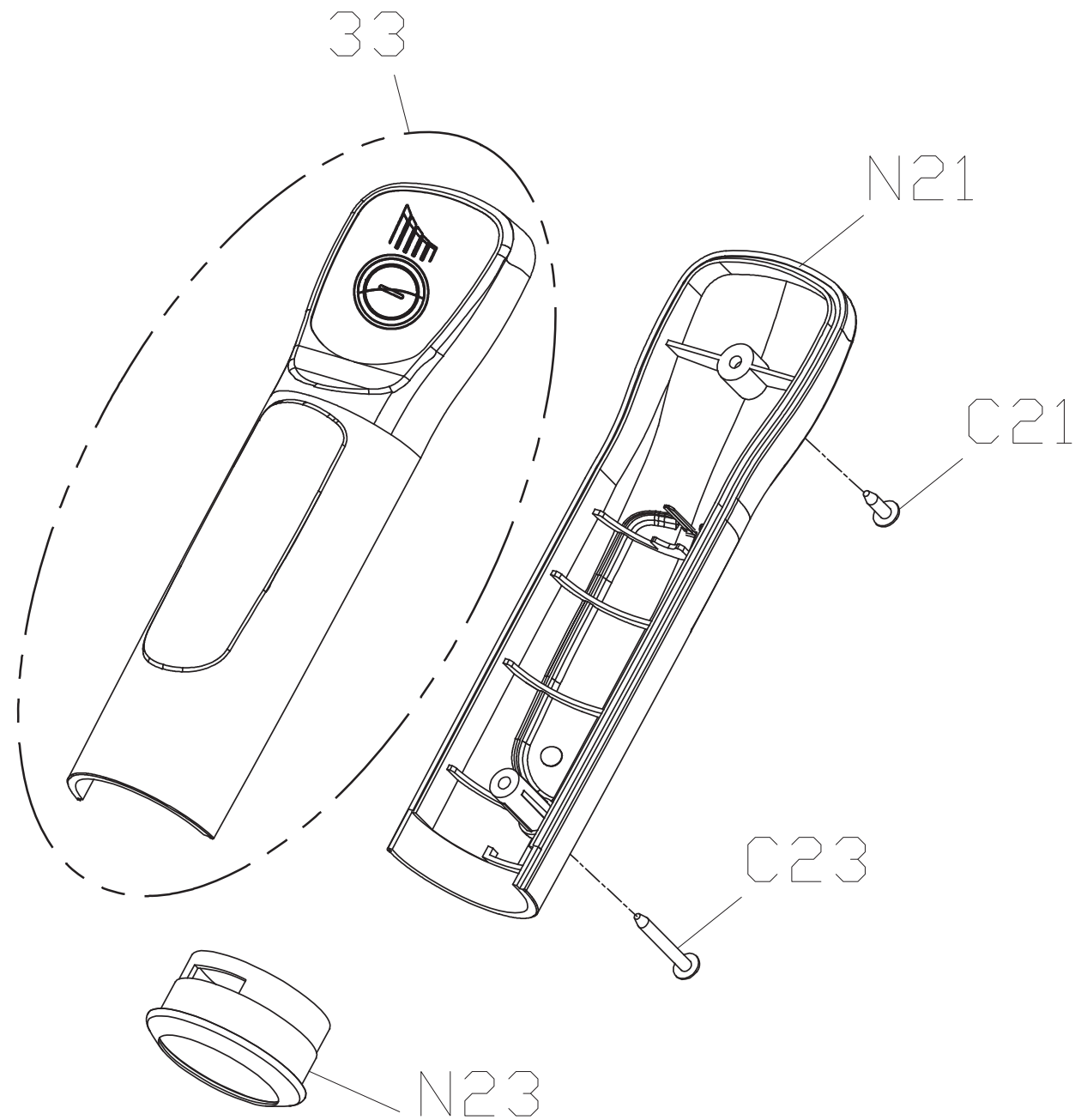
DRAWING NO	RB314-AD2		
PART NAME	SEAT SLIDE SET		
PART NO	1000386081 ^{REV} B		
APPROVE	AMELIE	DATE	20160707



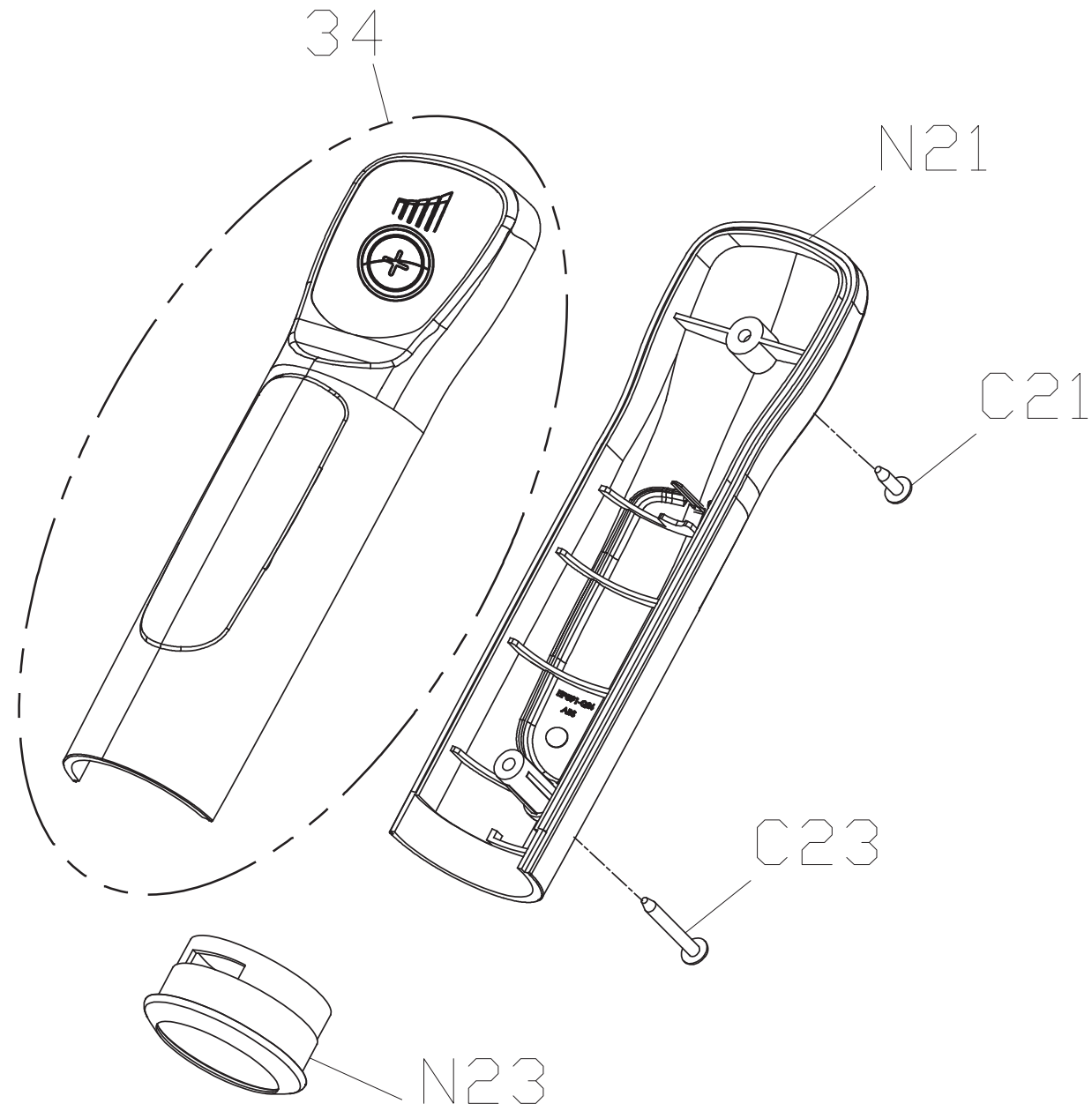
DRAWING NO	RB314-AG11		
PART NAME	ADJ HANDLE GROUP		
PART NO	1000386082 ^R / _B		
APPROVE	AMELIE	DATE	20160707



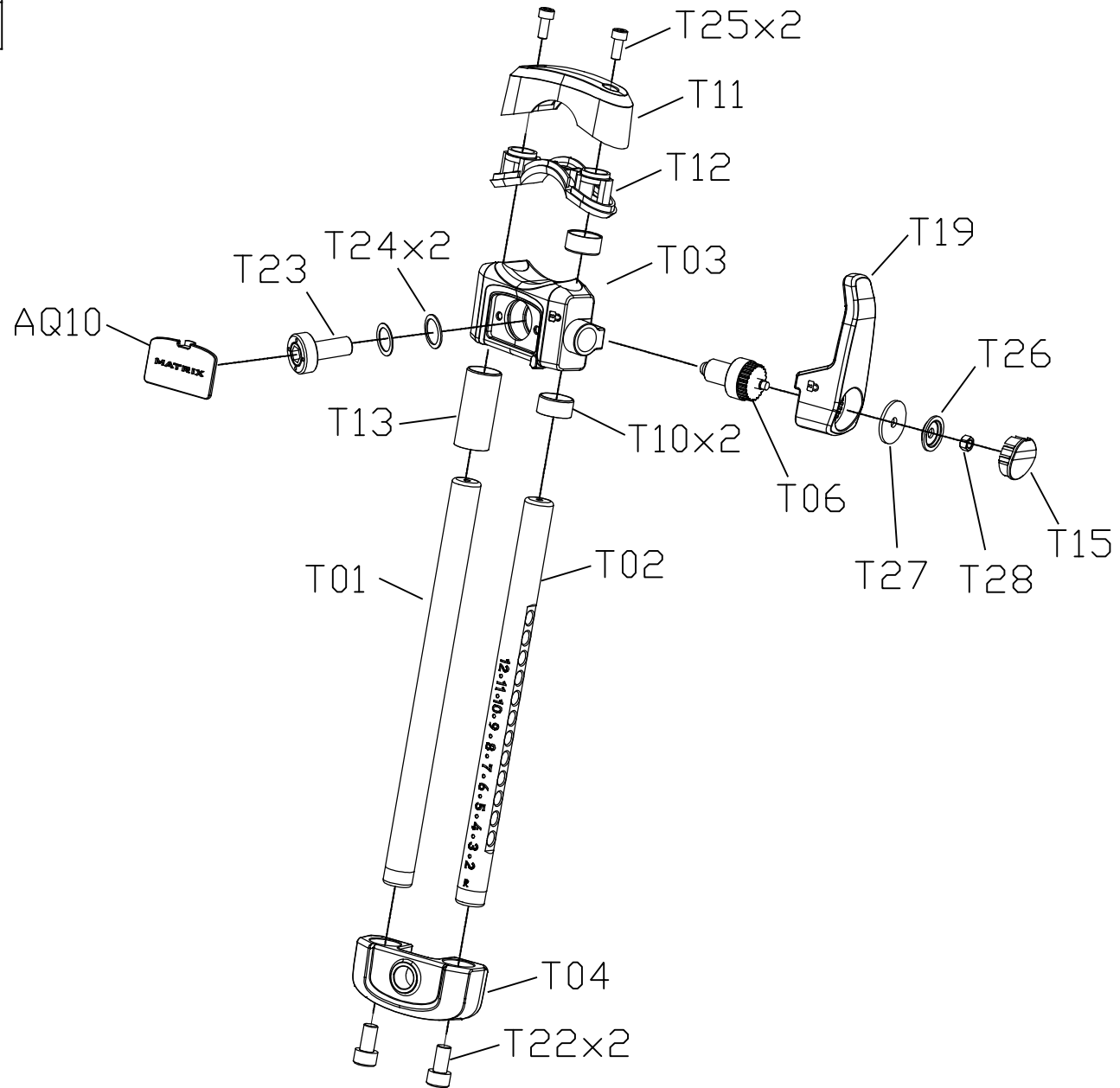
DRAWING NO	RB315-AG7		
PART NAME	Hand Pulse Grip Set;;left		
PART NO	1000412368	REV	B
APPROVE	Heady	DATE	20170811



DRAWING NO	RB315-AG8		
PART NAME	Hand Pulse Grip Set;;right		
PART NO	1000412372 B		
APPROVE	Heady	DATE	20170811



DRAWING NO	RB314-AT11		
PART NAME	CRANK SET;RIGHT		
PART NO	1000386098 R/D		
APPROVE	AMELIE	DATE	20161012



DRAWING NO	RB314-AT12		
PART NAME	CRANK SET;LEFT		
PART NO	1000386109	REV	D
APPROVE	AMELIE	DATE	20161012

