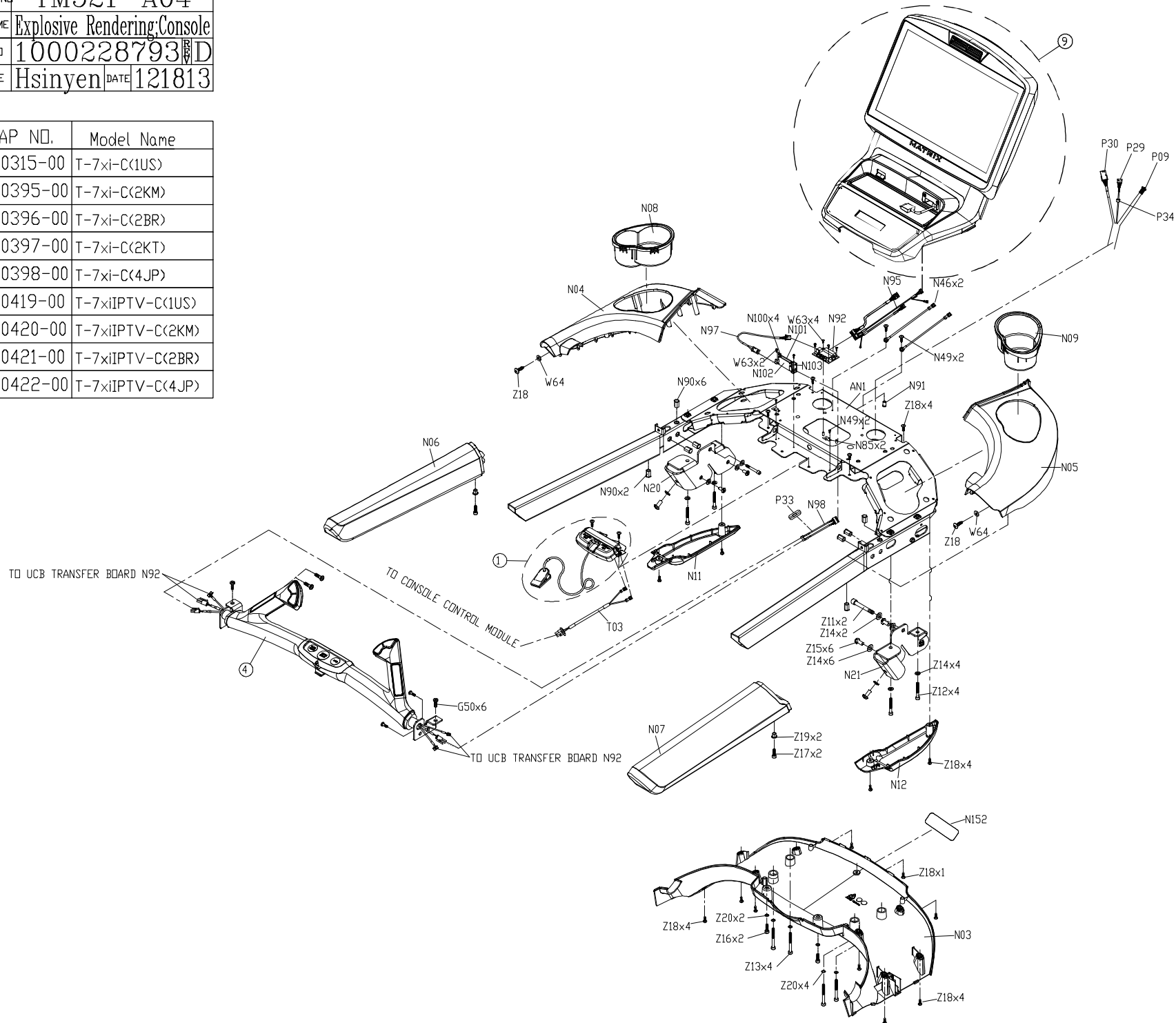
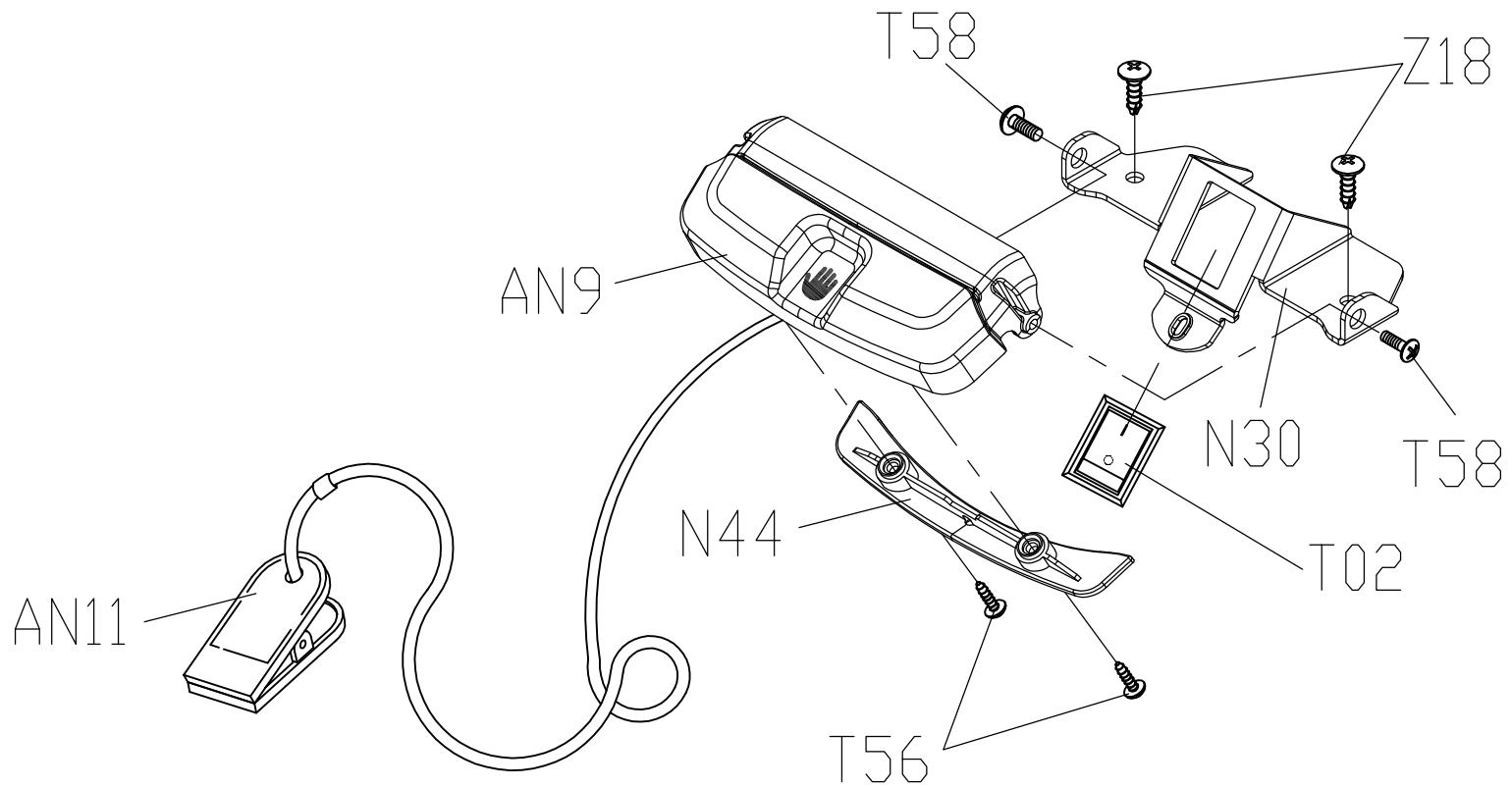


DRAWING NO	TM521-A04
PART NAME	Explosive Rendering Console
PART NO	1000228793 D
APPROVE	Hsinyen DATE 121813

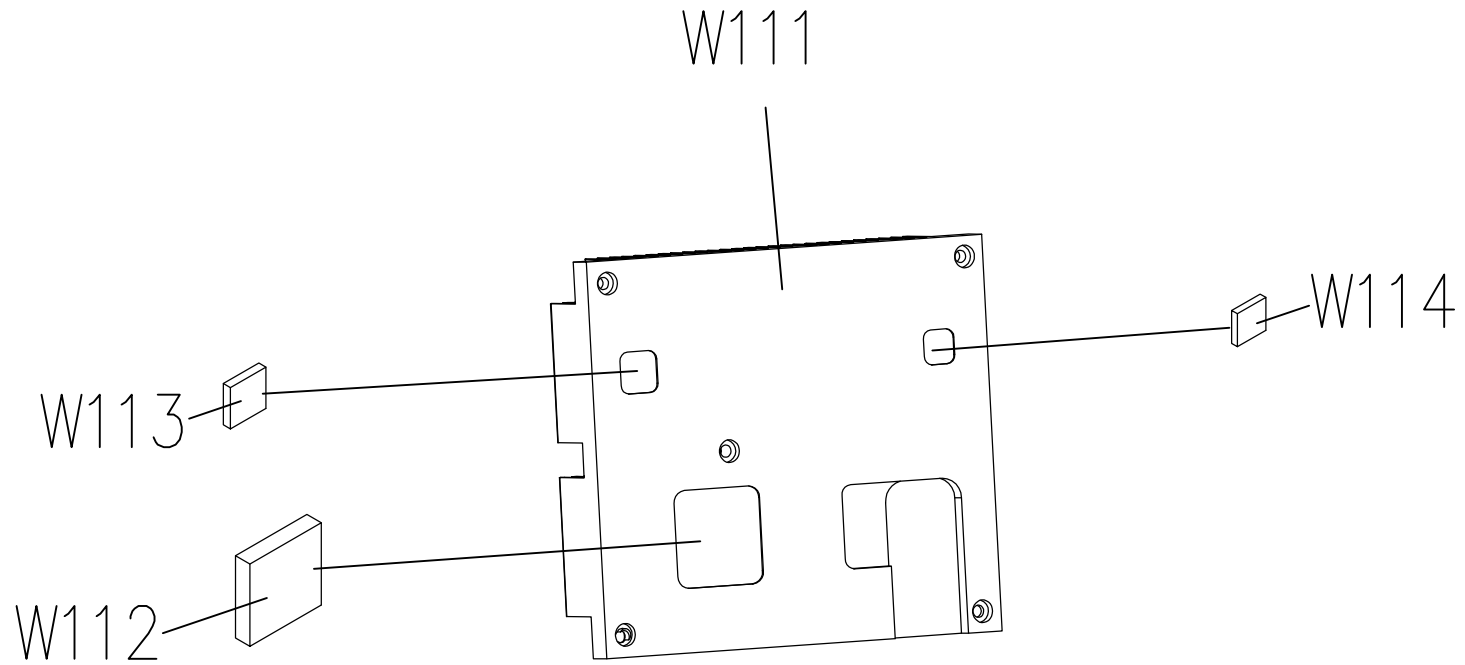
SAP NO.	Model Name
MTM0315-00	T-7xi-C(1US)
MTM0395-00	T-7xi-C(2KM)
MTM0396-00	T-7xi-C(2BR)
MTM0397-00	T-7xi-C(2KT)
MTM0398-00	T-7xi-C(4JP)
MTM0419-00	T-7xiIPTV-C(1US)
MTM0420-00	T-7xiIPTV-C(2KM)
MTM0421-00	T-7xiIPTV-C(2BR)
MTM0422-00	T-7xiIPTV-C(4JP)



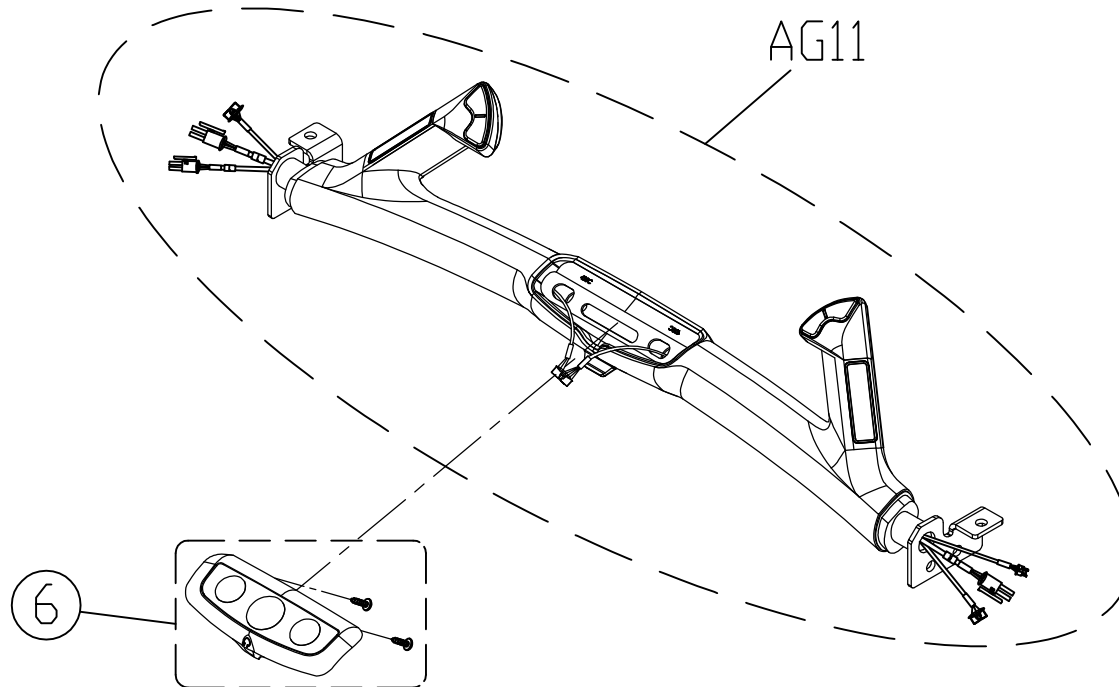
DRAWING NO	TM501-AT6		
PART NAME	SAFETY KEY SET		
PART NO	1000233602  B		
APPROVE	S.T.C	DATE	083112



DRAWING NO	TM521-W116
PART NAME	Heat Sink Set
PART NO	1000332751B
APPROVE	Hsinyen
DATE	090413

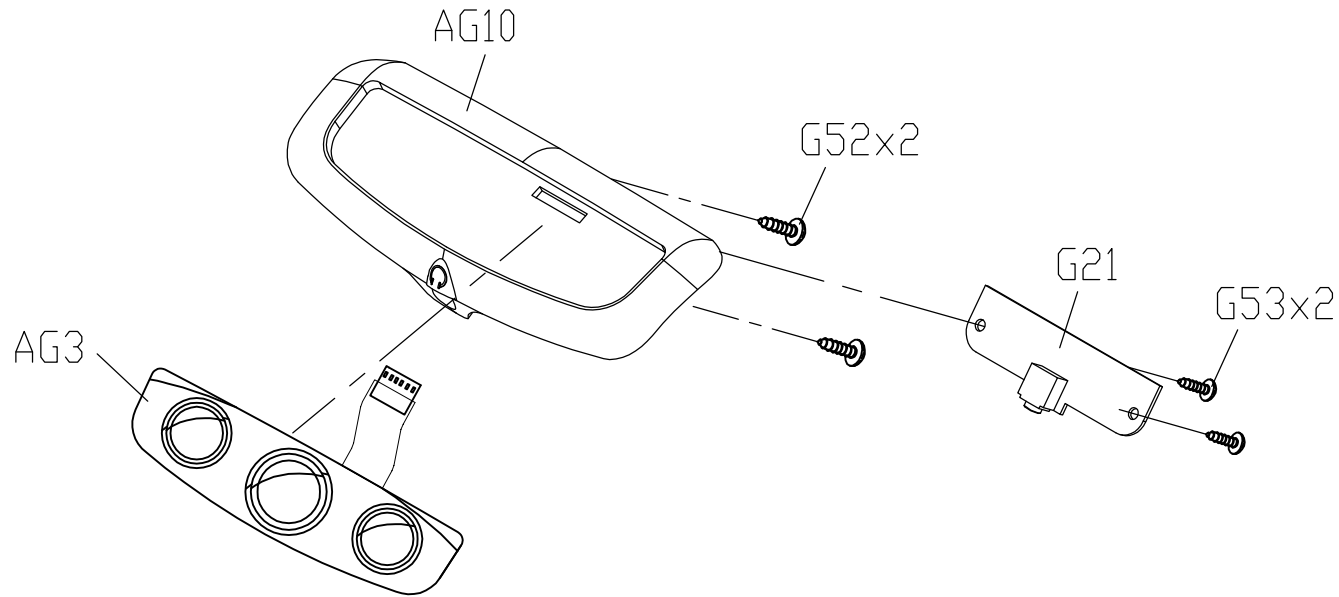


DRAWING NO	TM520-AG21		
PART NAME	Handlebar Set		
PART NO	As Attachment		
APPROVE	SHUYI	DATE	053013



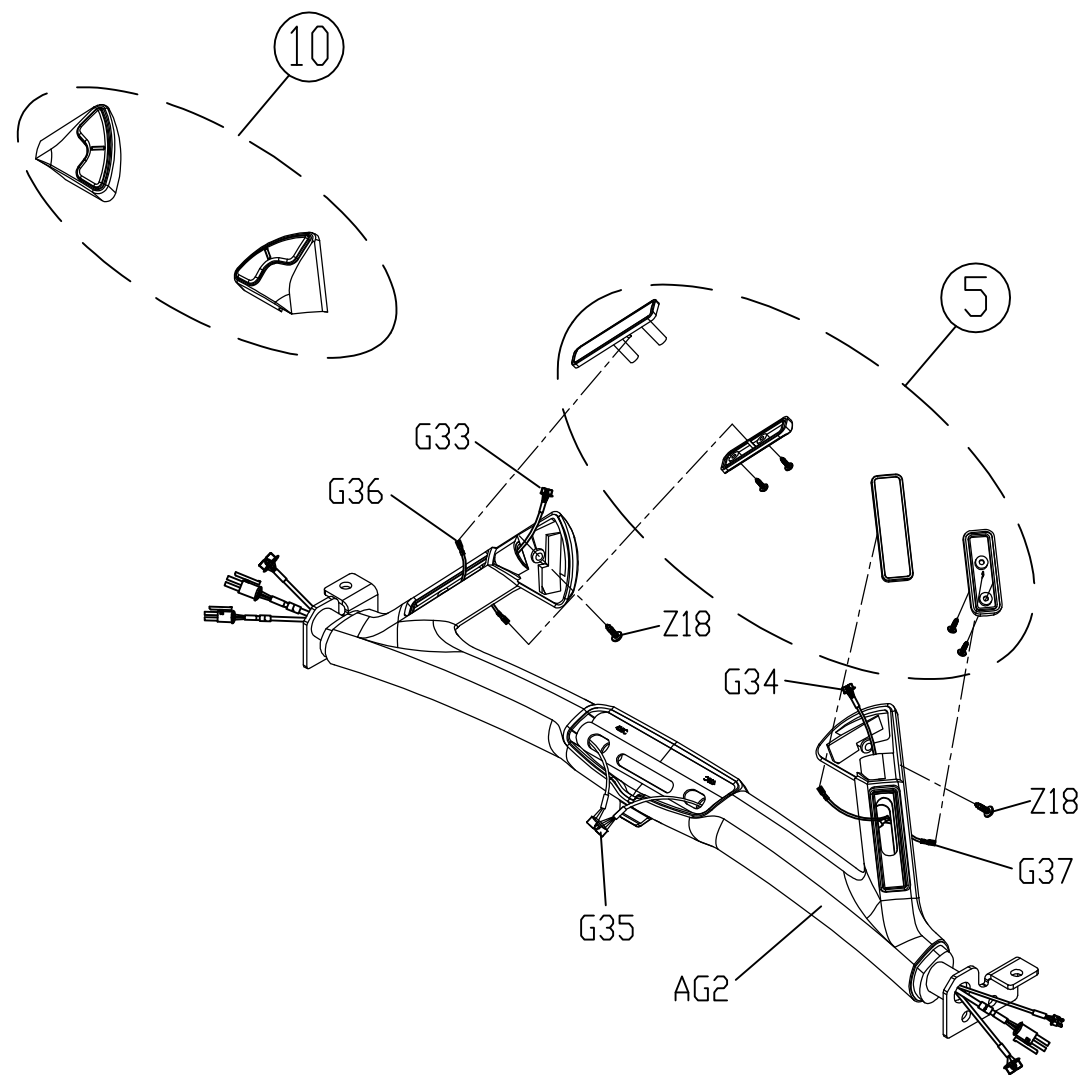
Part NO	Description
1000228703	Handlebar Set;English
1000303220	Handlebar Set;Japan
1000319947	Handlebar Set;Brazil

DRAWING NO	TM520-AG12		
PART NAME	Quick Start Overlay Set		
PART NO	As Attachment  C		
APPROVE	SHUYI	DATE	053013

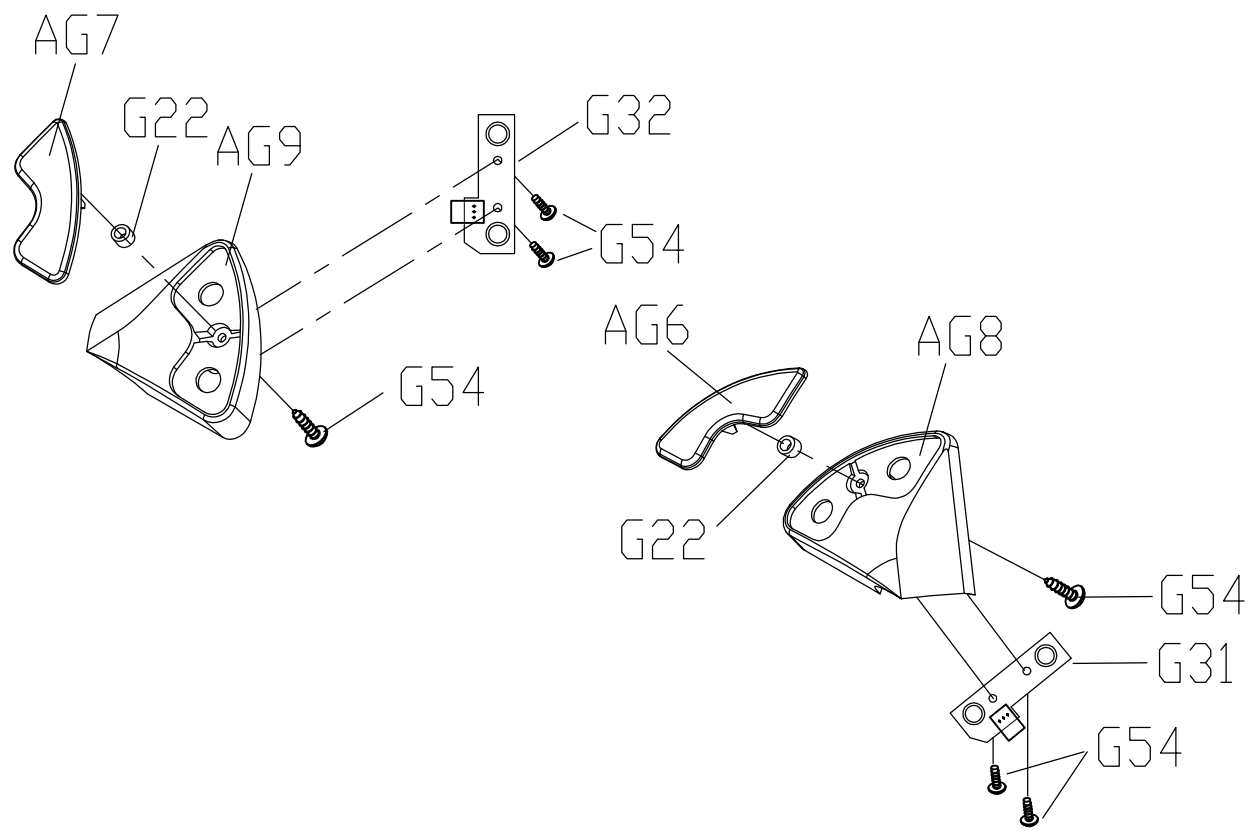


Part NO	Description
1000228679	ES/MS;English;T-7xe-04-C
1000303221	ES/MS;Japan;T-7xe-04-C
1000319948	MS;Portuguese;T-7xe-04-C

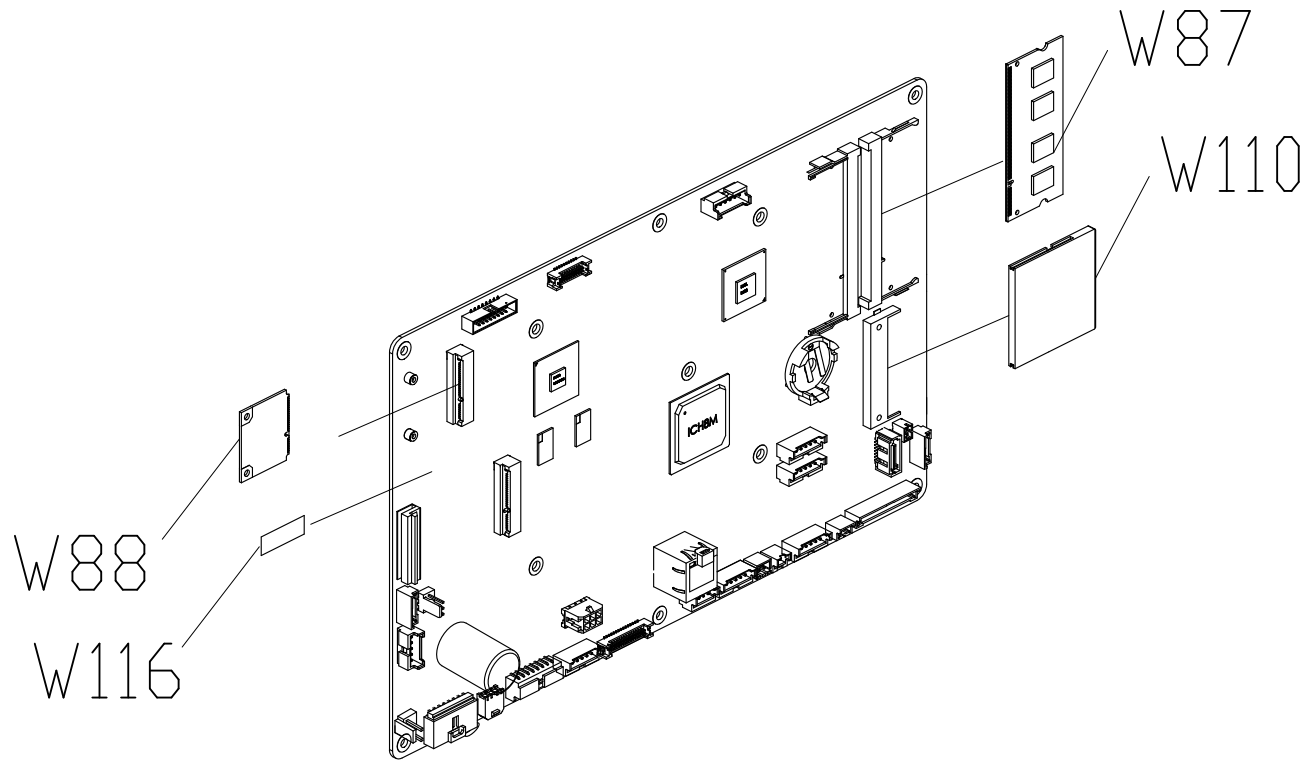
DRAWING NO	TM502-AG11		
PART NAME	Handlebar Set		
PART NO	1000207642		
APPROVE	SHUYI	DATE	030111



DRAWING NO	TM502-AG12		
PART NAME	Quick Key Set		
PART NO	0000089687		
APPROVE	SHUYI	DATE	101211



DRAWING NO	TM521-W30		
PART NAME	Control Board Set		
PART NO	1000228790	RF	F
APPROVE	Hsinyen	DATE	040814



DRAWING NO	EP614-AW51		
PART NAME	TV STICK SET		
PART NO	1000306358  B		
APPROVE	Hsinyen	DATE	051313

