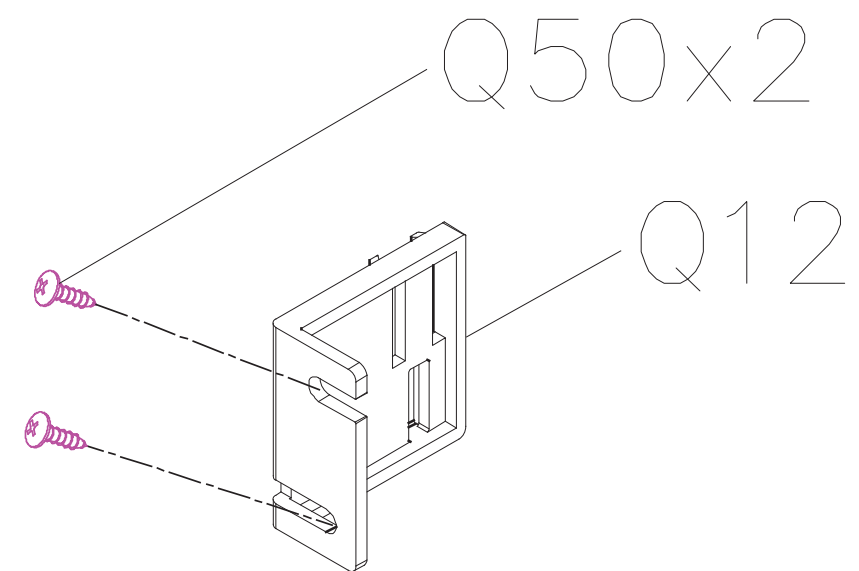
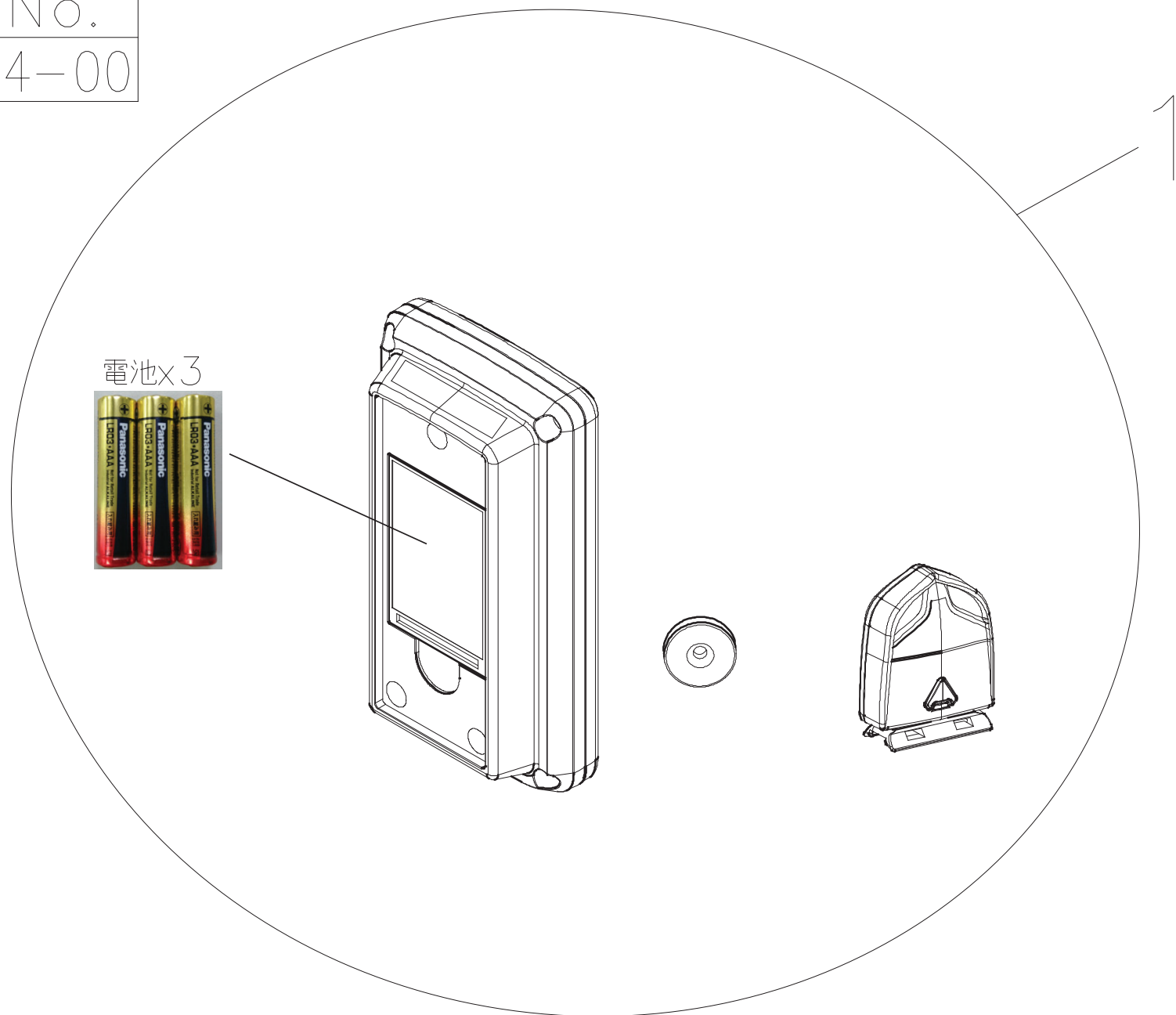


DRAWING NO	FC25-A04		
PART NAME	Console Set;Assembly Drawing		
PART NO	1000404733	REV	D
APPROVE	Sunny	DATE	013018

SAP No.
MFC0044-00



DRAWING NO	FC25-AN1		
PART NAME	Console set		
PART NO	1000404736	$\frac{R}{V}$	B
APPROVE	Sunny	DATE	082417

