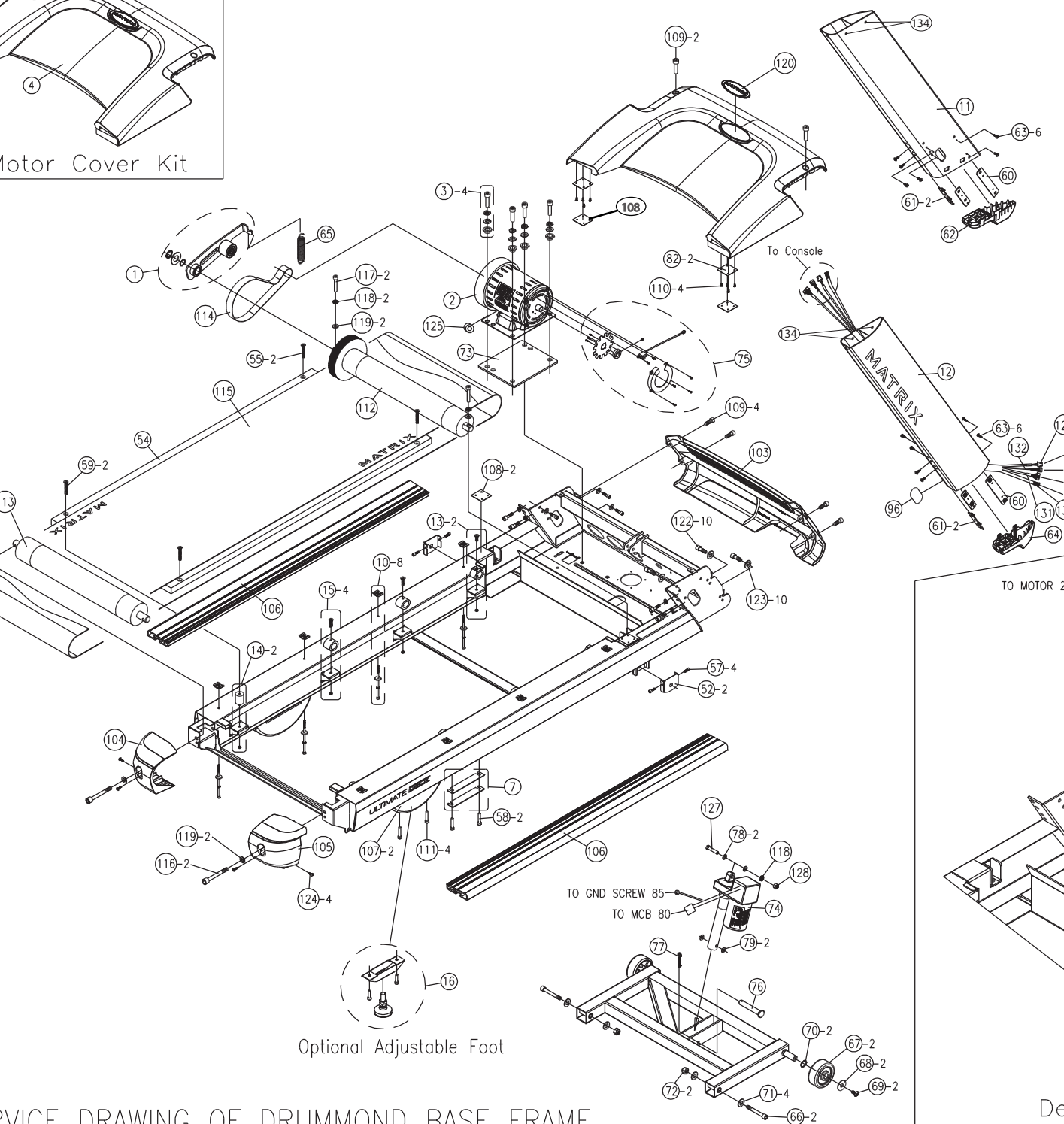
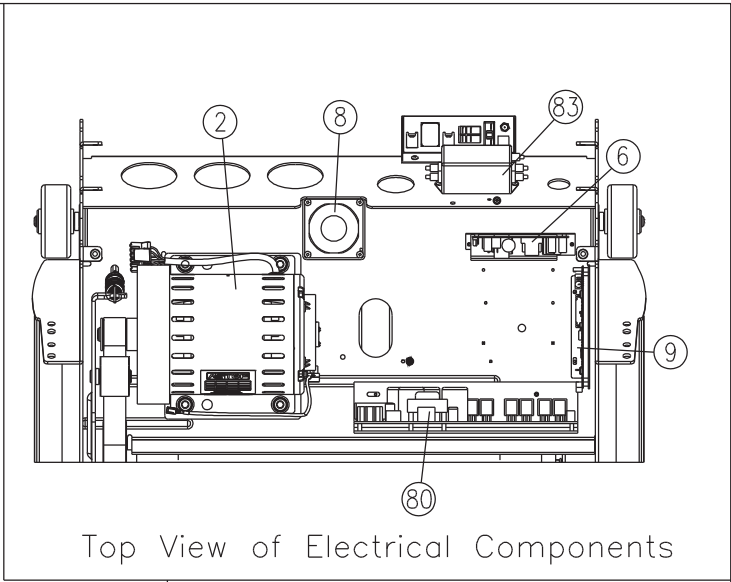


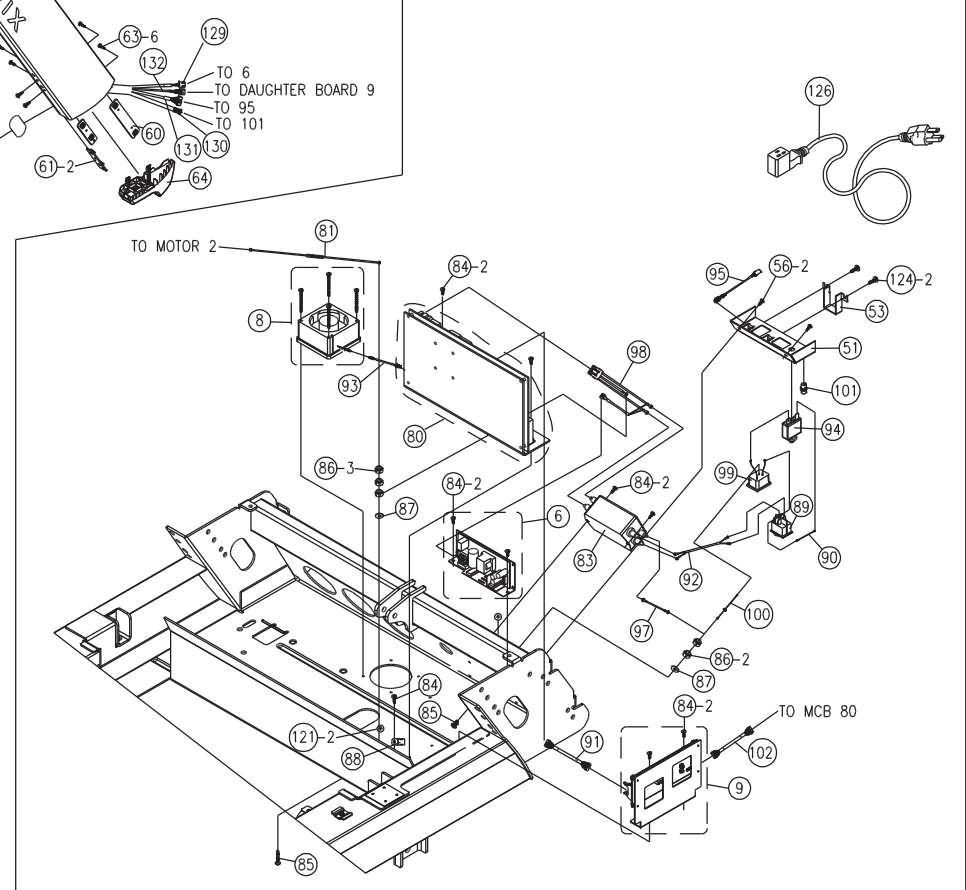
Motor Cover Kit



Optional Adjustable Foot




Top View of Electrical Components



Detail View of Electrical Components

EXPLODED VIEW DRAWING OF DRUMMOND BASE FRAME

DRAWING NO	TM501-AM20		
PART NAME	MCB Set		
PART NO	1000206899  A		
APPROVE	Dick	DATE	09.24.10

