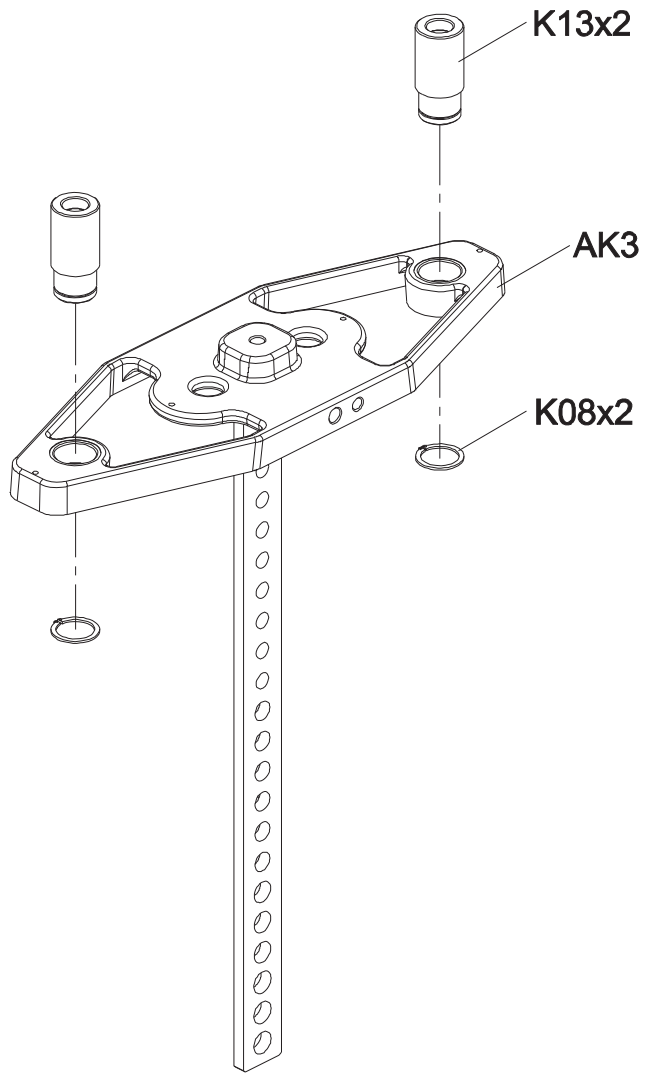
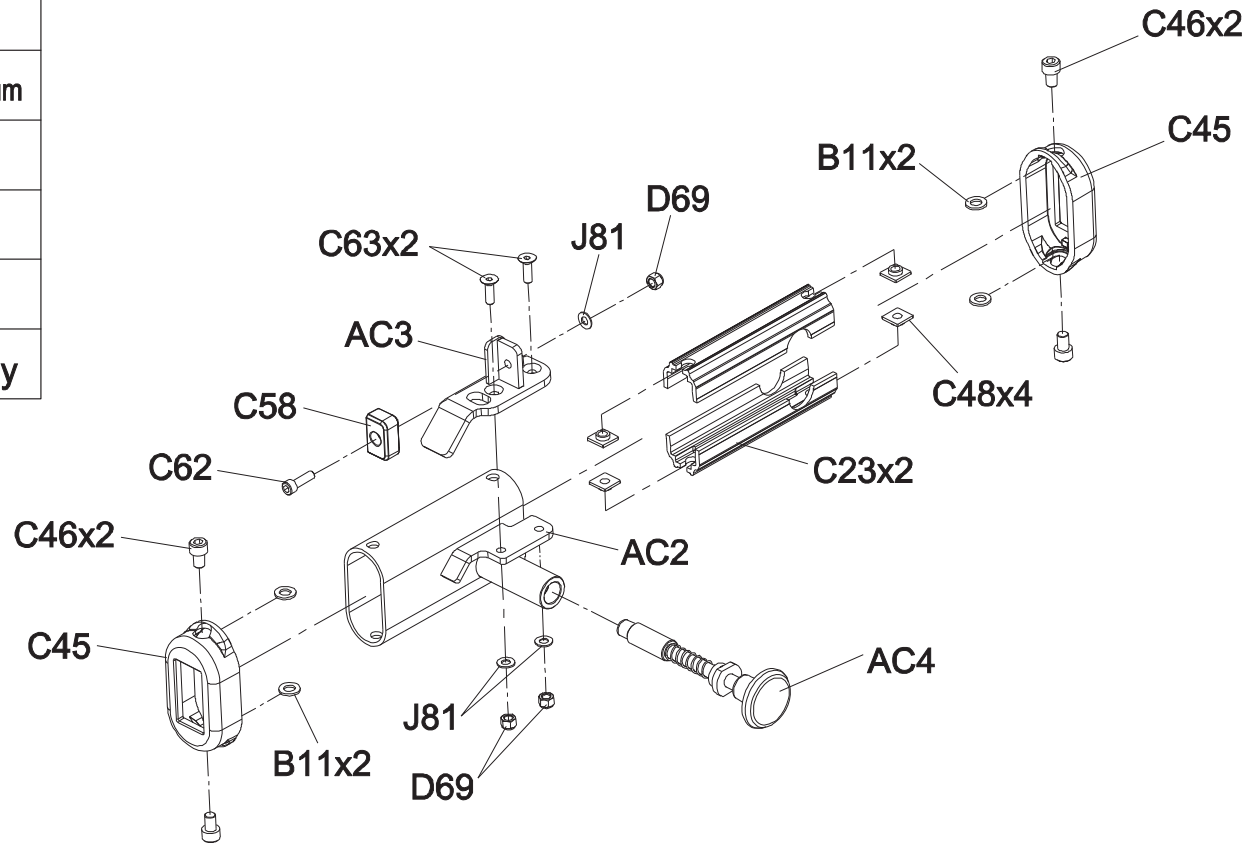


DRAWING NO	GM108-AK2		
PART NAME	UP Weight Plate Set		
PART NO	1000396435	REV	A
APPROVE	Zero	DATE	12.18.2017



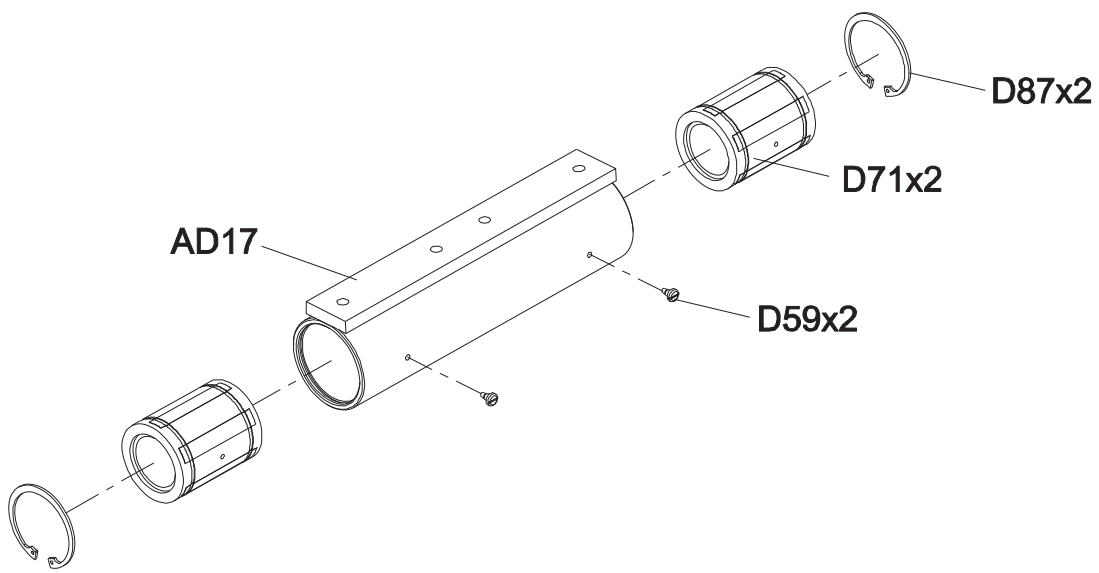
DRAWING NO	GM108-SF01		
PART NAME	Adjustment Pin Set ; Assembling		
PART NO	See Chart	REV	A
APPROVE	Zero	DATE	12.26.2017

Part NO.	Color
1000420434	Iced Sliver
1000420435	Platinum
1000420437	Polarized Titanium
1000420438	Lace White
1000420439	Pearl White
1000420441	Black Matte
1000420442	Black Glossy



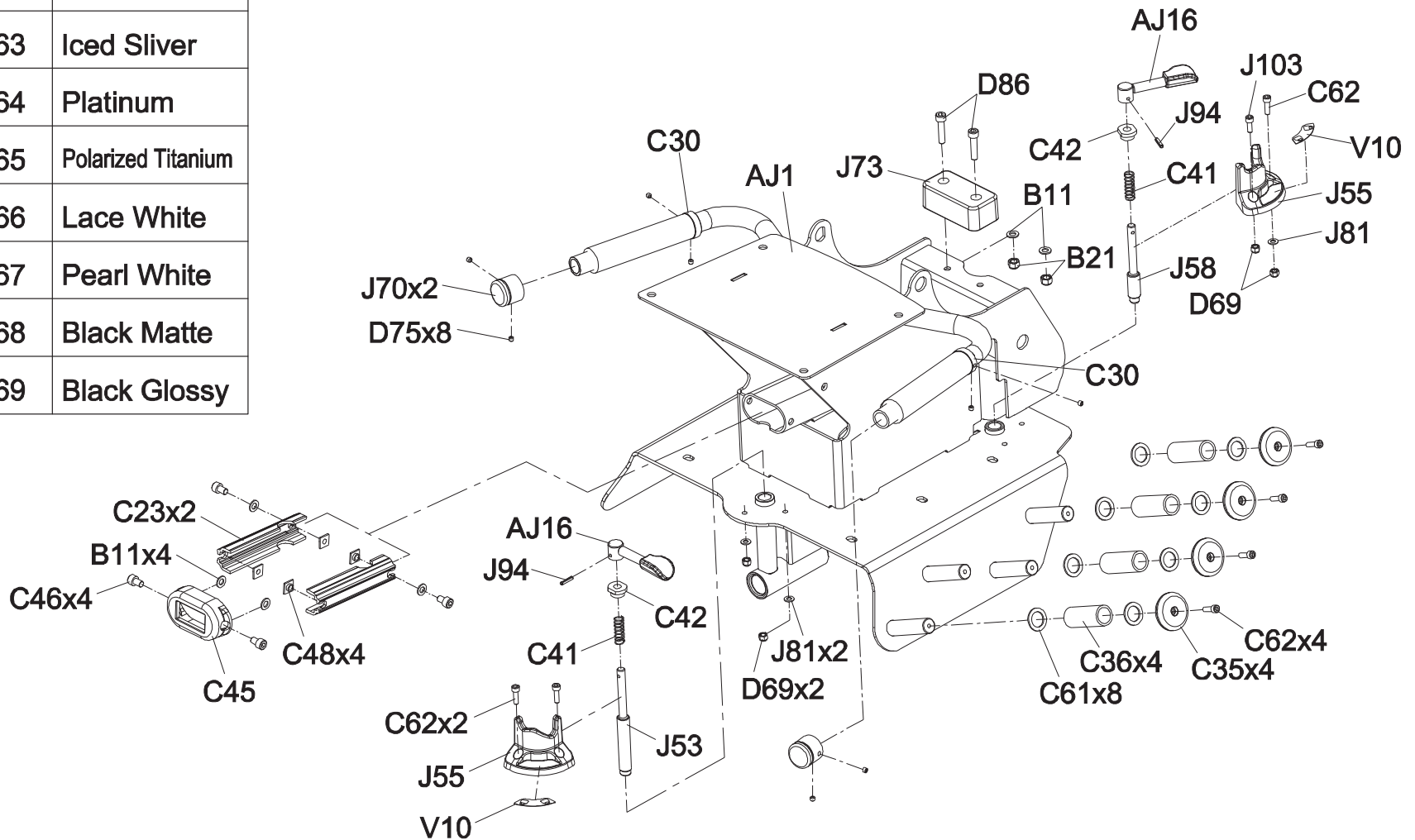
DRAWING NO	GM108-SF02		
PART NAME	Linear Bearing Base Set : Front		
PART NO	See Chart	REV A	
APPROVE	Zero		DATE

Part NO.	Color
1000420497	Iced Sliver
1000420499	Platinum
1000420500	Polarized Titanium
1000420501	Lace White
1000420505	Pearl White
1000420506	Black Matte
1000420507	Black Glossy



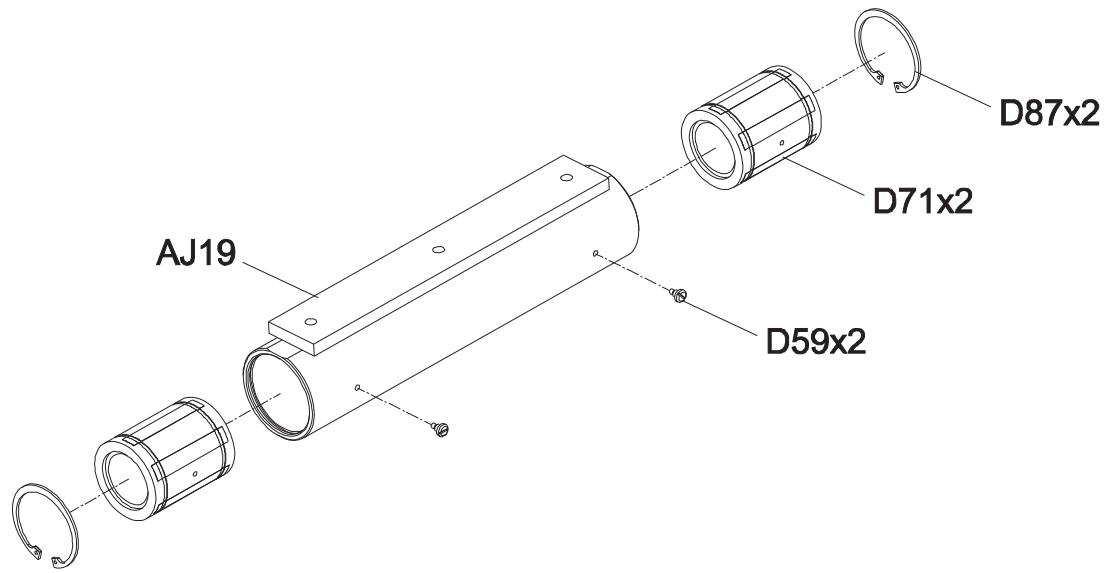
DRAWING NO	GM108-SF03		
PART NAME	Slip Seat Set ; Assembling		
PART NO	See Chart	REV A	
APPROVE	Zero		DATE

Part NO.	Color
1000420563	Iced Sliver
1000420564	Platinum
1000420565	Polarized Titanium
1000420566	Lace White
1000420567	Pearl White
1000420568	Black Matte
1000420569	Black Glossy



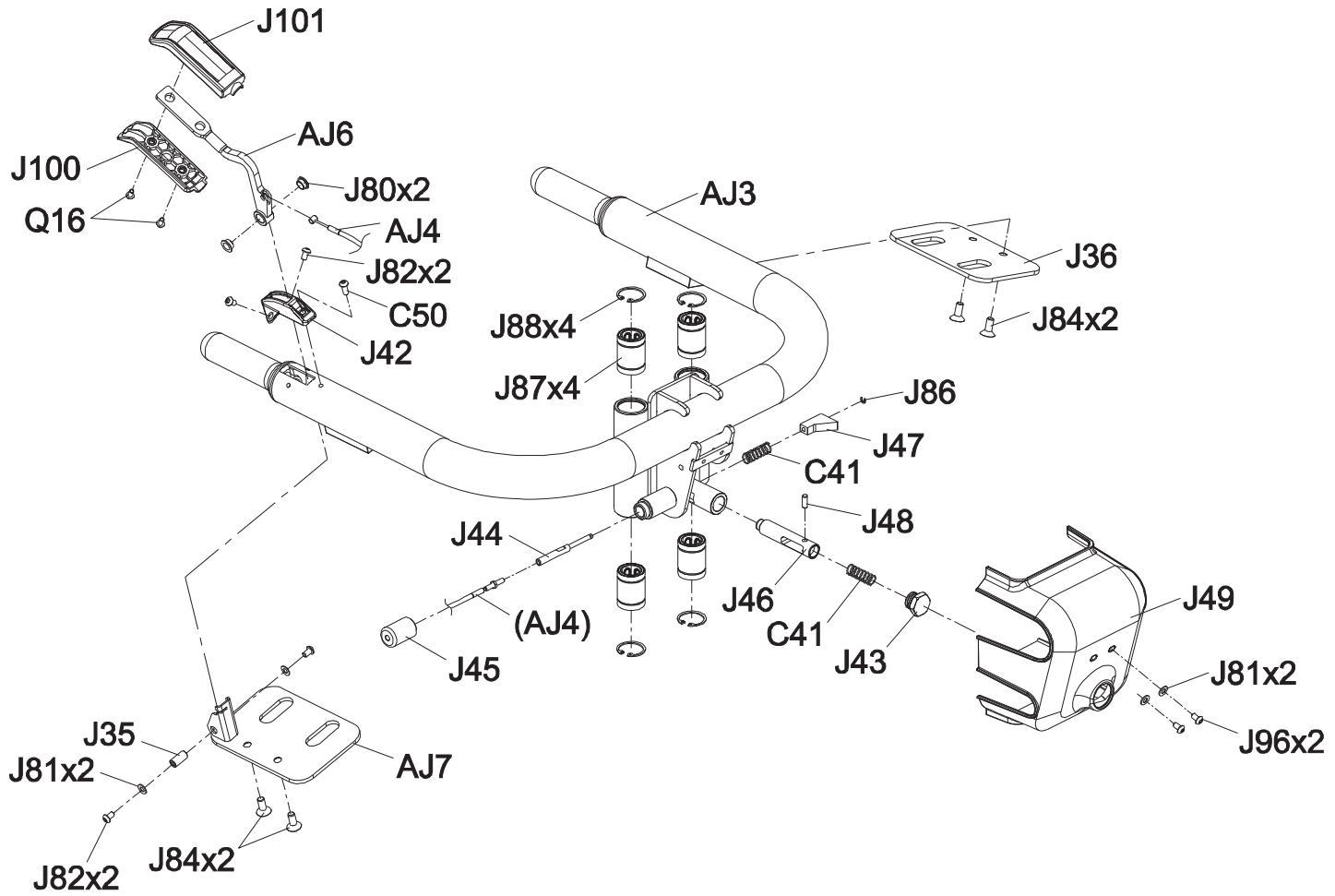
DRAWING NO	GM108-SF04		
PART NAME	Linear Bearing Base Set : Rear		
PART NO	See Chart	REV A	
APPROVE	Zero		DATE

Part NO.	Color
1000420588	Iced Sliver
1000420589	Platinum
1000420590	Polarized Titanium
1000420591	Lace White
1000420592	Pearl White
1000420593	Black Matte
1000420594	Black Glossy



DRAWING NO	GM108-SF05		
PART NAME	Handle Set ; Assembling		
PART NO	See Chart	REV	A
APPROVE	Zero	DATE	03.15.2018

Part NO.	Color
1000420640	Iced Sliver
1000420641	Platinum
1000420642	Polarized Titanium
1000420643	Lace White
1000420644	Pearl White
1000420645	Black Matte
1000420646	Black Glossy



DRAWING NO	GM108-SF09		
PART NAME	Cover set		
PART NO	1000425058	REV	A
APPROVE	Zero	DATE	05.11.2018

