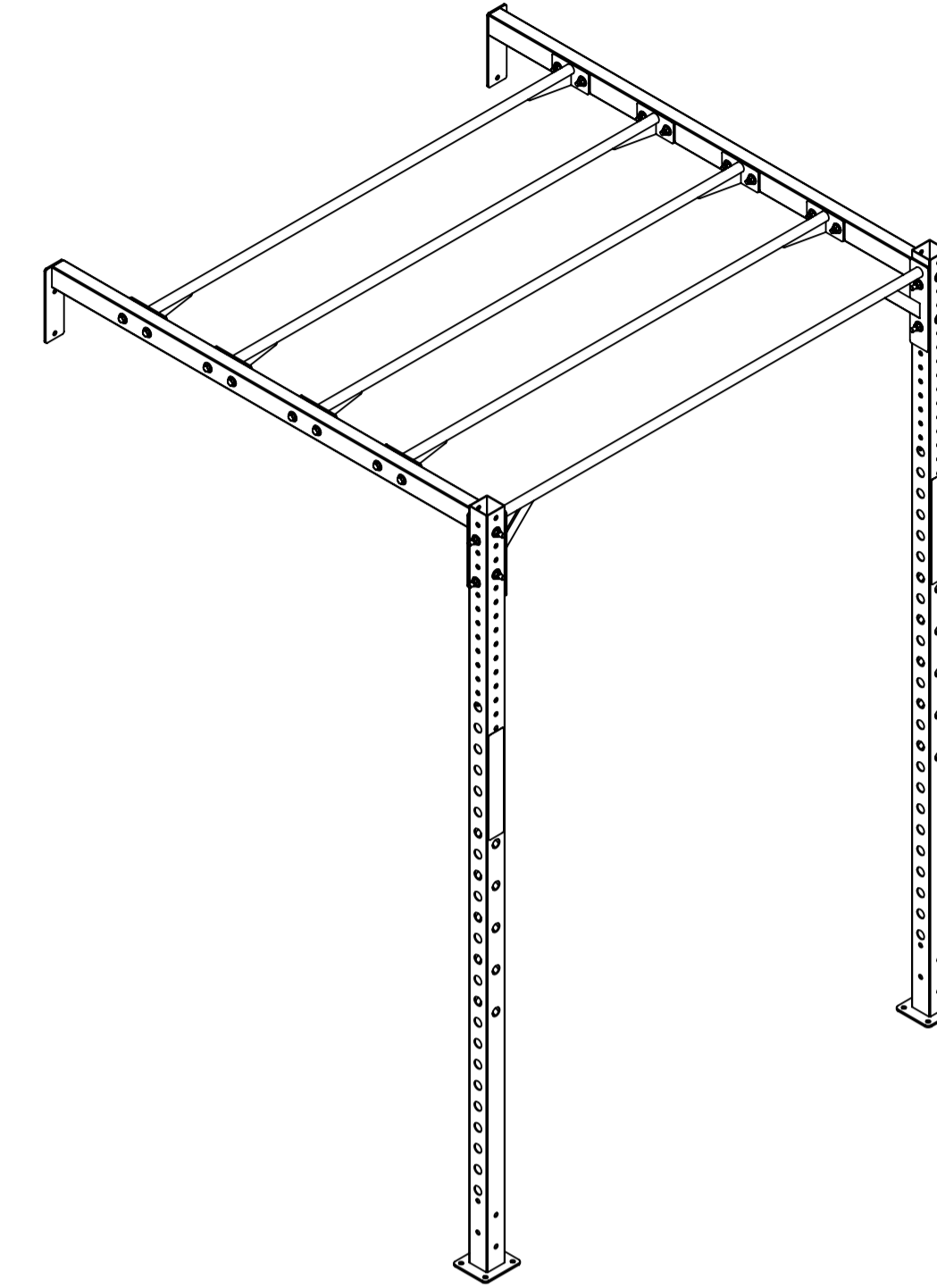
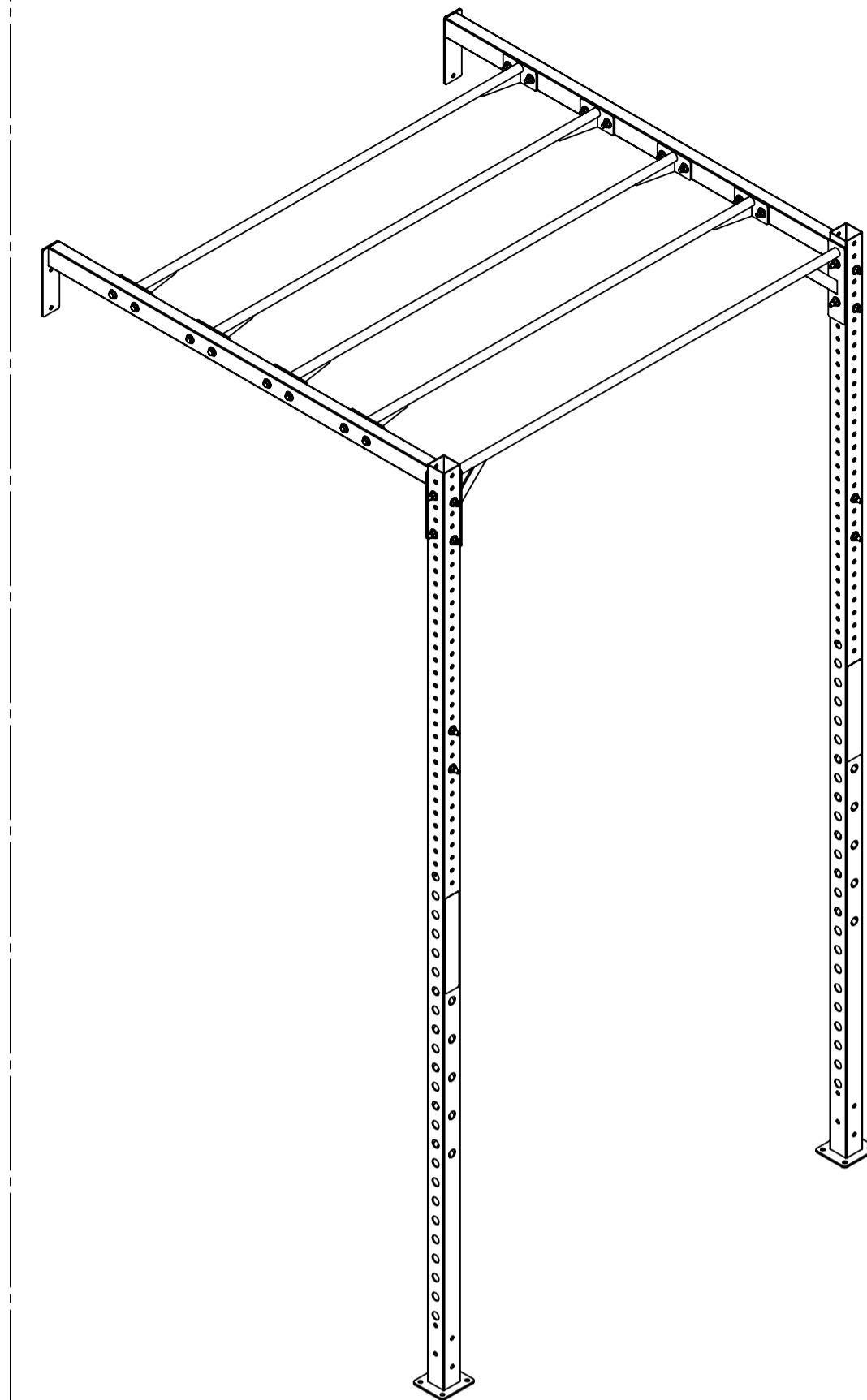


XA-6-MON-8-02
MONKEY BAR EXTENSION
XA;RIG MON 6' X 6' X 8'



XA-6-MON-02
MONKEY BAR EXTENSION
XA;RIG MON 6' X 6' X 9'



XA-6-MON-12-02
MONKEY BAR EXTENSION
XA;RIG MON 6' X 6' X 12'
(SHOWN EXPLODED)

MATRIX

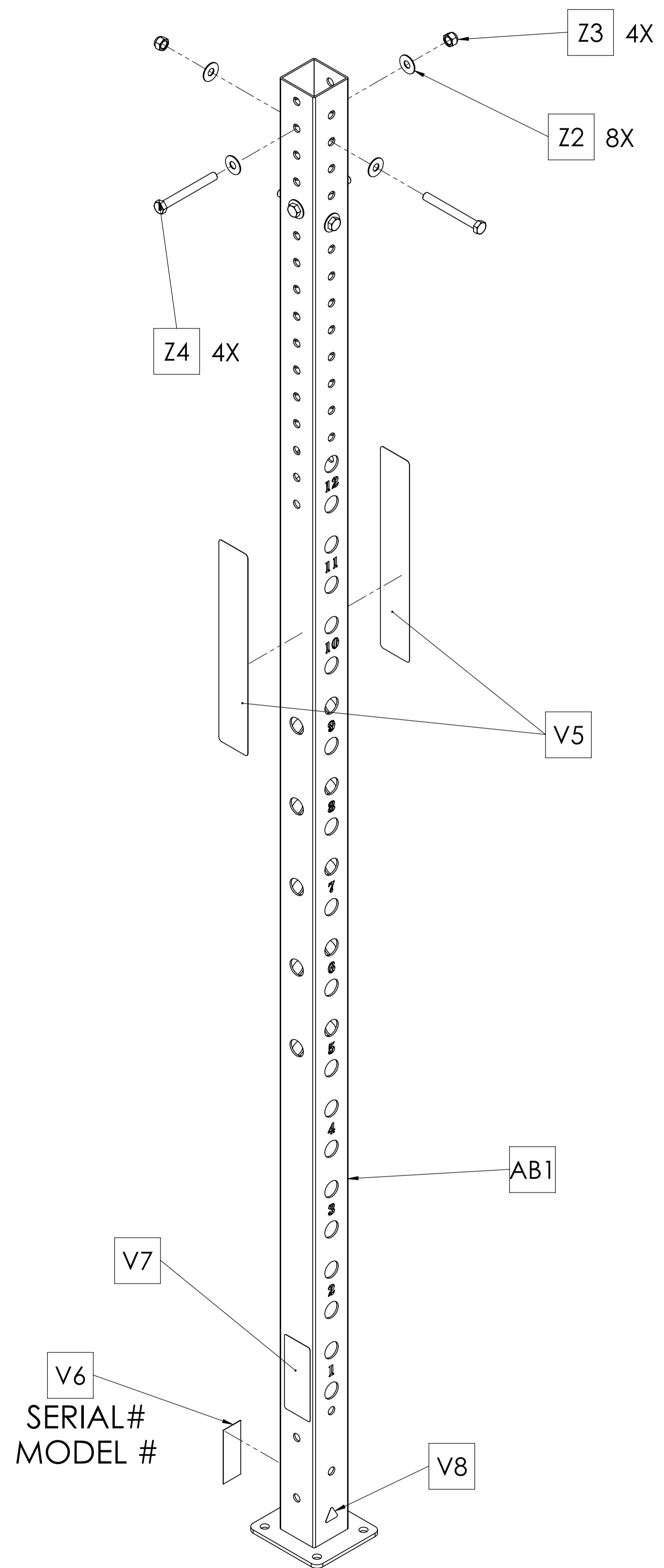
DWG NO. XA-6-MON-02, XA-6-MON-8-02 & XA-6-MON-12-02 SERVICE

DESCRIPTION: XA;RIG MB EXTENSION 6' X 6' (8', 9' or 12')

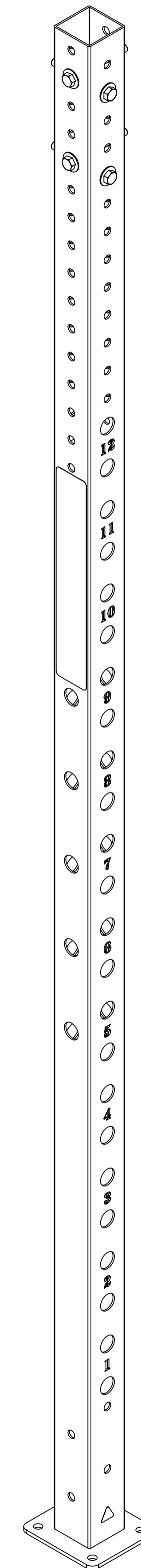
XULT

DRAWN BY: LMB DATE: 2018.JUL.03

UPDATED BY: DATE:



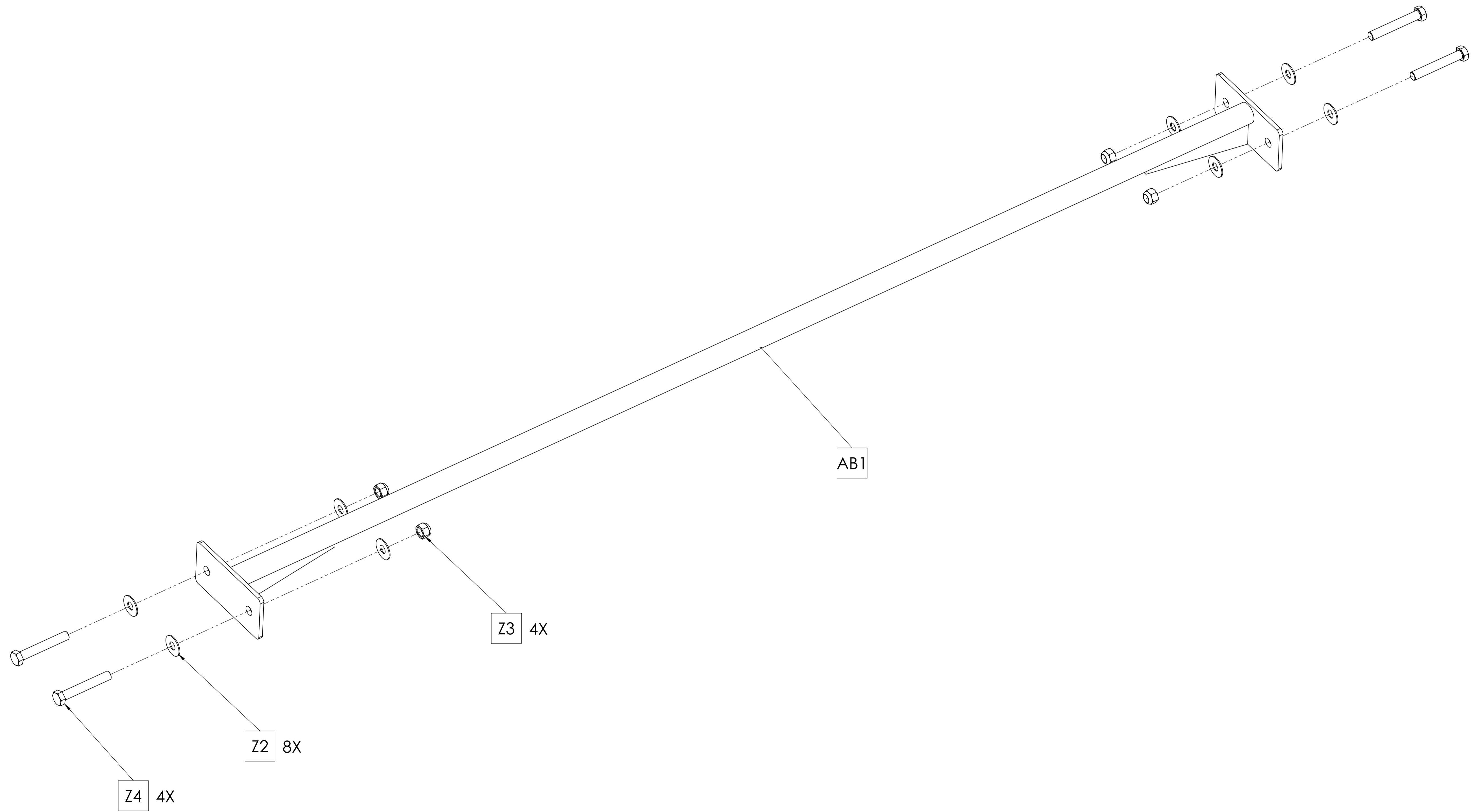
XR03S-02
XULT 9' UPRIGHT W/SERIAL# & MTG HW
(SHOWN EXPLODED)



XR03-02
XULT 9' UPRIGHT W/MTG HW

MATRIX

DWG NO.		XR03-02 SERIES SERVICE	
DESCRIPTION:		RIG;9' UPRIGHT SERIES	
		XULT	
DRAWN BY:	LMB	DATE:	2017.NOV.03
UPDATED BY:		DATE:	



MATRIX

DWG NO.		XR07-02 SERVICE	
DESCRIPTION:		RIG CHIN(MONKEY) BAR XULT	
DRAWN BY:	LMB	DATE:	2017.NOV.03
UPDATED BY:		DATE:	