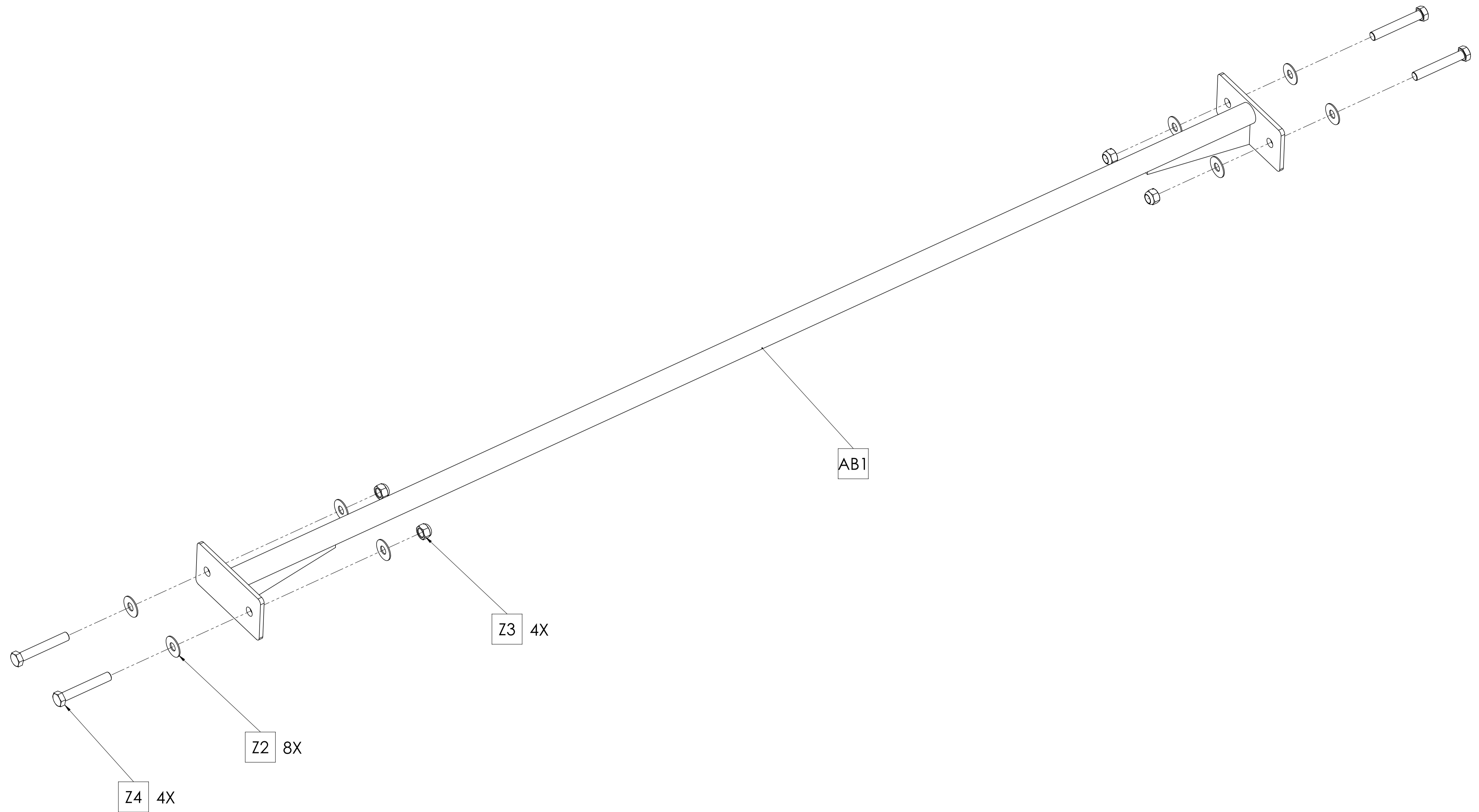


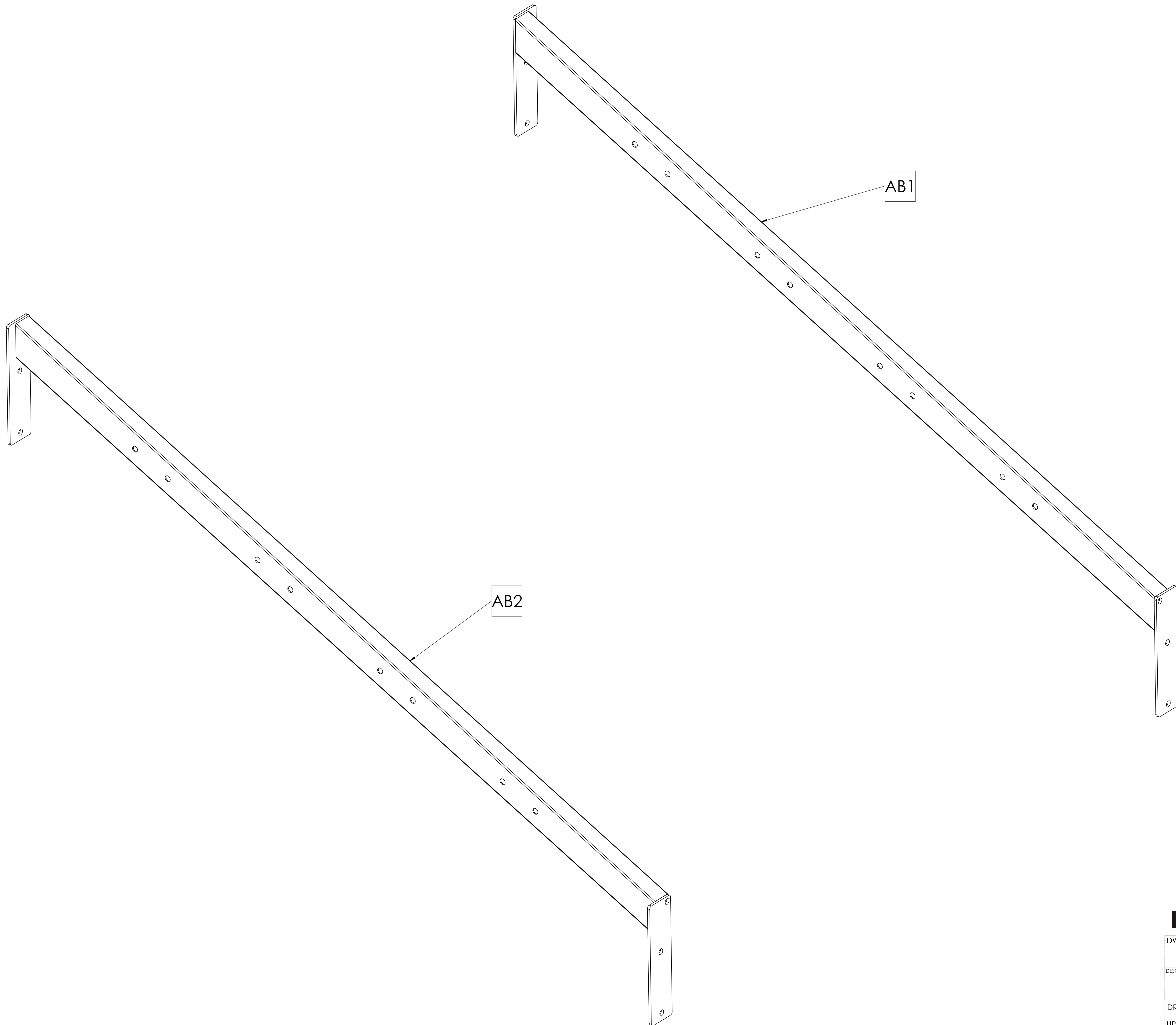
**MATRIX**

DWG NO.			
XA-6-INC-02 SERVICE			
DESCRIPTION: XA;RIG INC 6W4D3INC			
XULT			
DRAWN BY:	LMB	DATE:	2018.JUL.03
UPDATED BY:	LMB	DATE:	2018.JUL.18



**MATRIX**

DWG NO.		XR07-02 SERVICE	
DESCRIPTION:		RIG CHIN(MONKEY) BAR XULT	
DRAWN BY:	LMB	DATE:	2017.NOV.03
UPDATED BY:		DATE:	



**MATRIX**

DWG NO.		XR08-02 SERVICE	
DESCRIPTION:		RIG;INCLINE SUPPORT(PAIR) XULT	
DRAWN BY:	LMB	DATE:	2017.NOV.03
UPDATED BY:	LMB	DATE:	