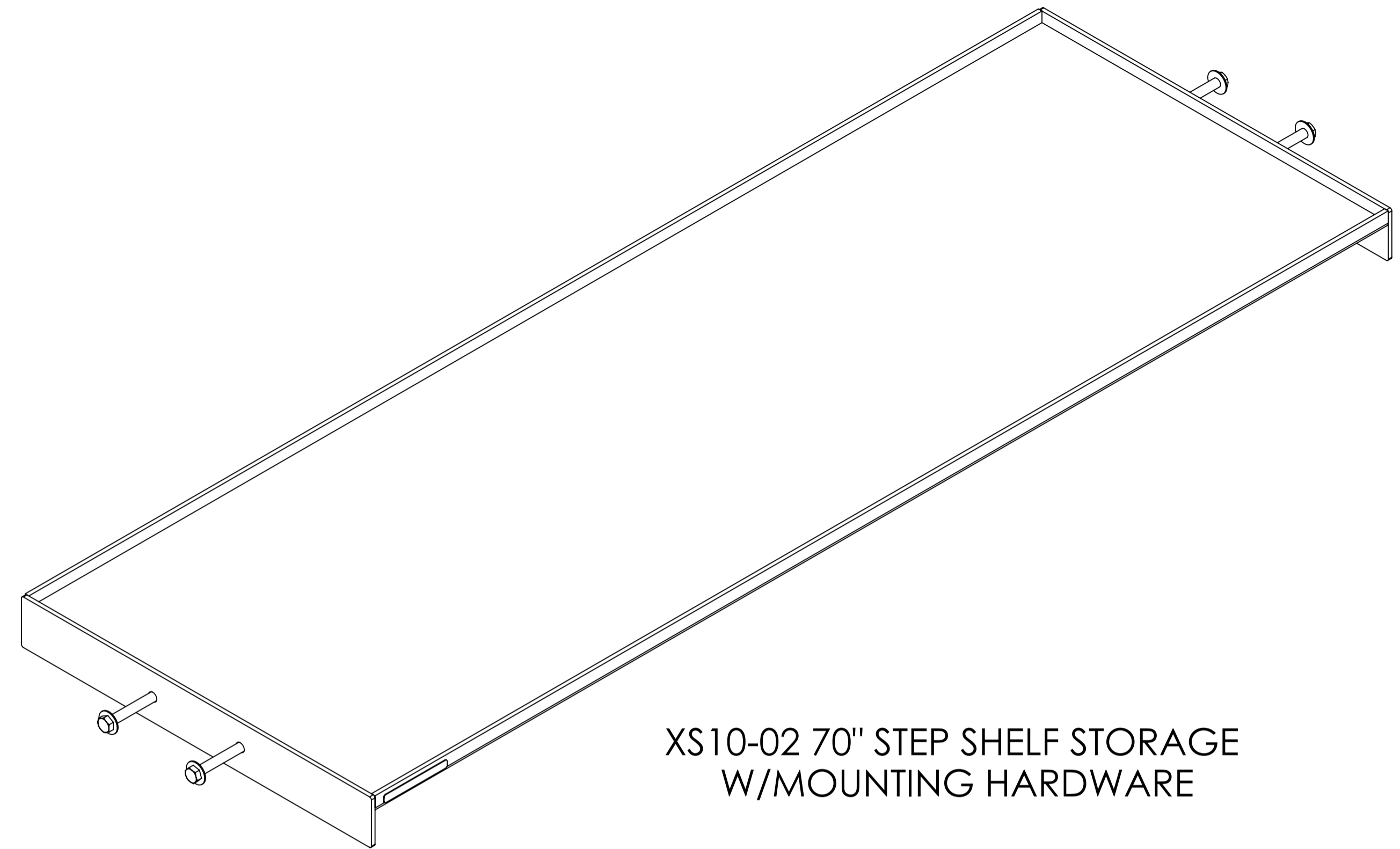
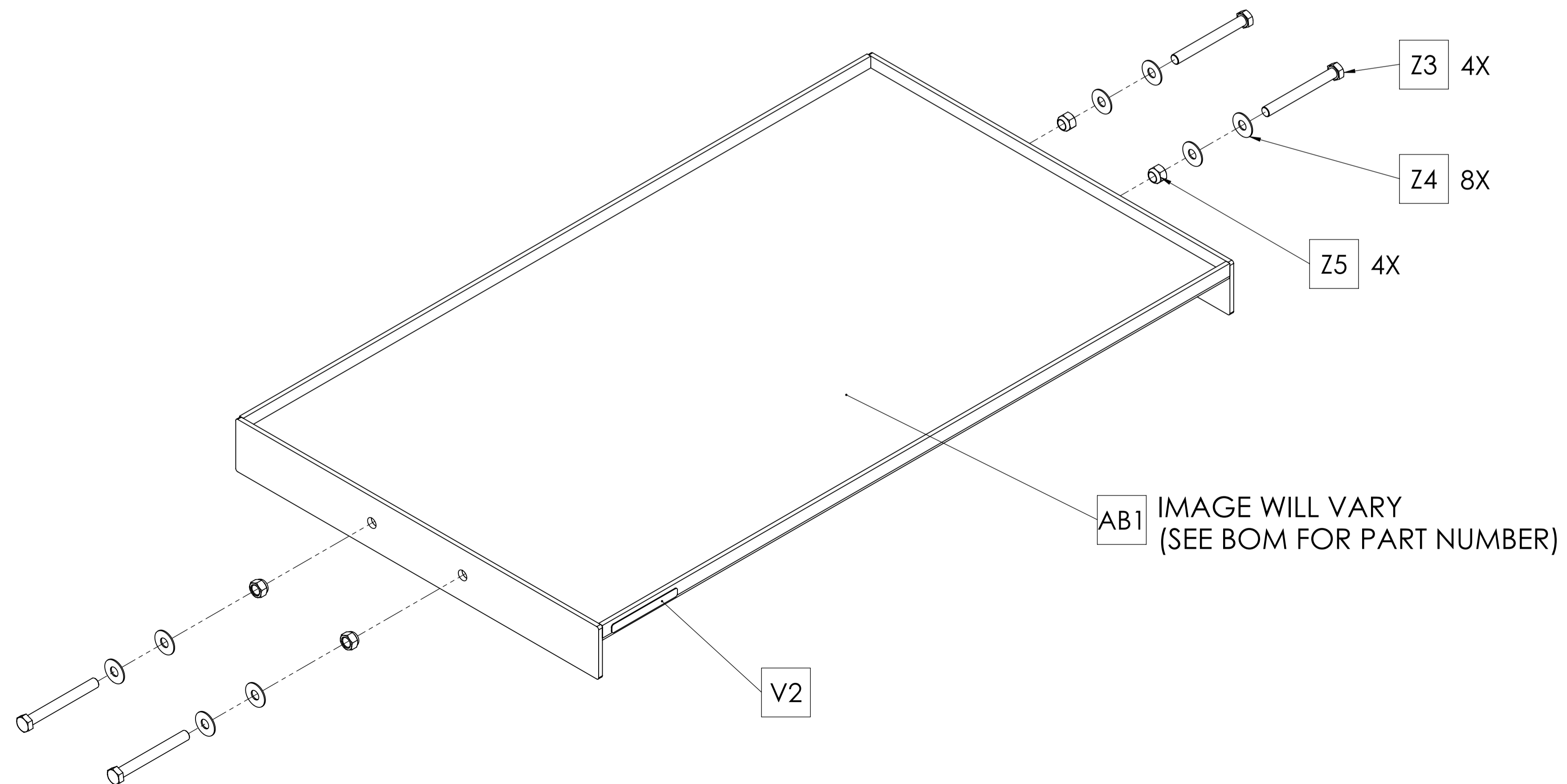


XS09-02 42" STEP SHELF STORAGE  
W/MOUNTING HARDWARE  
**(SHOWN EXPLODED)**



XS10-02 70" STEP SHELF STORAGE  
W/MOUNTING HARDWARE



Z3 4X

Z4 8X

Z5 4X

AB1 IMAGE WILL VARY  
(SEE BOM FOR PART NUMBER)

V2

**MATRIX**

DWG NO. XS09-02 & XS10-02 SERVICE

DESCRIPTION: XT; STEP SHELF

XULT

DRAWN BY: LMB DATE: 2018.JUL.02

UPDATED BY: DATE: