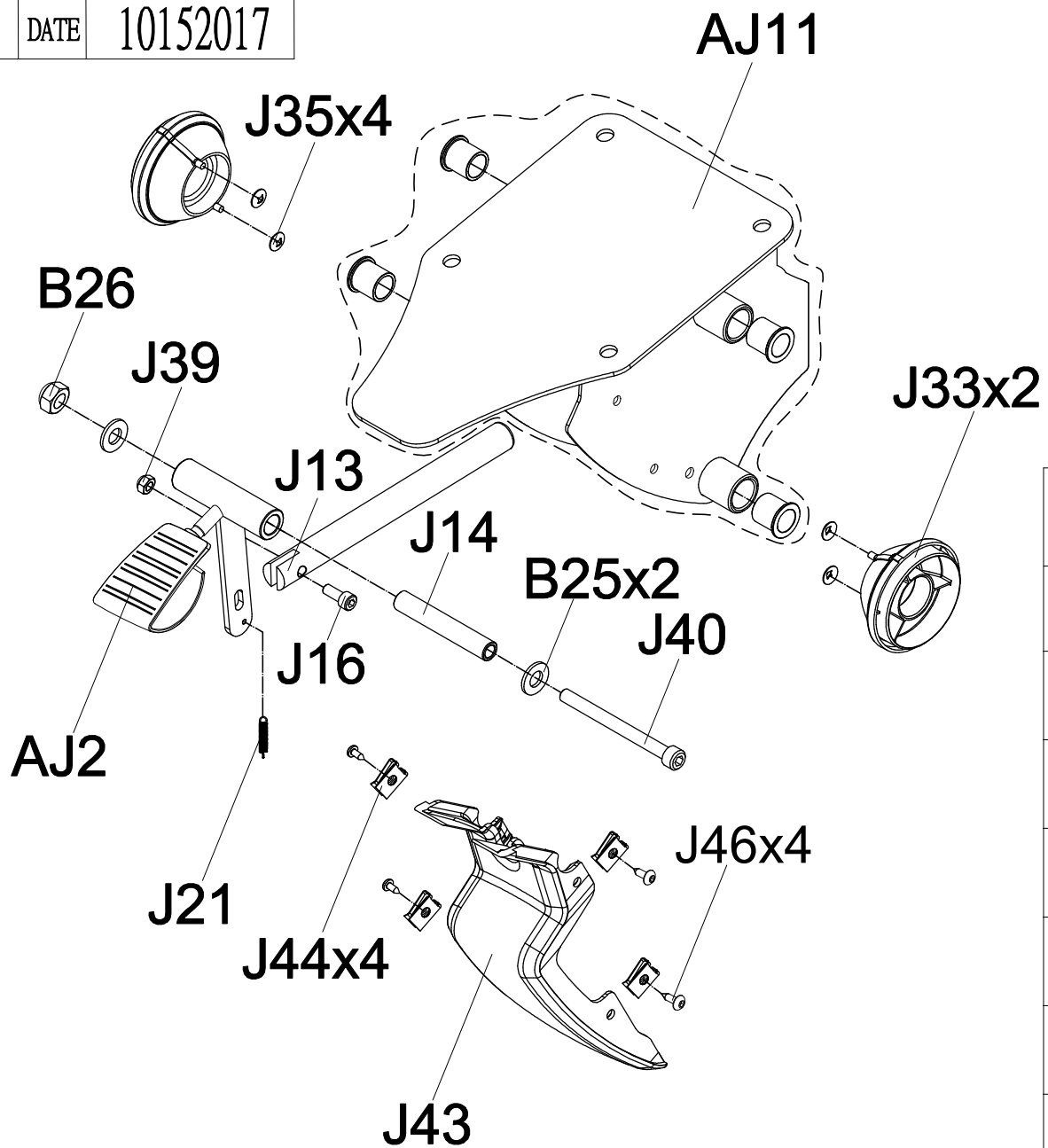
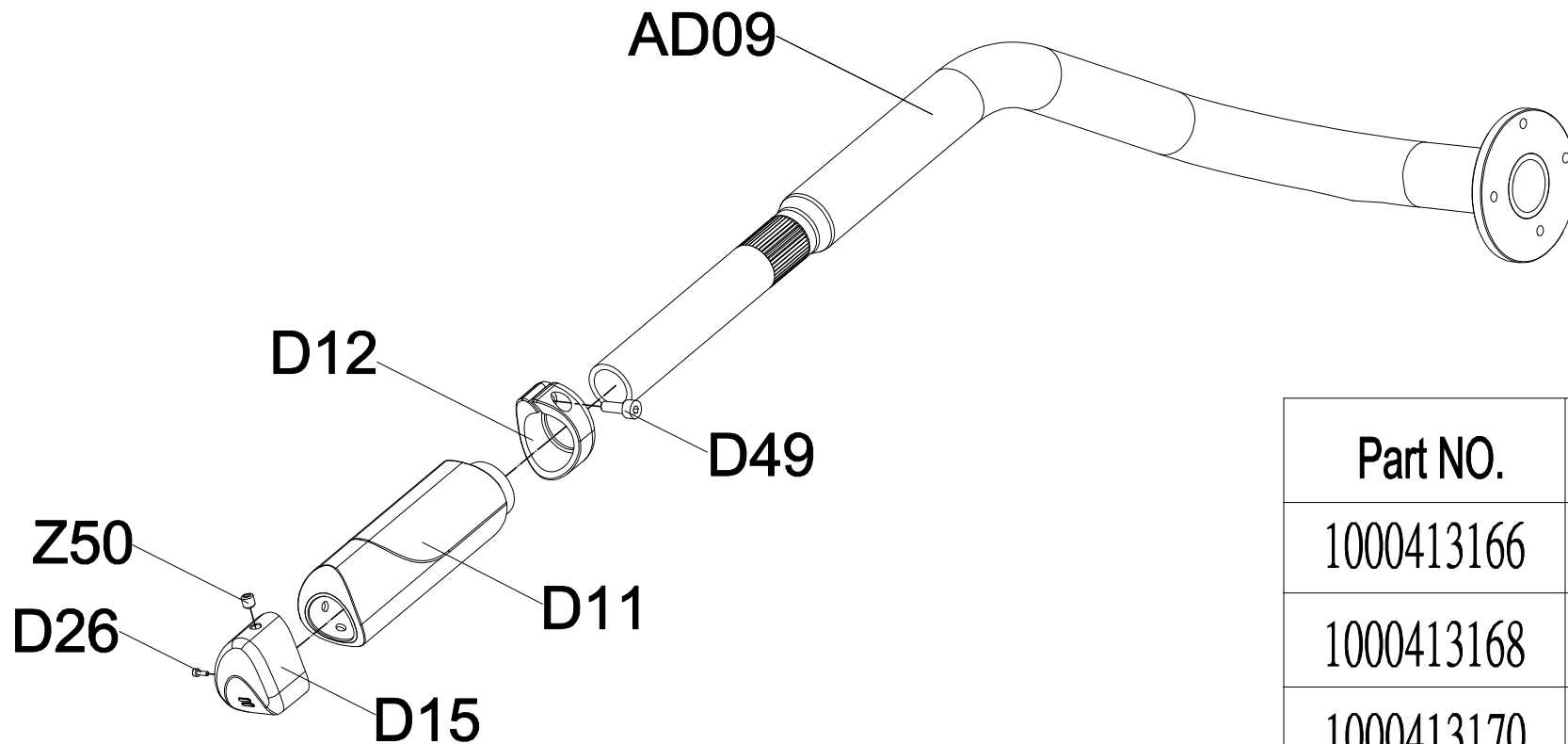


DRAWING NO	GM124-SF03		
PART NAME	Seat Adjustable Set		
PART NO	See Chart	REV	A
APPROVE	Jo	DATE	10152017



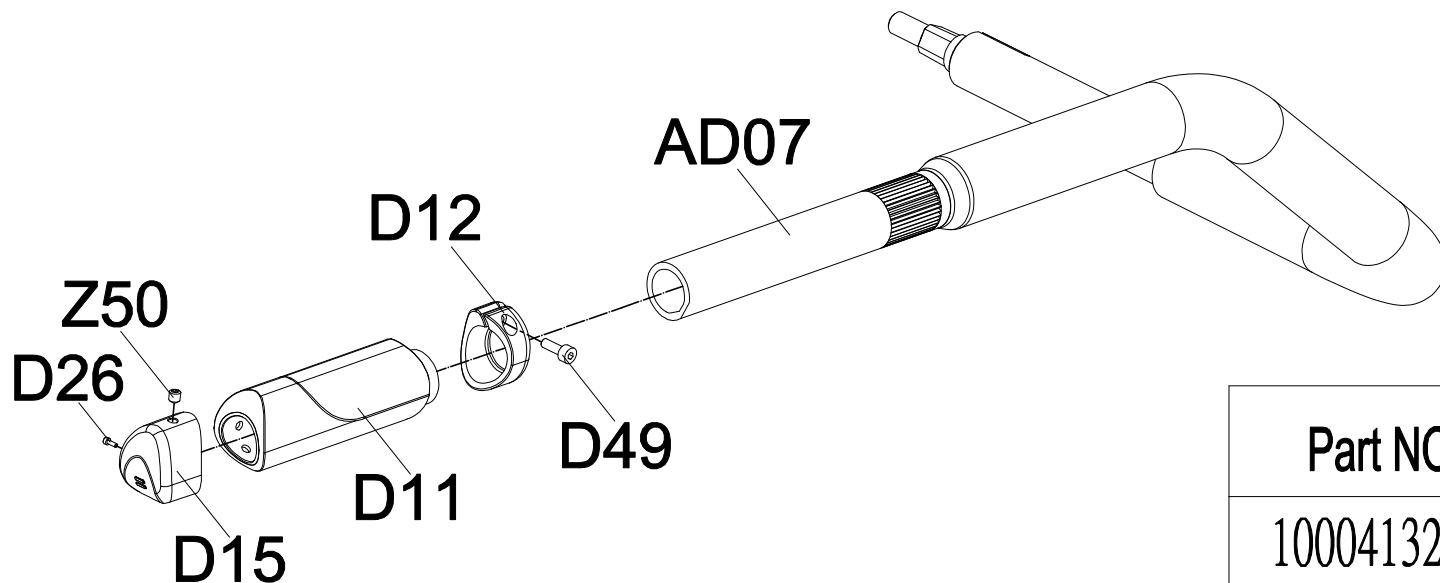
Part NO.	Color
1000413288	Polarized Titanium
1000413289	Lace White
1000413290	BlackGlossy
1000413291	Iced Sliver
1000413292	Platinum
1000413293	Pearl White
1000413294	Mat Black

DRAWING NO	GM124-SF01		
PART NAME	Handle set;Right		
PART NO	See Chart	REV	A
APPROVE	Jo	DATE	10152017



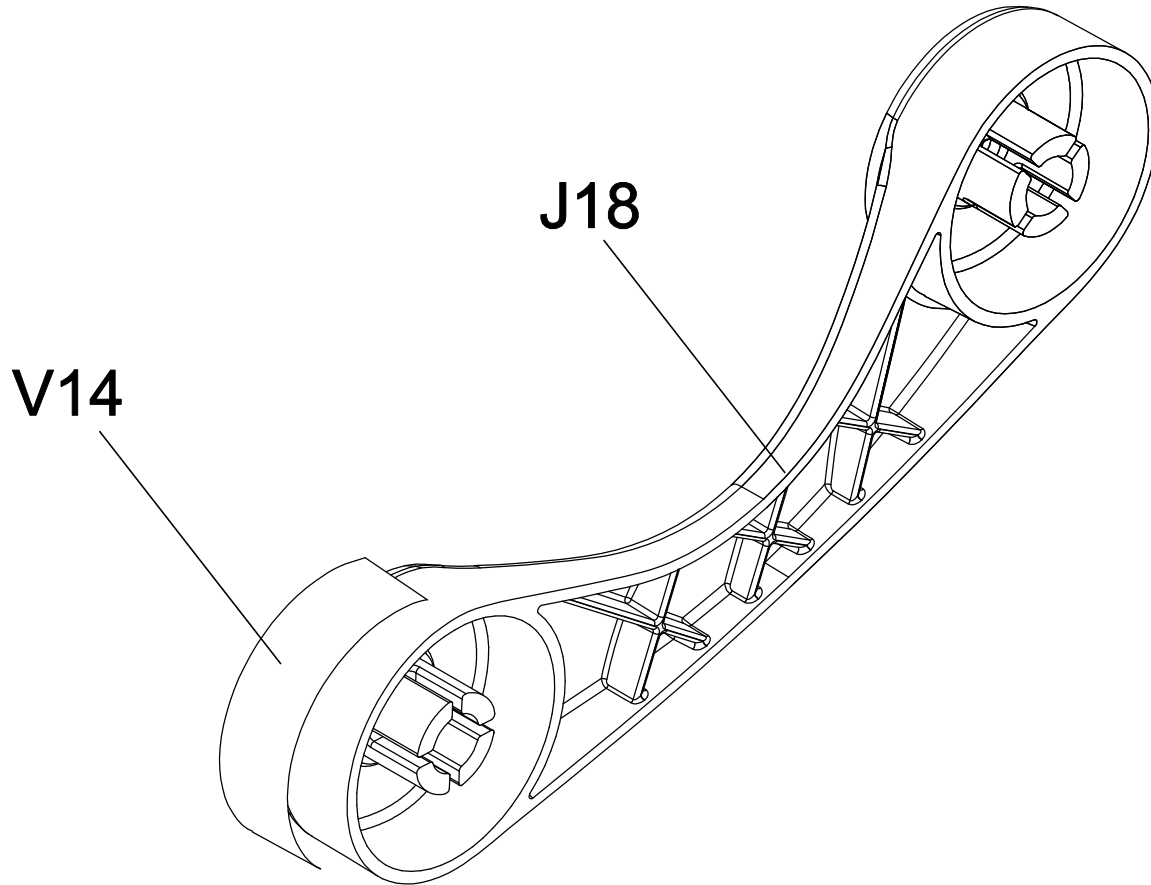
Part NO.	Color
1000413166	Iced Sliver
1000413168	Platinum
1000413170	Polarized Titanium
1000413172	Lace White
1000413174	Pearl White
1000413176	Mat Black
1000413178	BlackGlossy

DRAWING NO	GM124-SF02		
PART NAME	Handle set;Lift		
PART NO	See Chart	REV	A
APPROVE	Jo	DATE	10152017

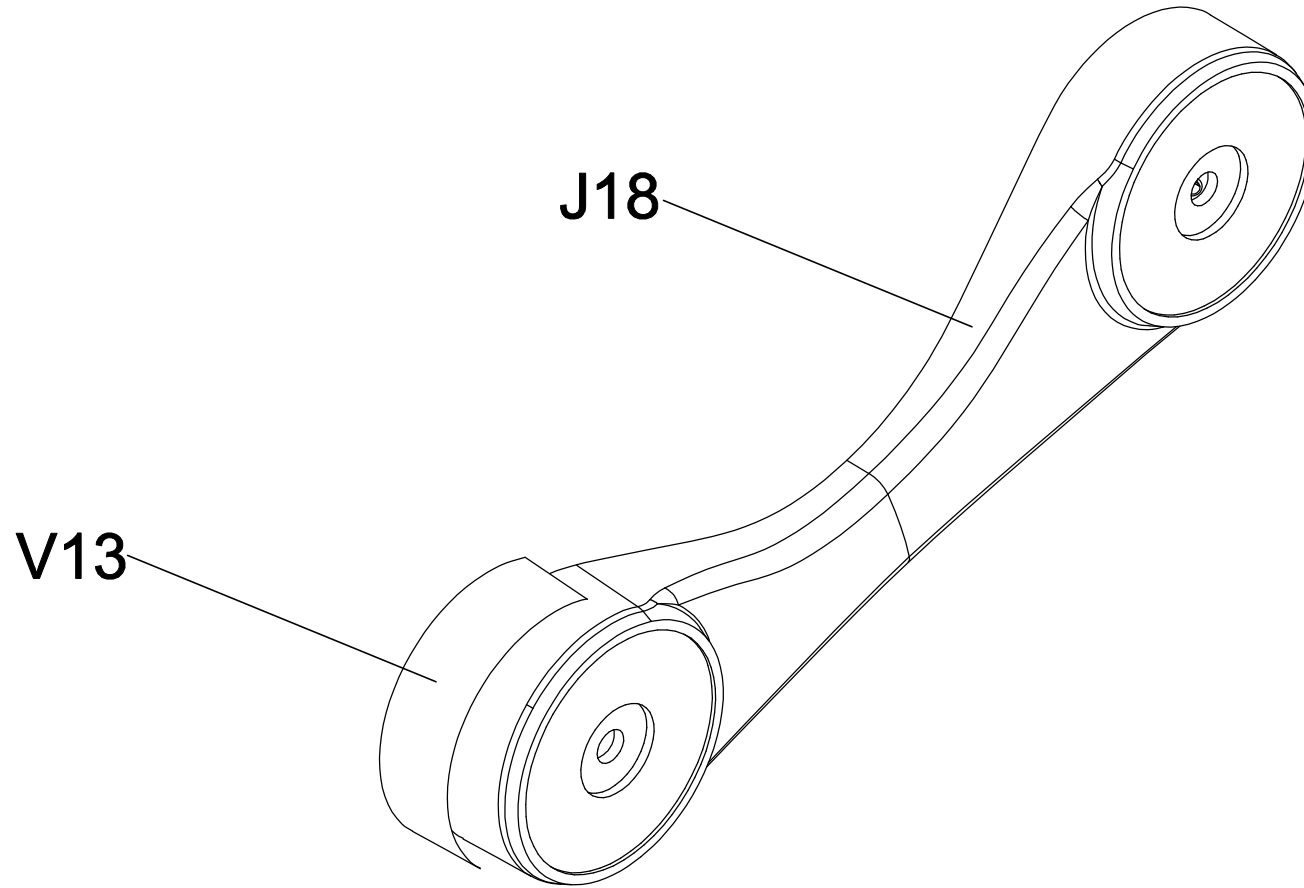


Part NO.	Color
1000413205	Iced Sliver
1000413207	Platinum
1000413209	Polarized Titanium
1000413211	Lace White
1000413217	Pearl White
1000413219	Mat Black
1000413222	BlackGlossy

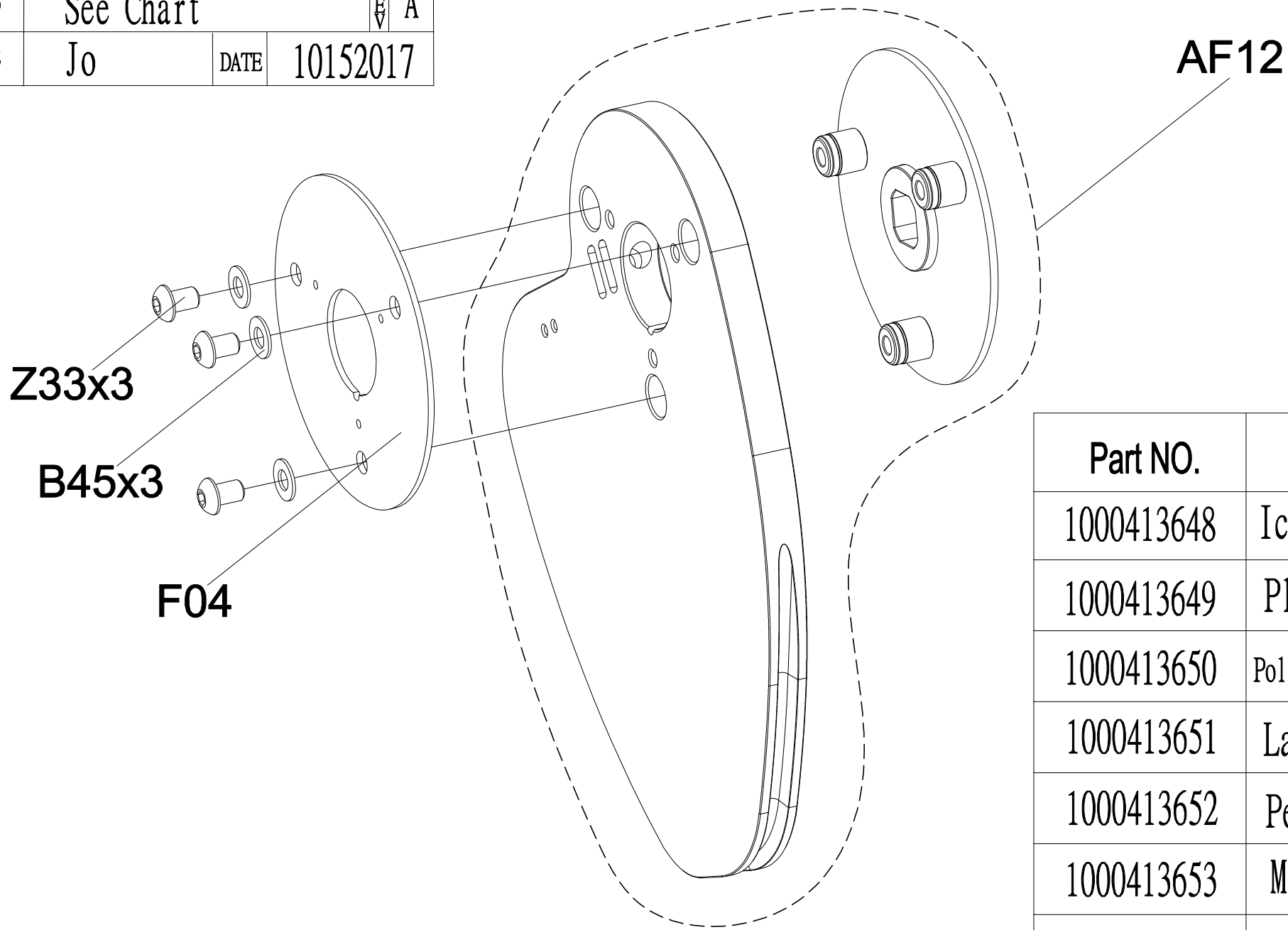
DRAWING NO	GM124-SF05		
PART NAME	Seat Connect Rod;Lift Down		
PART NO	1000413268	REV	A
APPROVE	Jo	DATE	10152017



DRAWING NO	GM124-SF04		
PART NAME	Seat Connect Rod;Right Down		
PART NO	1000413267	REV	A
APPROVE	Jo	DATE	10152017

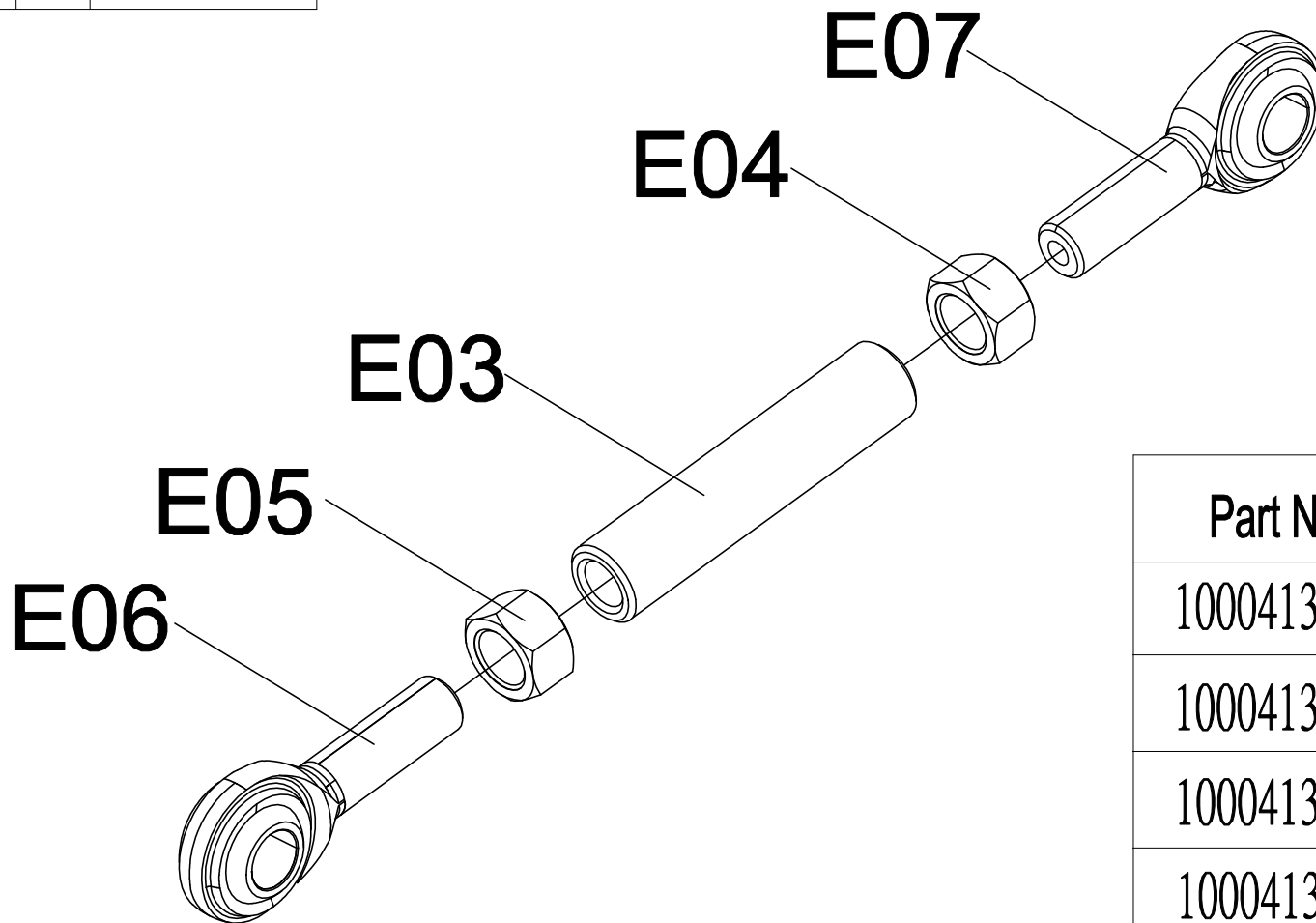


DRAWING NO	GM124-SF07		
PART NAME	Cam Fixing Set		
PART NO	See Chart	REV	A
APPROVE	Jo	DATE	10152017



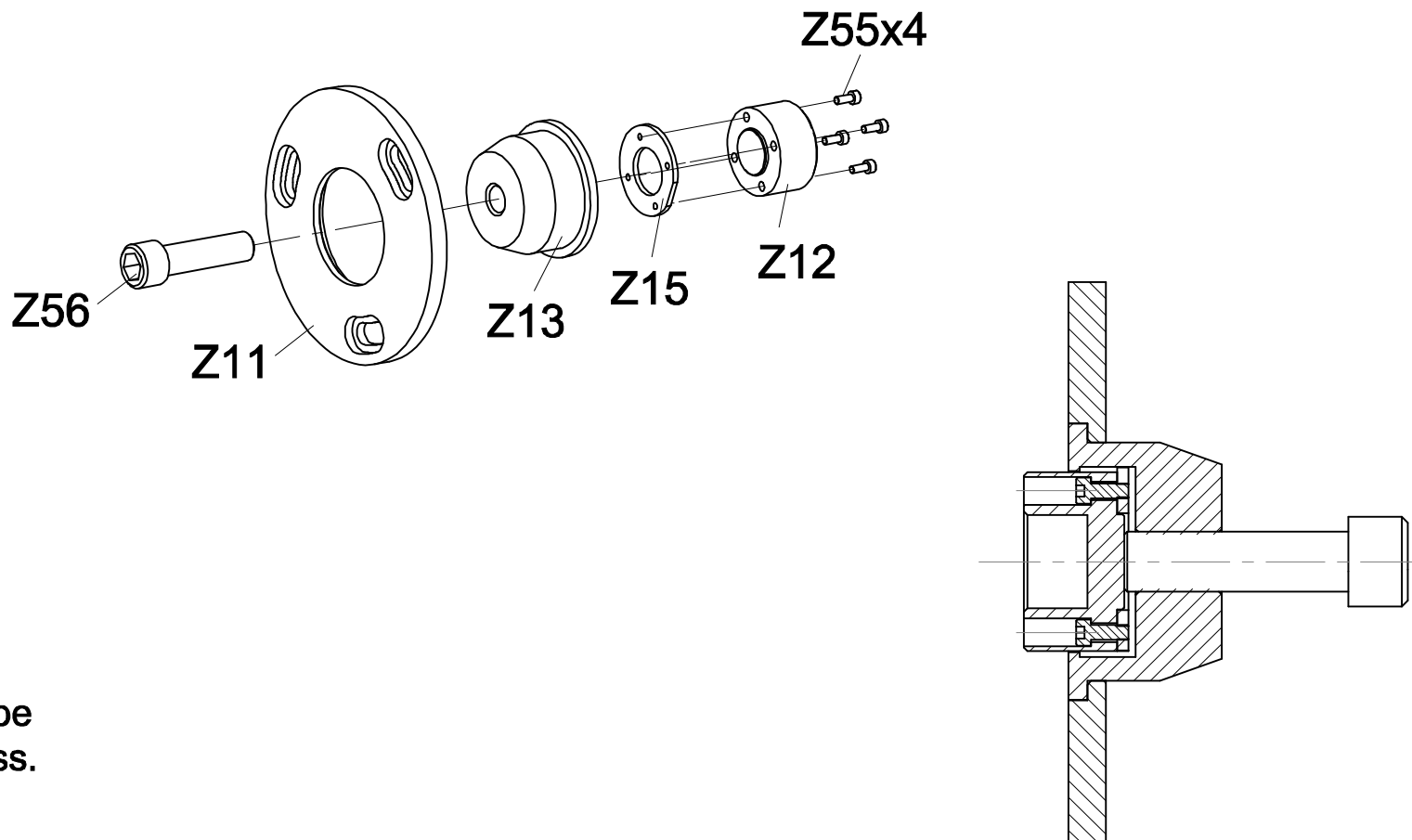
Part NO.	Color
1000413648	Iced Sliver
1000413649	Platinum
1000413650	Polarized Titanium
1000413651	Lace White
1000413652	Pearl White
1000413653	Mat Black
1000413654	BlackGlossy

DRAWING NO	GM124-SF06		
PART NAME	Connect Rod		
PART NO	See Chart	REV	A
APPROVE	Jo	DATE	10152017



Part NO.	Color
1000413283	Iced Sliver
1000413284	Platinum
1000413296	Polarized Titanium
1000413298	Lace White
1000413299	Pearl White
1000413300	Mat Black
1000413301	BlackGlossy

DRAWING NO	GM113-SF04		
PART NAME	Grip Set ; Assembling		
PART NO	1000420787		A
APPROVE	ALEX	DATE	01.26.2018



Notes:
 Z11 and Z13, tight fit, must be equipped with hydraulic press.