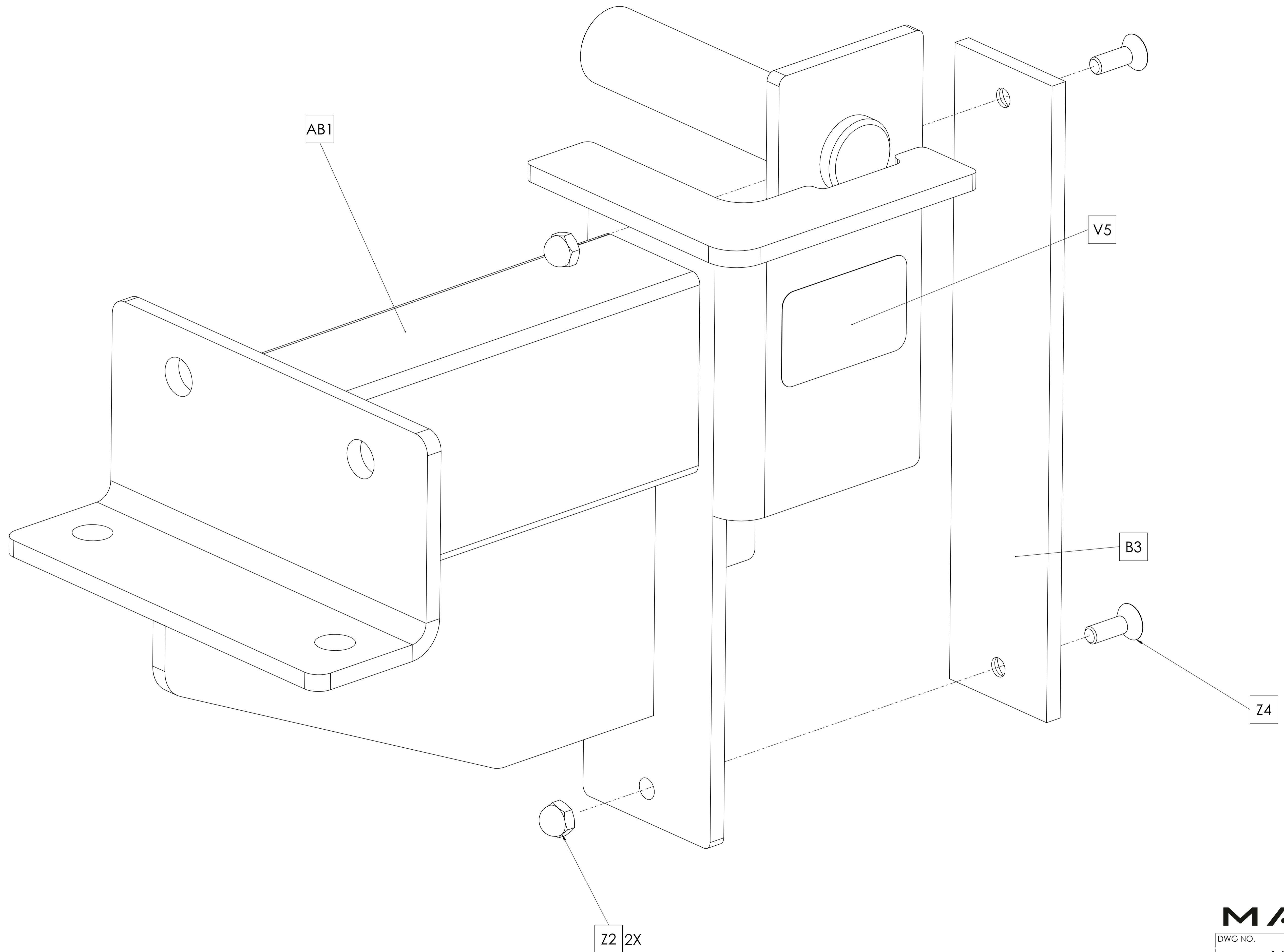


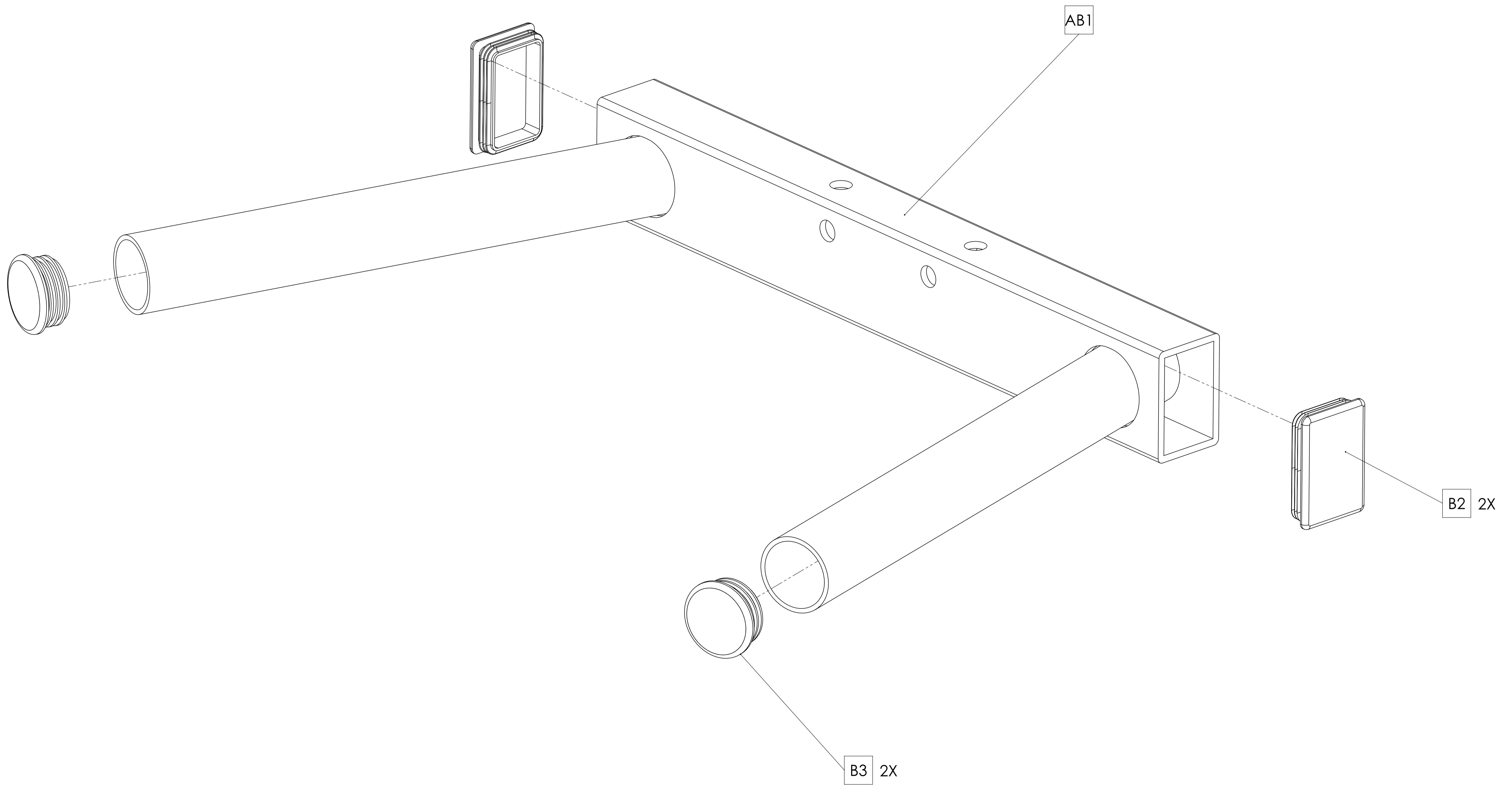
MATRIX

DWG NO.		XR17-02 SERVICE	
DESCRIPTION:		DIP STATION;XT (XULT)	
DRAWN BY:	LMB	DATE:	2018.APR.30
UPDATED BY:	LMB	DATE:	2018.JUN.13



MATRIX

DWG NO.		161-371 SERVICE	
DESCRIPTION:		XT;DIP STATION UPRIGHT ASSY (XULT)	
DRAWN BY:	LMB	DATE:	18.06.06
UPDATED BY:		DATE:	



MATRIX

DWG NO.		161-372 SERVICE	
DESCRIPTION:		XR17 DIP BAR HANDLE ASSY (XULT)	
DRAWN BY:	LMB	DATE:	2018.JUN.13
UPDATED BY:		DATE:	