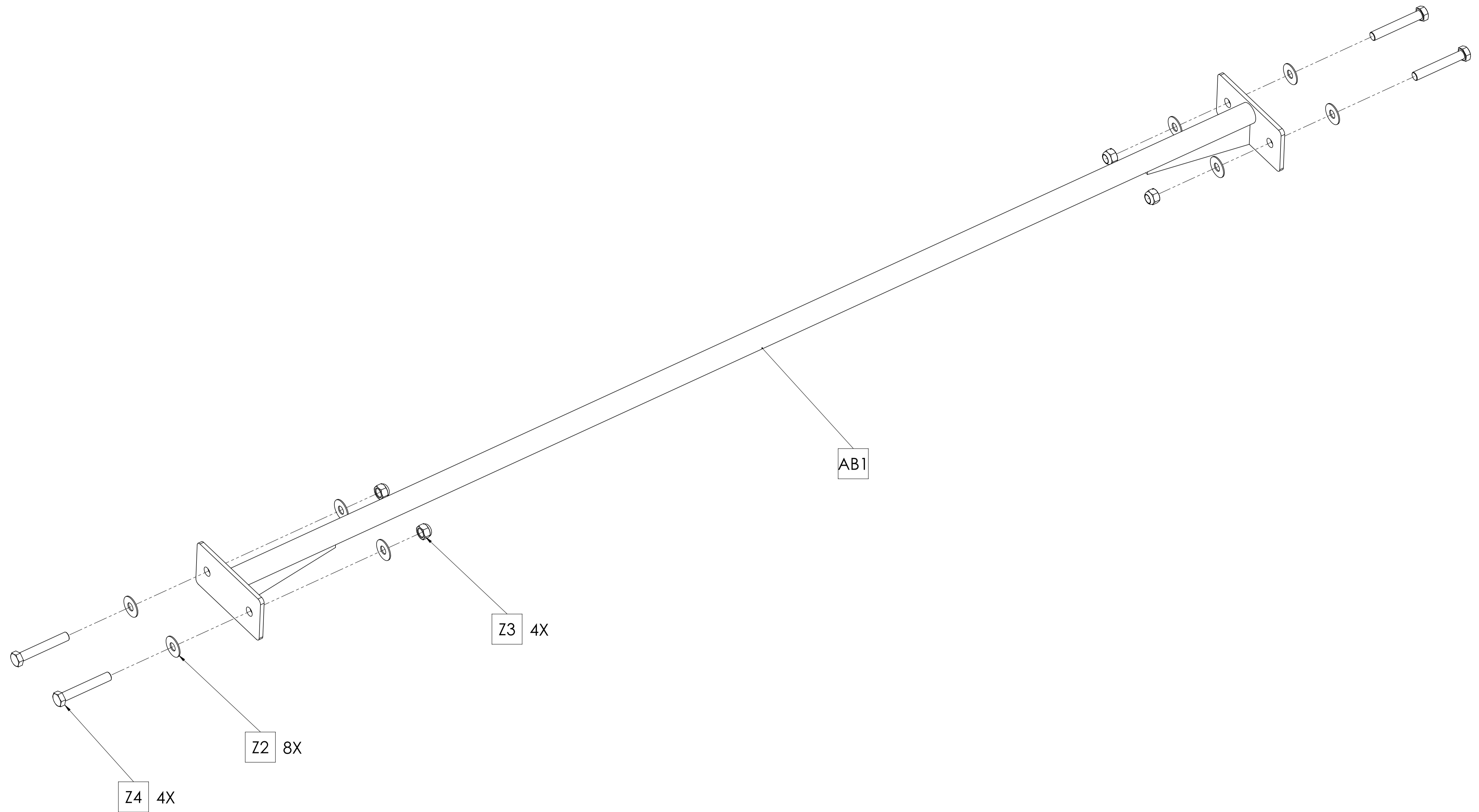


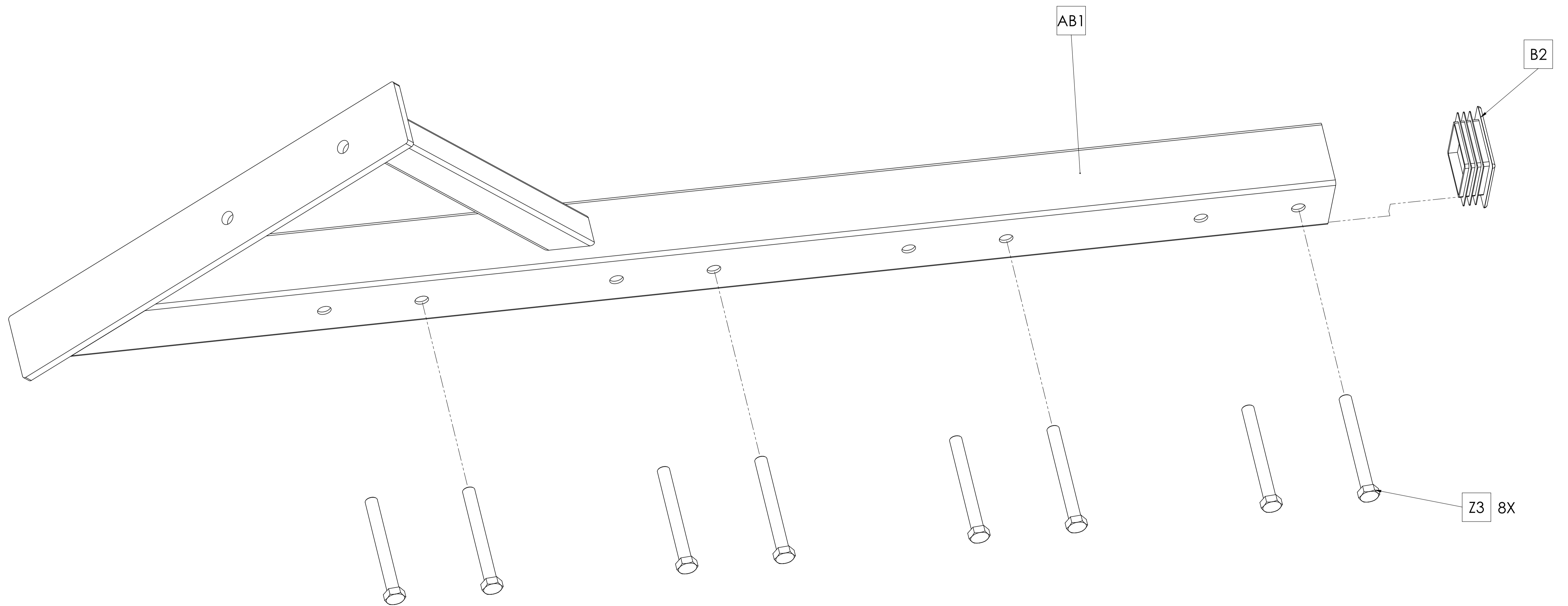
MATRIX

DWG NO.		XA-15-02 SERVICE	
DESCRIPTION:		XT;RIG FLYING PU SET (XULT RIGS)	
DRAWN BY:	LMB	DATE:	2018.JUN.26
UPDATED BY:		DATE:	



MATRIX

DWG NO.		XR07-02 SERVICE	
DESCRIPTION:		RIG CHIN(MONKEY) BAR XULT	
DRAWN BY:	LMB	DATE:	2017.NOV.03
UPDATED BY:		DATE:	



MATRIX

DWG NO.		XR32-02 SERVICE	
DESCRIPTION:		XT;RIG; FLYING PU SUPPORT (XULT RIGS)	
DRAWN BY:	LMB	DATE:	2018.JUN.12
UPDATED BY:		DATE:	--