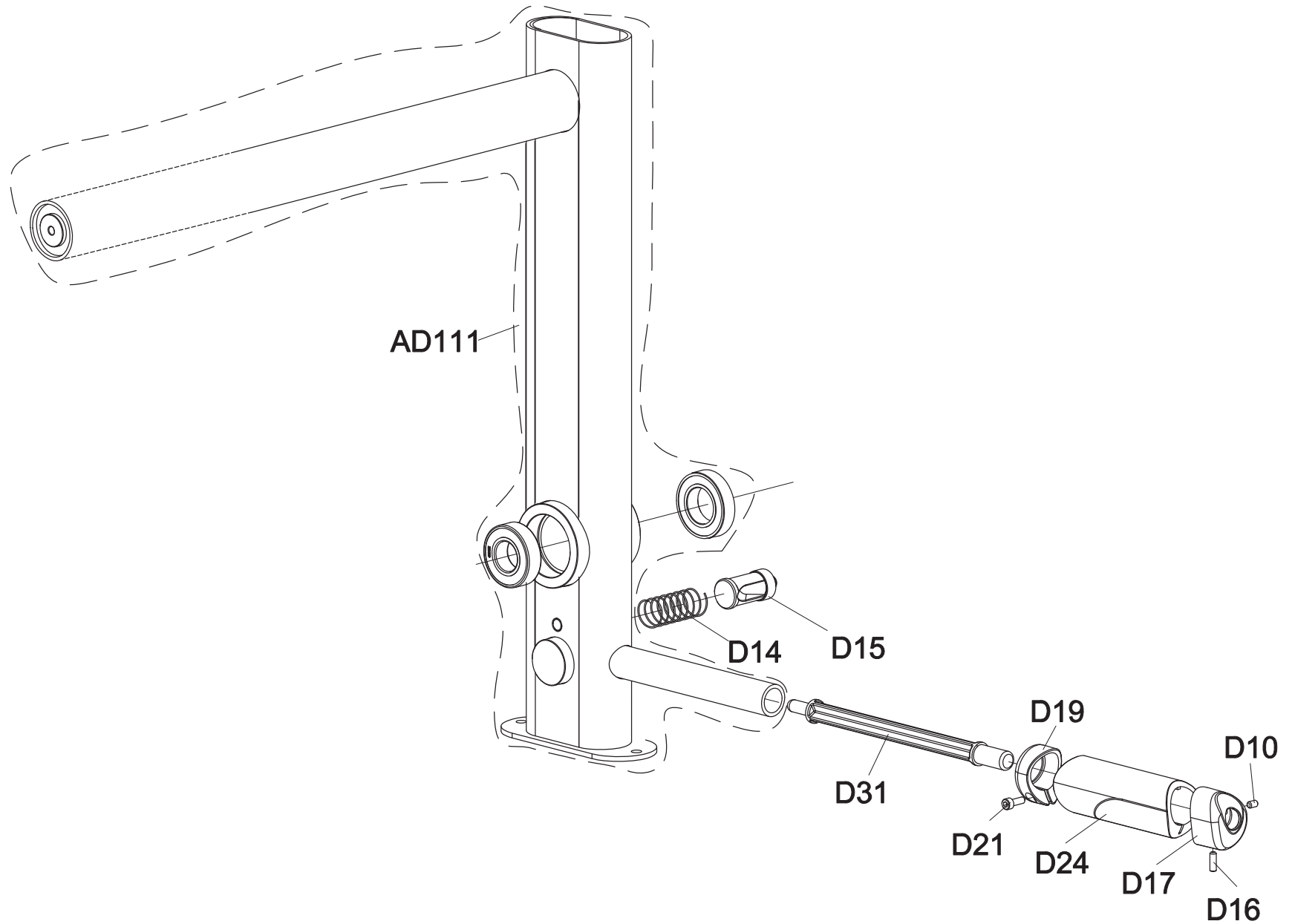


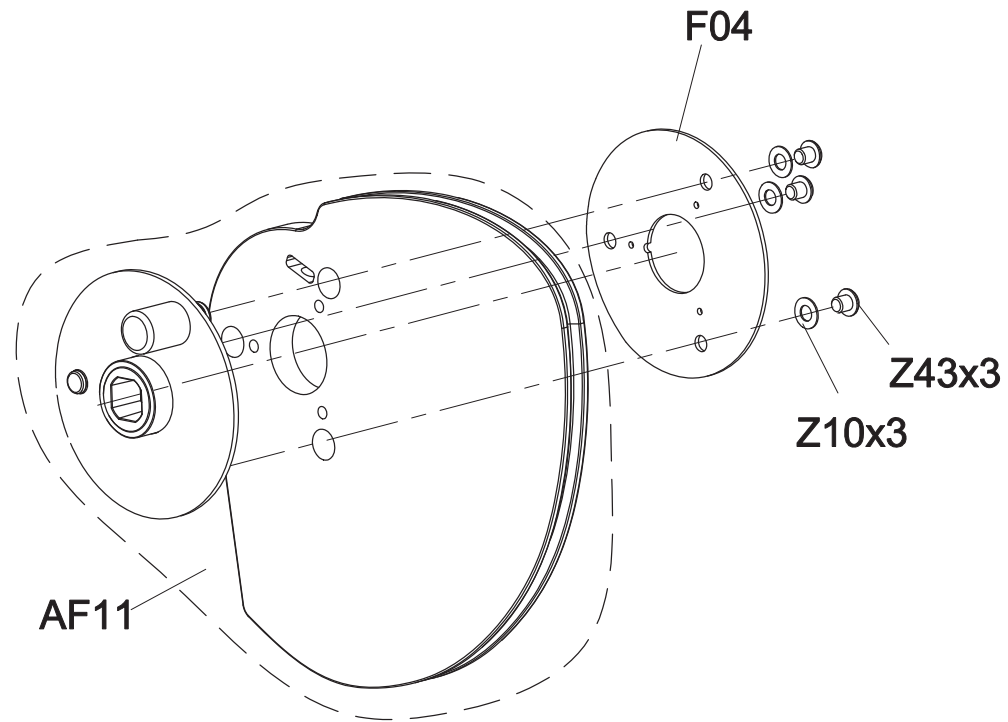
DRAWING NO	GM126-SF02		
PART NAME	Swivel arm set		
PART NO	See Chart	REV	A
APPROVE	PAIGE	DATE	11.13.2017

Part NO.	Color
1000417131	Iced Sliver
1000417132	Platinum
1000417133	Polarized Titanium
1000417134	Lace White
1000417135	Pearl White
1000417141	Mat Black
1000417142	Black Glossy



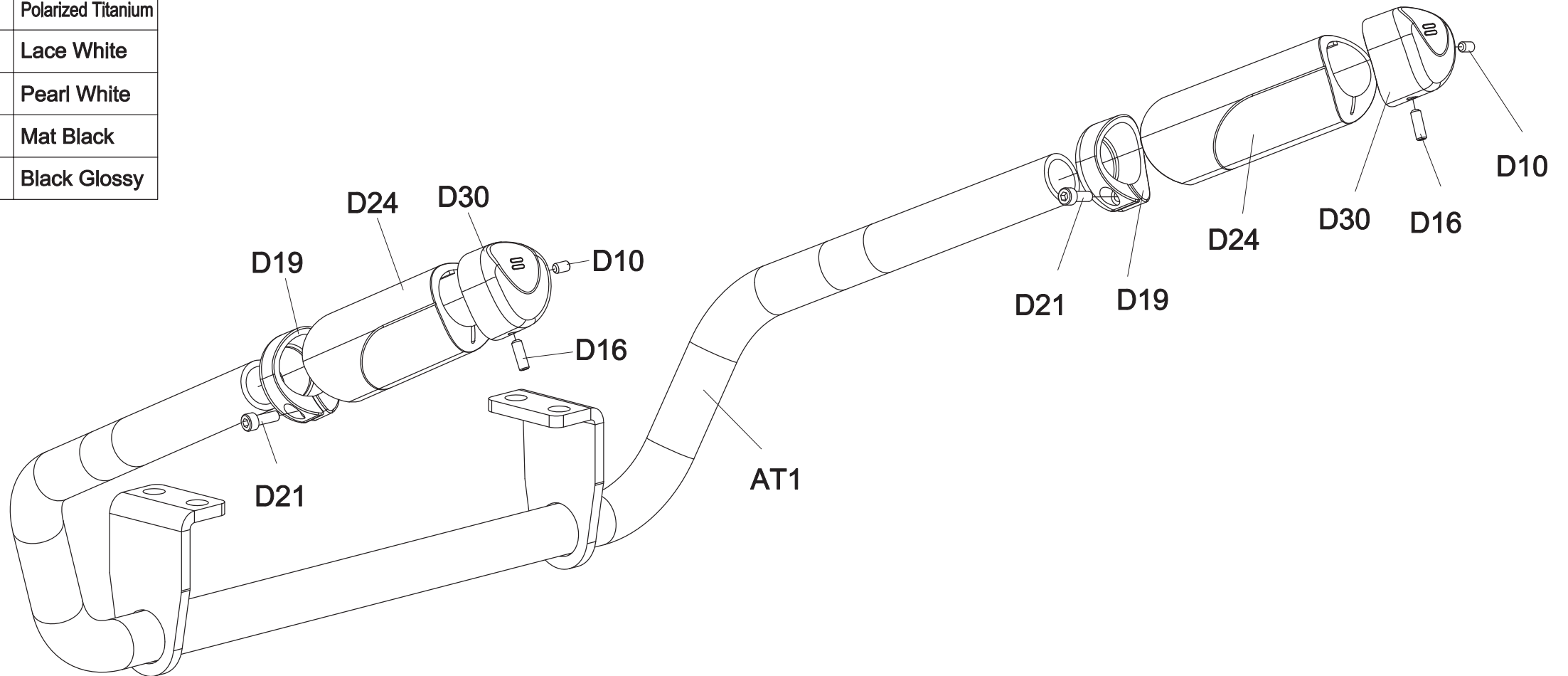
DRAWING NO	GM126-SF03		
PART NAME	Cam Fixing Set		
PART NO	See Chart	REV	A
APPROVE	PAIGE	DATE	11.13.2017

Part NO.	Color
1000417155	Iced Sliver
1000417156	Platinum
1000417157	Polarized Titanium
1000417158	Lace White
1000417159	Pearl White
1000417160	Mat Black
1000417161	Black Glossy

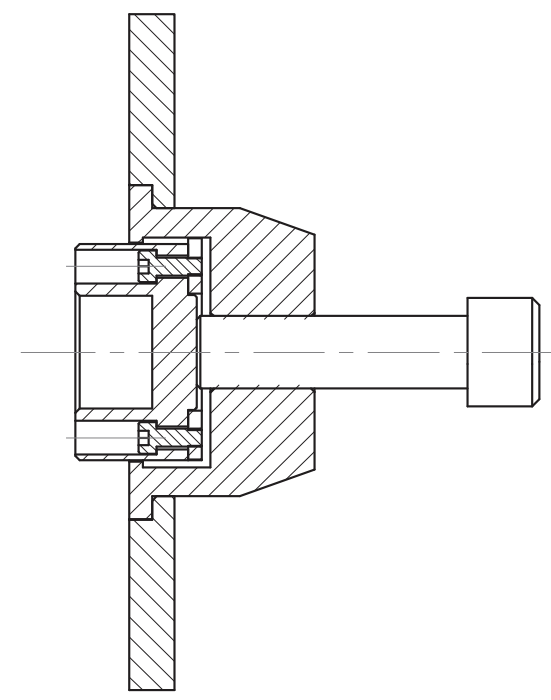
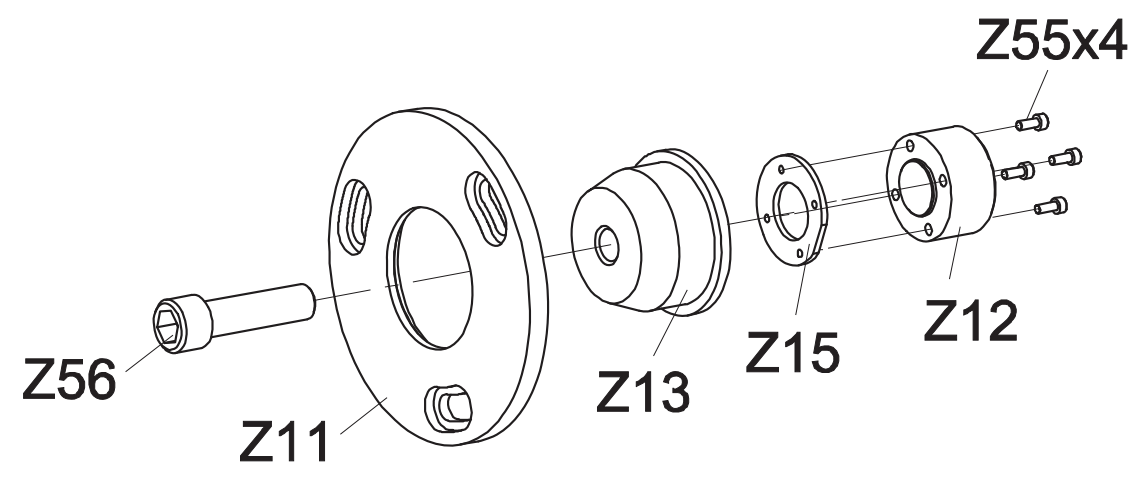


DRAWING NO	GM126-SF01		
PART NAME	Handle Set;Assembly		
PART NO	See Chart	REV	A
APPROVE	PAIGE	DATE	11.13.2017

Part NO.	Color
1000417374	Iced Sliver
1000417375	Platinum
1000417376	Polarized Titanium
1000417378	Lace White
1000417380	Pearl White
1000417381	Mat Black
1000417382	Black Glossy



DRAWING NO	GM113-SF04		
PART NAME	Grip Set ; Assembling		
PART NO	1000420787	REV	A
APPROVE	ALEX	DATE	01.26.2018



Notes:
 Z11 and Z13, tight fit, must be equipped with hydraulic press.