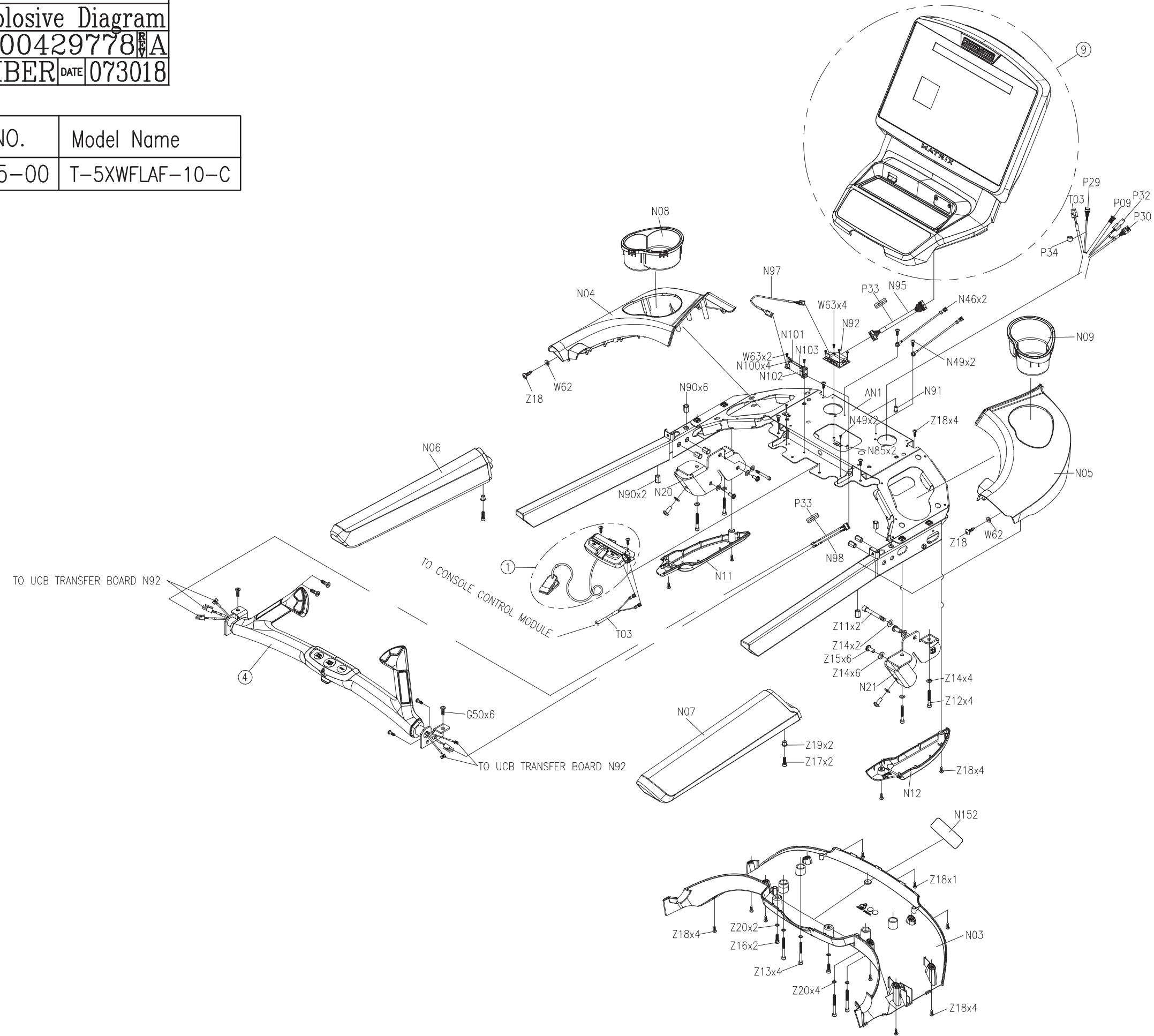


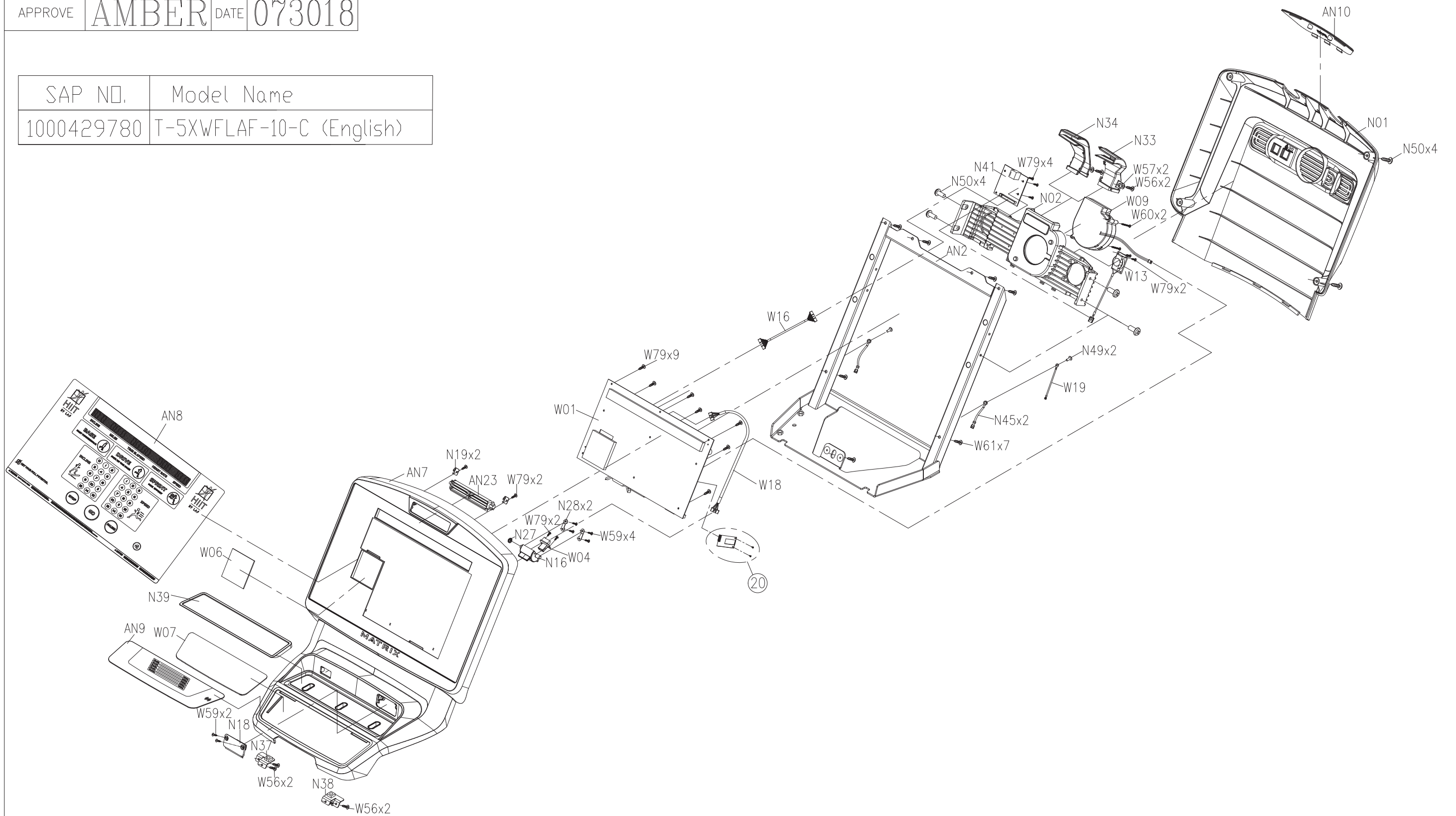
| | |
|------------|-------------------|
| DRAWING NO | TM542-A04 |
| PART NAME | Explosive Diagram |
| PART NO | 1000429778A |
| APPROVE | AMBER DATE 073018 |

| | |
|------------|----------------|
| SAP NO. | Model Name |
| MTM1155-00 | T-5XWFLAF-10-C |

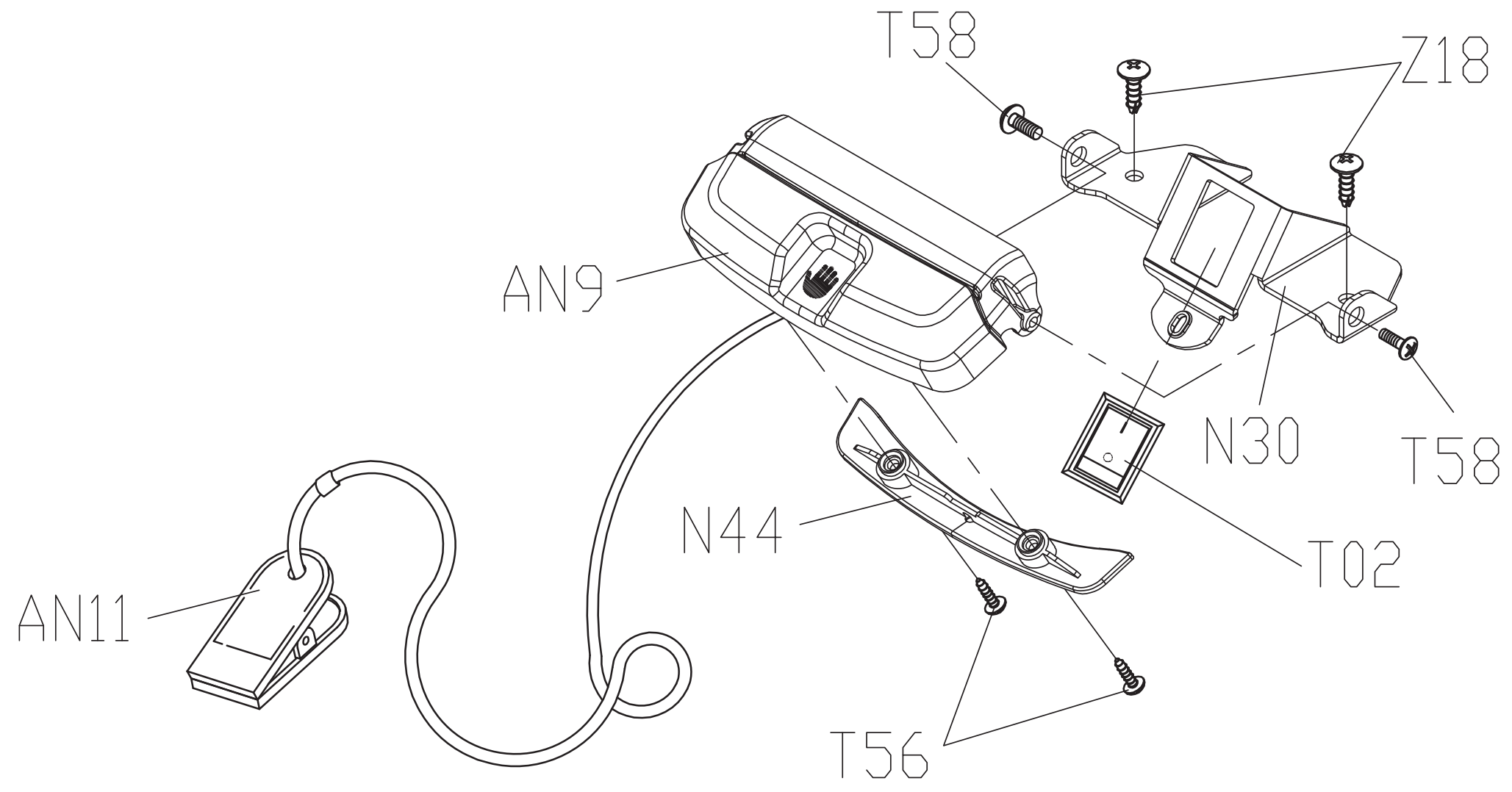


| | | | |
|------------|-------------|------|--------|
| DRAWING NO | TM542-AN11 | | |
| PART NAME | Console Set | | |
| PART NO | 1000429781 | REV | A |
| APPROVE | AMBER | DATE | 073018 |

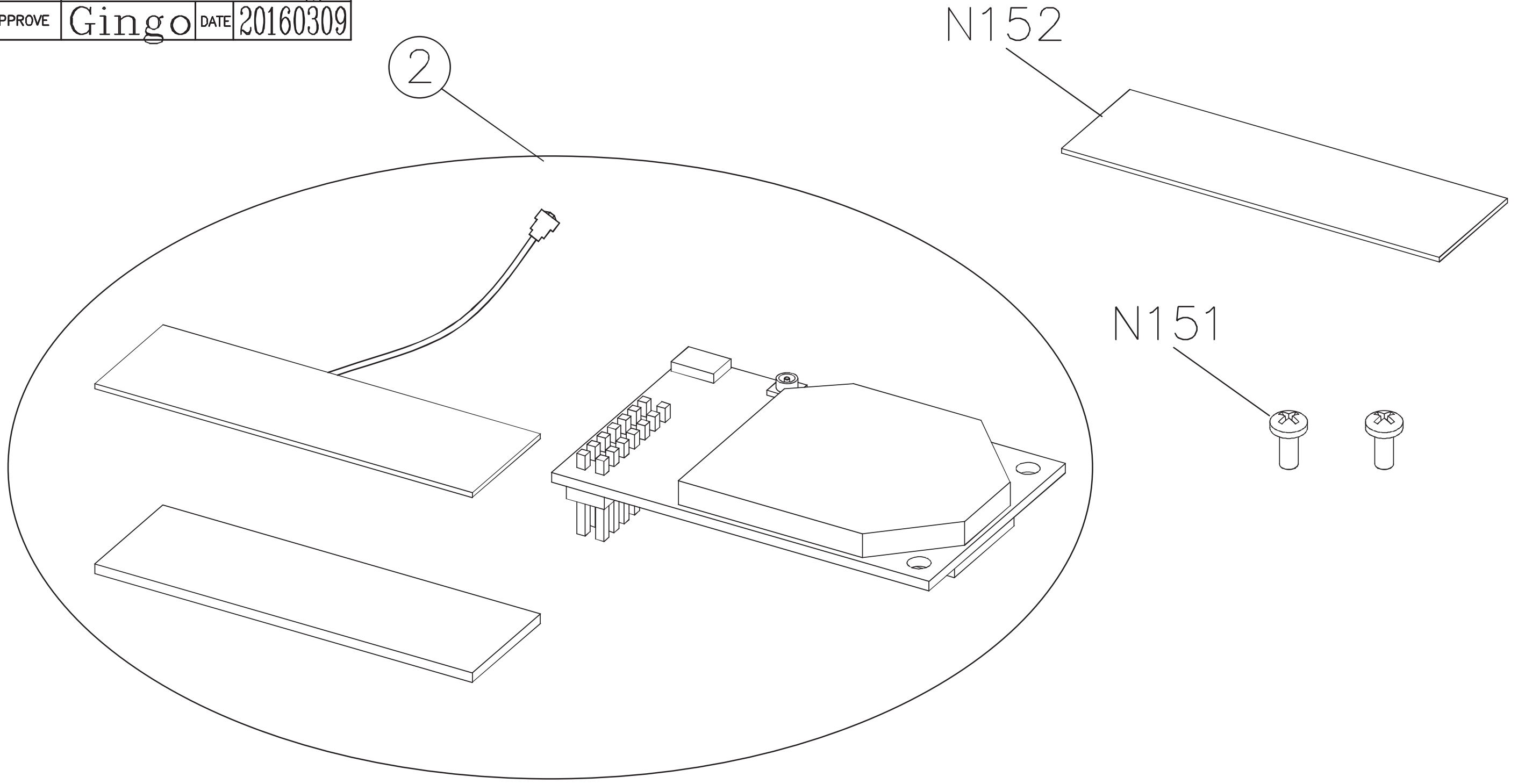
| | |
|------------|--------------------------|
| SAP NO. | Model Name |
| 1000429780 | T-5XWFLAF-10-C (English) |



| | | | |
|------------|--------------------------------------|------|--------|
| DRAWING NO | TM501-AT6 | | |
| PART NAME | SAFETY KEY SET | | |
| PART NO | 1000233602 ^R _B | | |
| APPROVE | S.T.C | DATE | 083112 |

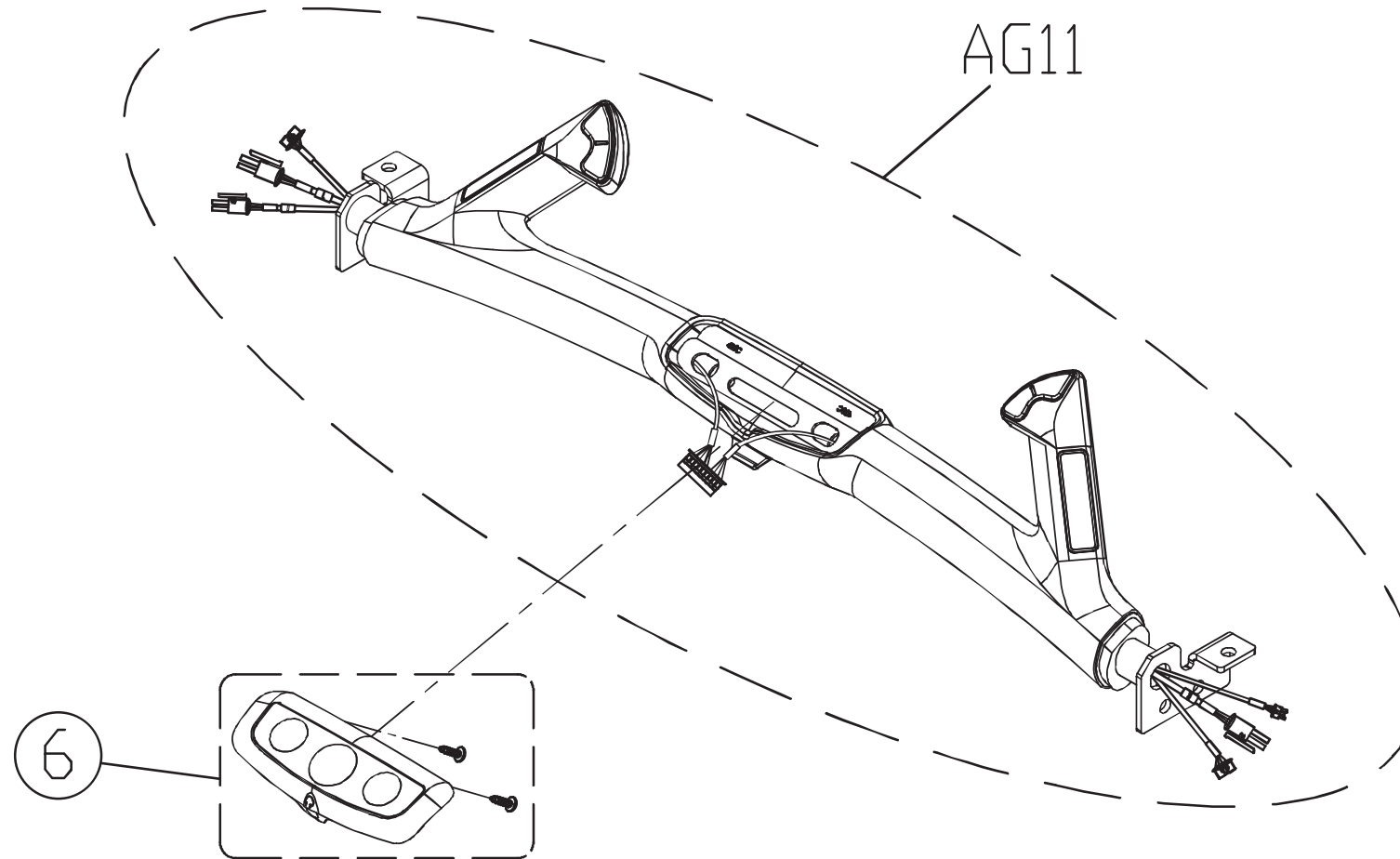


| | | | |
|------------|--------------------------|------|----------|
| DRAWING NO | EP619B-AW31 | | |
| PART NAME | WIFI Wireless module Set | | |
| PART NO | 1000366472 | REV | B |
| APPROVE | Gingo | DATE | 20160309 |



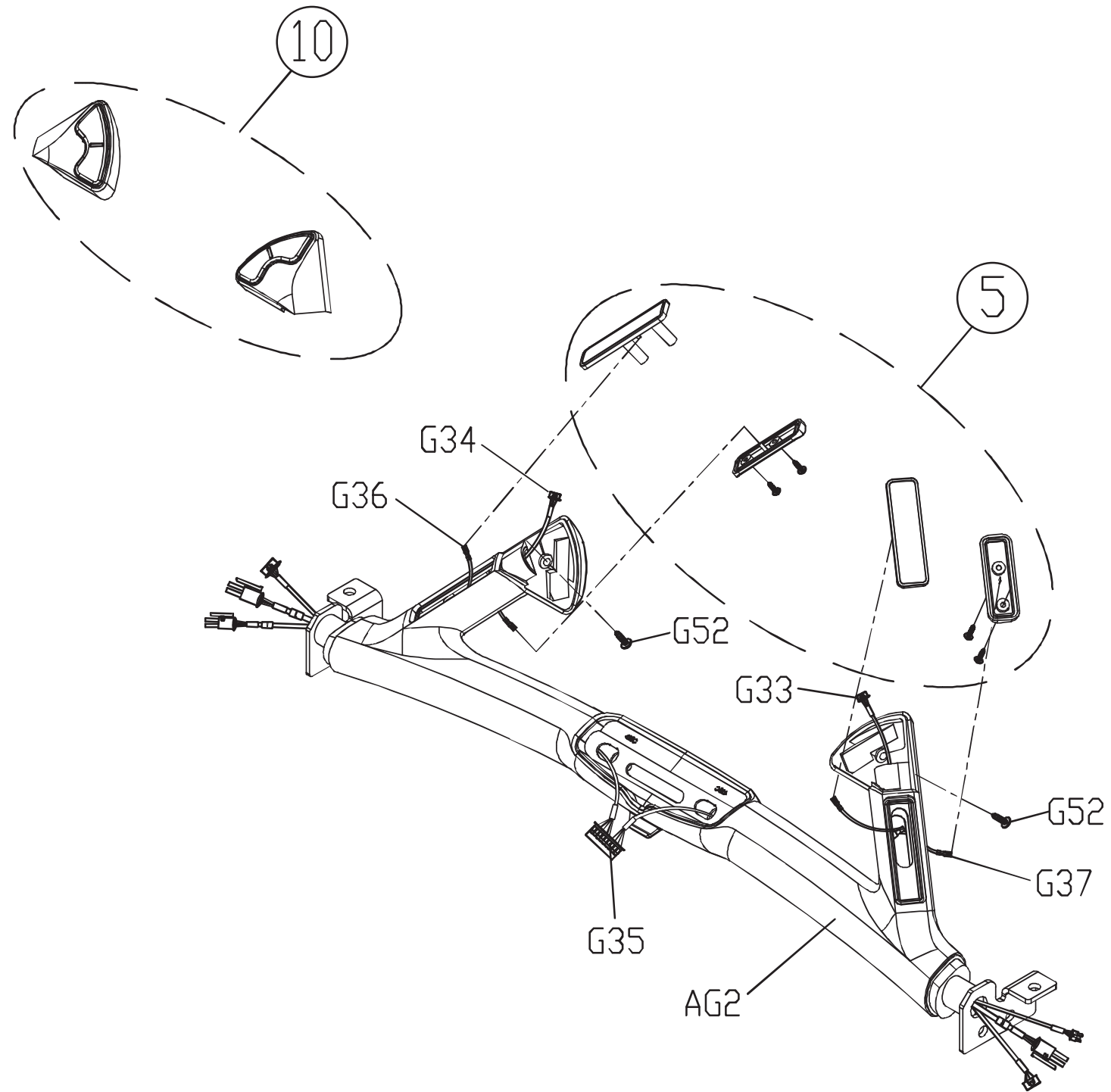
備註: 1. 軟體版次請見SAP

| | | | |
|------------|---|------|--------|
| DRAWING NO | TM530-AG21 | | |
| PART NAME | Handlebar Set | | |
| PART NO | As Attachment ^R _V B | | |
| APPROVE | ALLEN | DATE | 102015 |

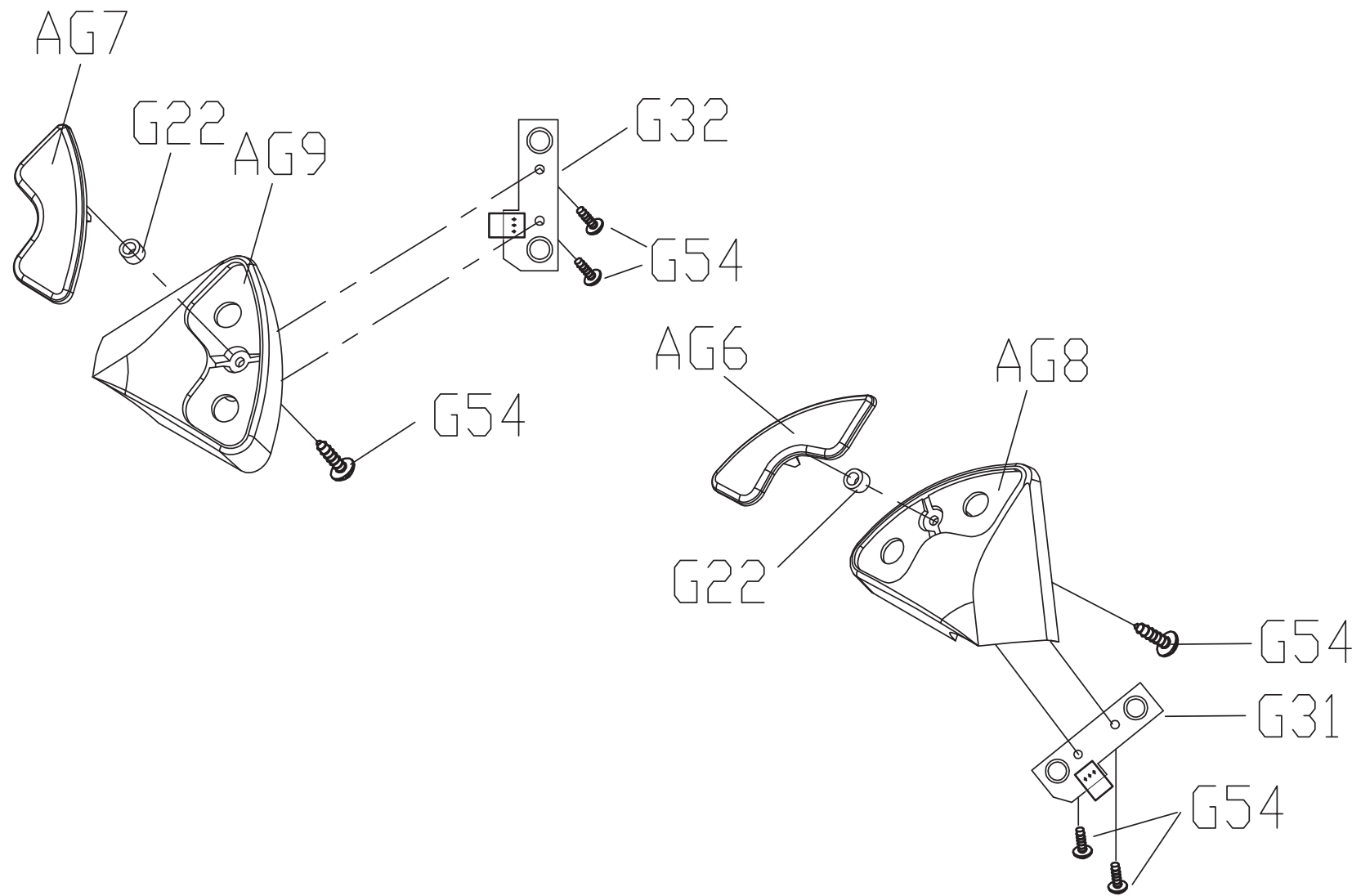


| Part NO | Description |
|------------|--------------------------|
| 1000377477 | Handlebar Set;English |
| 1000377487 | Handlebar Set;German |
| 1000377488 | Handlebar Set;Spanish |
| 1000377489 | Handlebar Set;Italian |
| 1000377490 | Handlebar Set;French |
| 1000377491 | Handlebar Set;Dutch |
| 1000377492 | Handlebar Set;Polish |
| 1000377493 | Handlebar Set;Portuguese |
| 1000377484 | Handlebar Set;Japanese |

| | | | |
|------------|---------------|------|--------|
| DRAWING NO | TM530-AG11 | | |
| PART NAME | Handlebar Set | | |
| PART NO | 1000377480 | REV | B |
| APPROVE | ALLEN | DATE | 102015 |



| | | | |
|------------|--|------|--------|
| DRAWING NO | TM502-AG12 | | |
| PART NAME | Quick Key Set | | |
| PART NO | 0000089687 ^R ₁ B | | |
| APPROVE | SHUYI | DATE | 101211 |

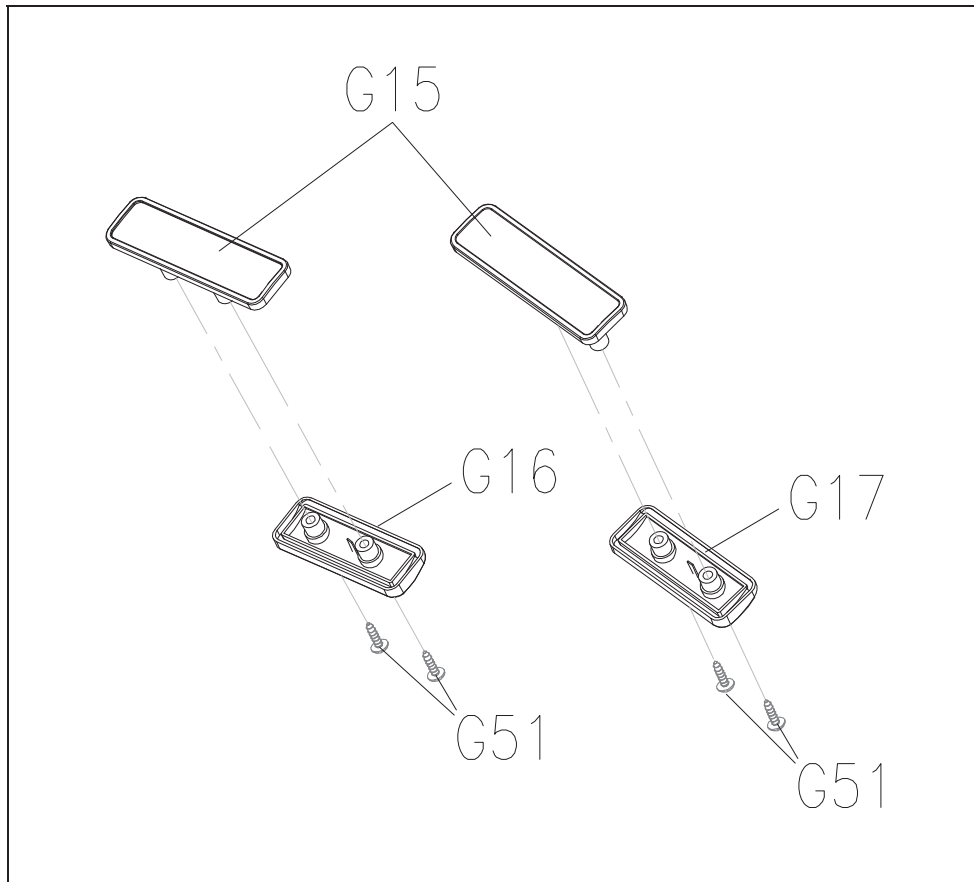




T7x-01-C

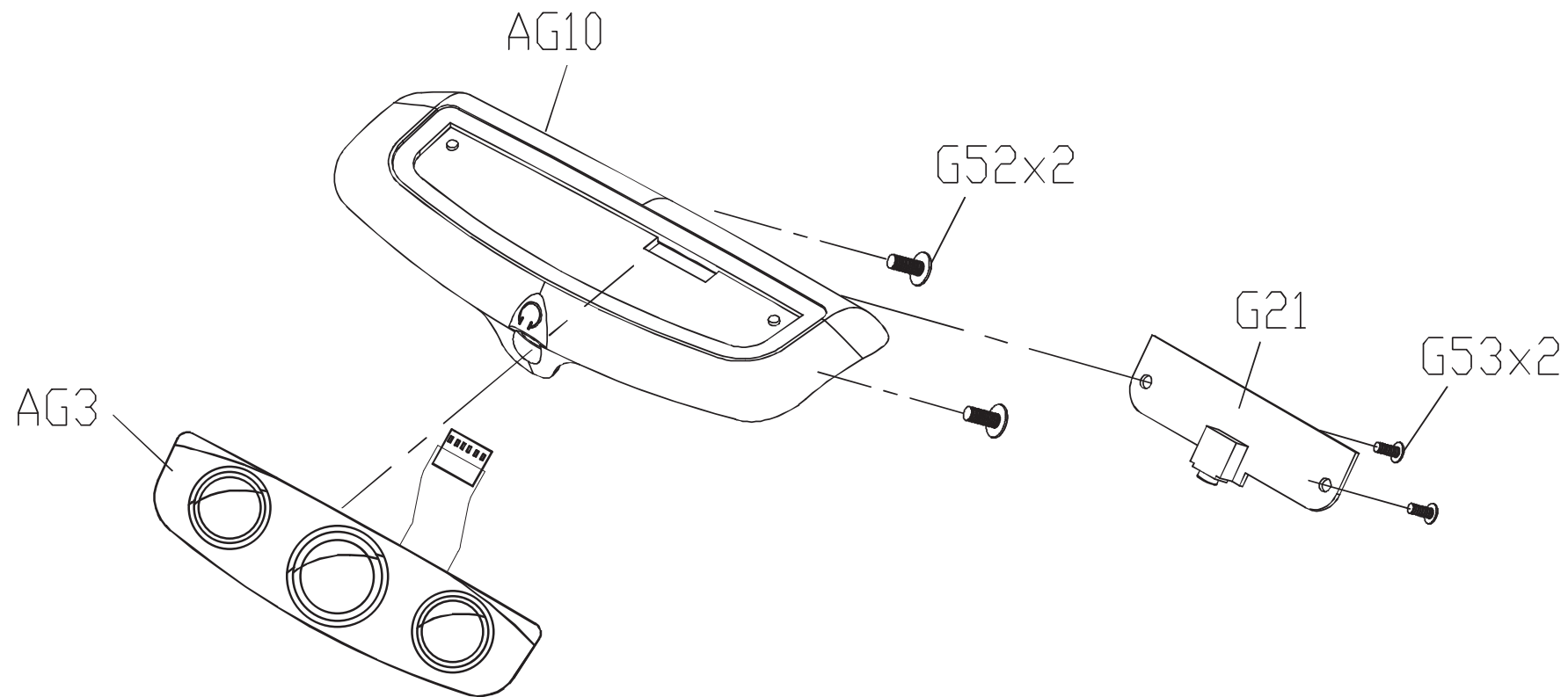
0000091816

HR GRIP COVER SET



| Item No. | SAP Part NO | Description | QTY |
|----------|-------------|---------------------------|-----|
| G15 | 0000086068 | COVER ; SENSOR ; UPPER | 2 |
| G16 | 0000086092 | COVER ; SENSOR ; LEFT ; | 1 |
| G17 | 0000086271 | COVER ; SENSOR ; RIGHT ; | 1 |
| G51 | 0000087858 | SCREW ; PHILLIP ; ROUND ; | 4 |

| | | | |
|------------|--|------|--------|
| DRAWING NO | TM527-AG22 | | |
| PART NAME | Quick Start Overlay Set | | |
| PART NO | As Attachment ^R / _E / _D | | |
| APPROVE | Heady | DATE | 060116 |



| Part NO | Description |
|------------|--------------------------|
| 1000385846 | ES/MS;English;T-7xe-05-C |
| 1000385847 | MS;German;T-7xe-05-C |
| 1000385848 | MS;Spanish;T-7xe-05-C |
| 1000385849 | MS;Italian;T-7xe-05-C |
| 1000385850 | MS;French;T-7xe-05-C |
| 1000385851 | MS;Dutch;T-7xe-05-C |
| 1000385852 | MS;Polish;T-7xe-05-C |
| 1000385853 | MS;Portuguese;T-7xe-05-C |
| 1000385854 | MS;Japan;T-7xe-05-C |