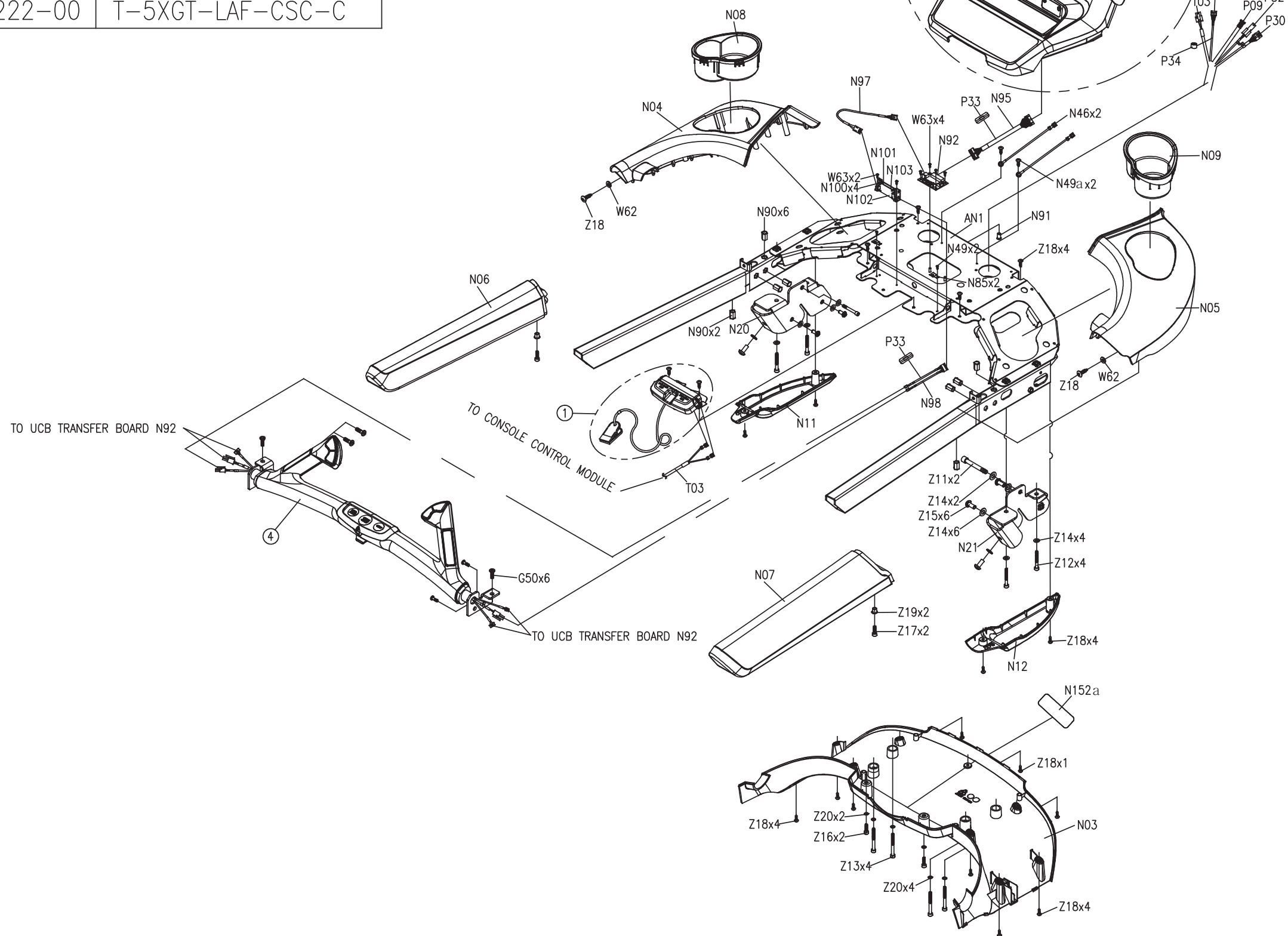
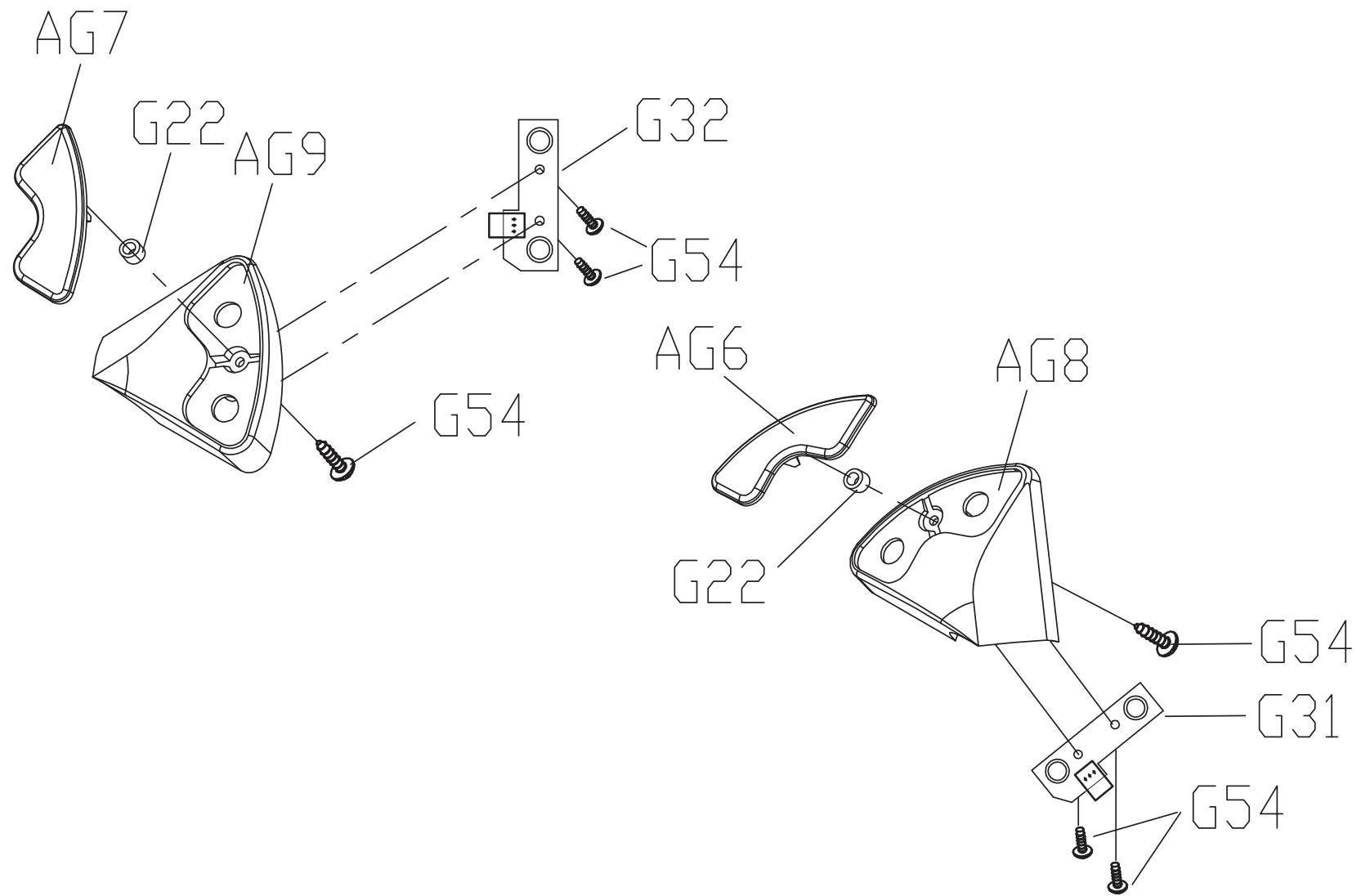


DRAWING NO	TM544-A04
PART NAME	Explosive Diagram
PART NO	1000445282A
APPROVE	AMBER DATE 092019

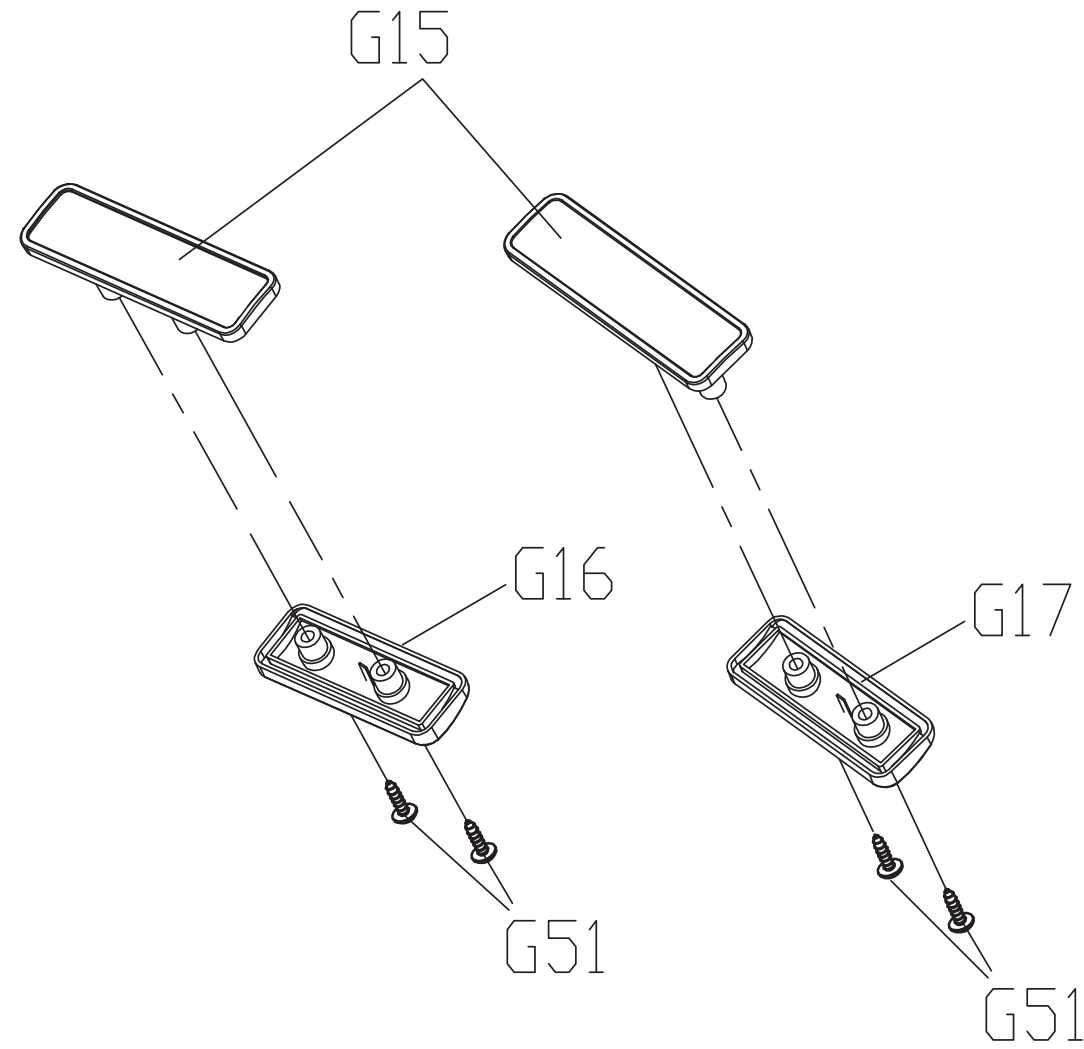
SAP NO.	Model Name
MTM1221-00	T-5XGT-LAF-02-C
MTM1222-00	T-5XGT-LAF-CSC-C



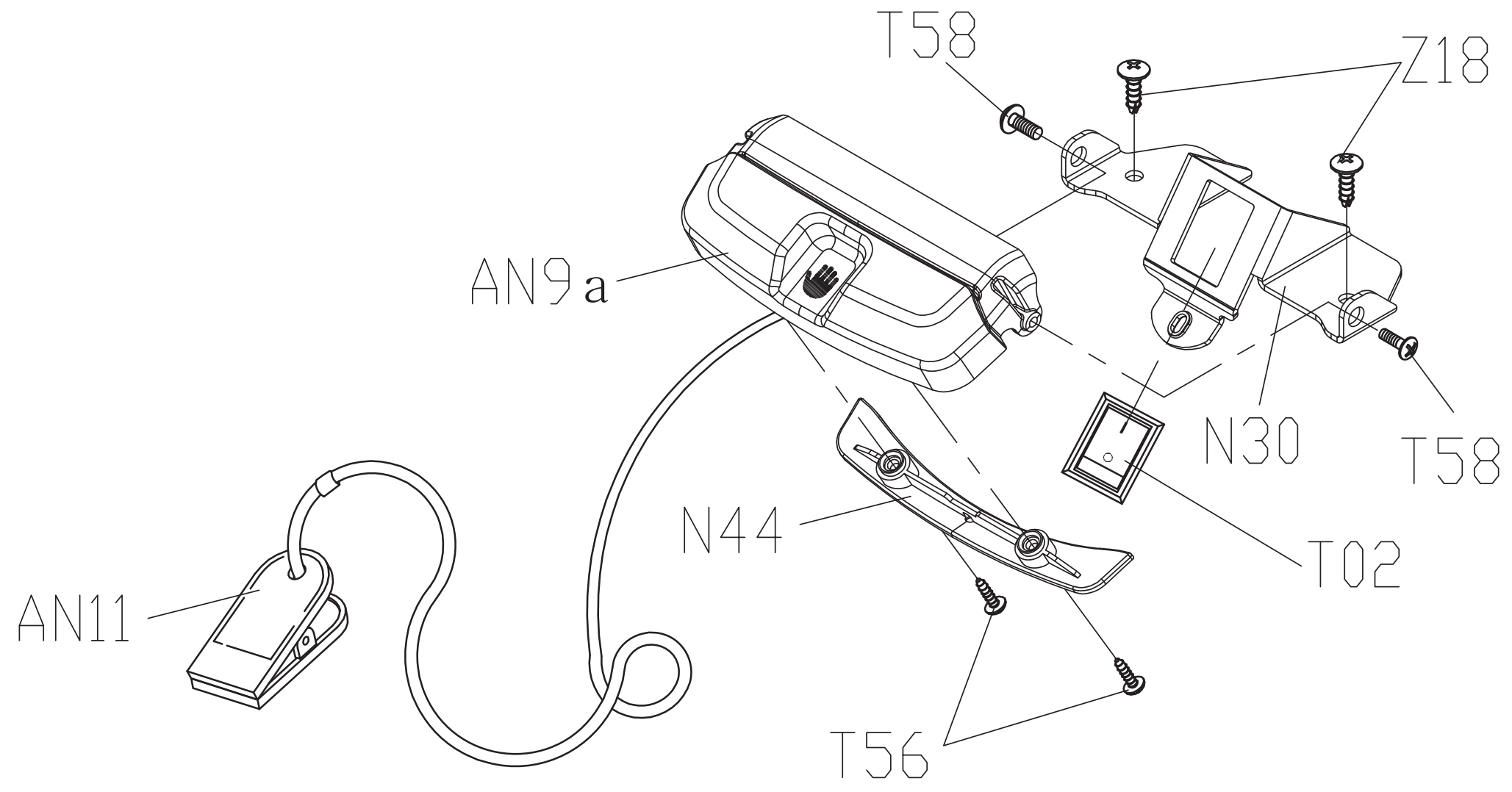
DRAWING NO	TM502-AG12		
PART NAME	Quick Key Set		
PART NO	0000089687 ^R ₁ B		
APPROVE	SHUYI	DATE	101211



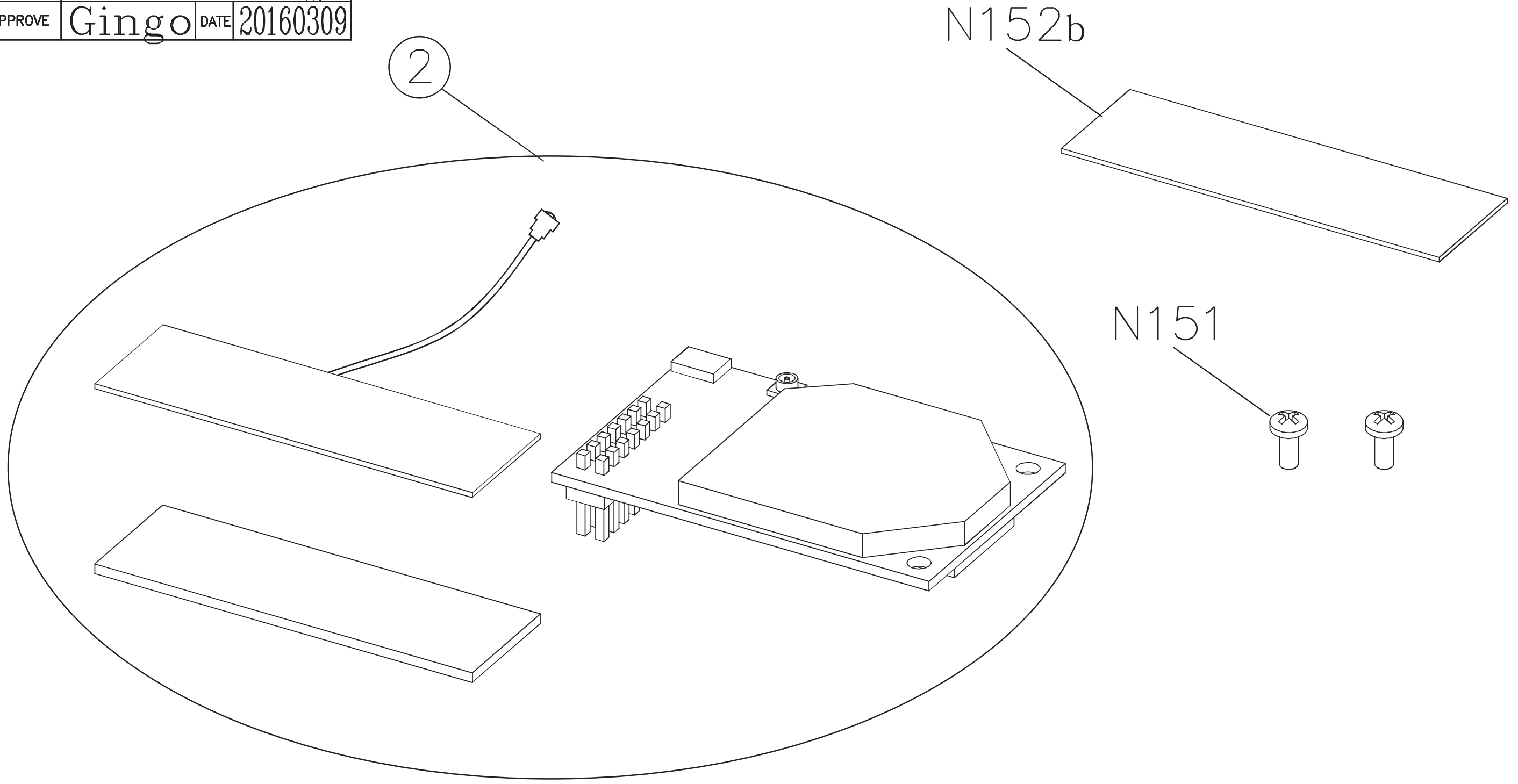
DRAWING NO	TM502-AG13		
PART NAME	HR Grip Cover Set		
PART NO	0000091816 ^{REV} A		
APPROVE	SHUYI	DATE	07.26.10



DRAWING NO	TM501-AT6		
PART NAME	SAFETY KEY SET		
PART NO	1000233602 ^R / _B		
APPROVE	S.T.C	DATE	083112

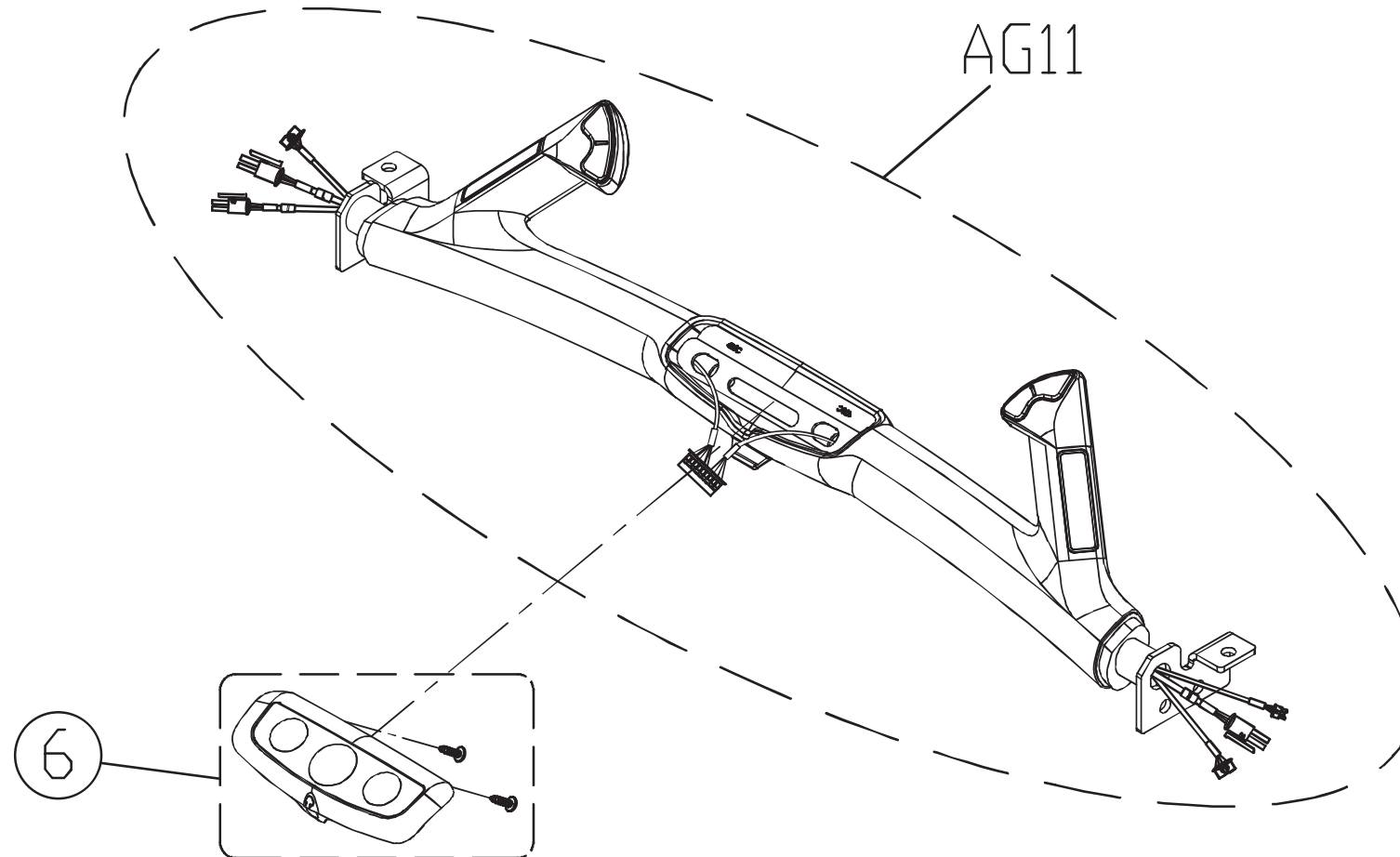


DRAWING NO	EP619B-AW31		
PART NAME	WIFI Wireless module Set		
PART NO	1000366472	REV	B
APPROVE	Gingo	DATE	20160309



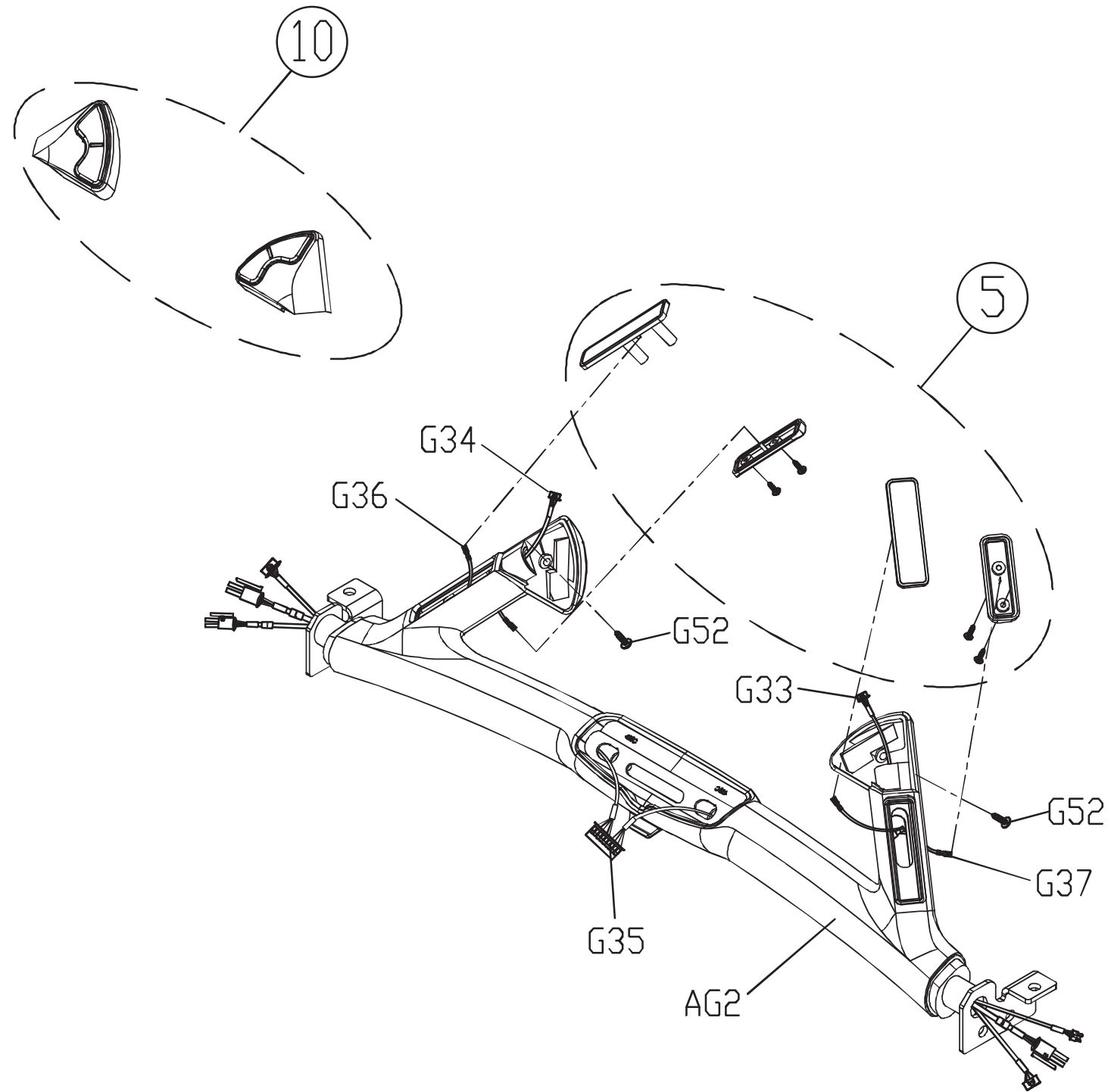
備註: 1. 軟體版次請見SAP

DRAWING NO	TM530-AG21		
PART NAME	Handlebar Set		
PART NO	As Attachment ^R _V B		
APPROVE	ALLEN	DATE	102015

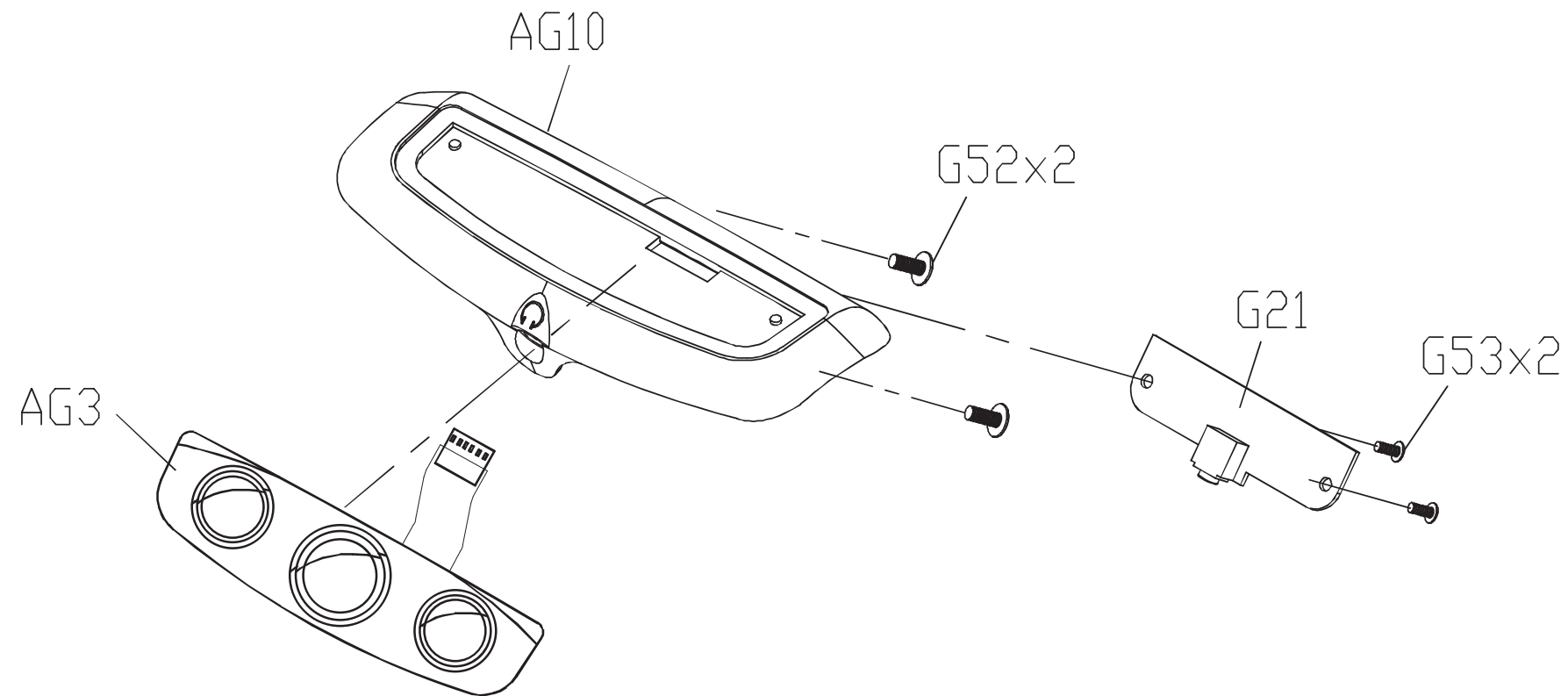


Part NO	Description
1000377477	Handlebar Set;English
1000377487	Handlebar Set;German
1000377488	Handlebar Set;Spanish
1000377489	Handlebar Set;Italian
1000377490	Handlebar Set;French
1000377491	Handlebar Set;Dutch
1000377492	Handlebar Set;Polish
1000377493	Handlebar Set;Portuguese
1000377484	Handlebar Set;Japanese

DRAWING NO	TM530-AG11		
PART NAME	Handlebar Set		
PART NO	1000377480	REV	B
APPROVE	ALLEN	DATE	102015



DRAWING NO	TM527-AG22		
PART NAME	Quick Start Overlay Set		
PART NO	As Attachment ^R / _E / _D		
APPROVE	Heady	DATE	060116



Part NO	Description
1000385846	ES/MS;English;T-7xe-05-C
1000385847	MS;German;T-7xe-05-C
1000385848	MS;Spanish;T-7xe-05-C
1000385849	MS;Italian;T-7xe-05-C
1000385850	MS;French;T-7xe-05-C
1000385851	MS;Dutch;T-7xe-05-C
1000385852	MS;Polish;T-7xe-05-C
1000385853	MS;Portuguese;T-7xe-05-C
1000385854	MS;Japan;T-7xe-05-C