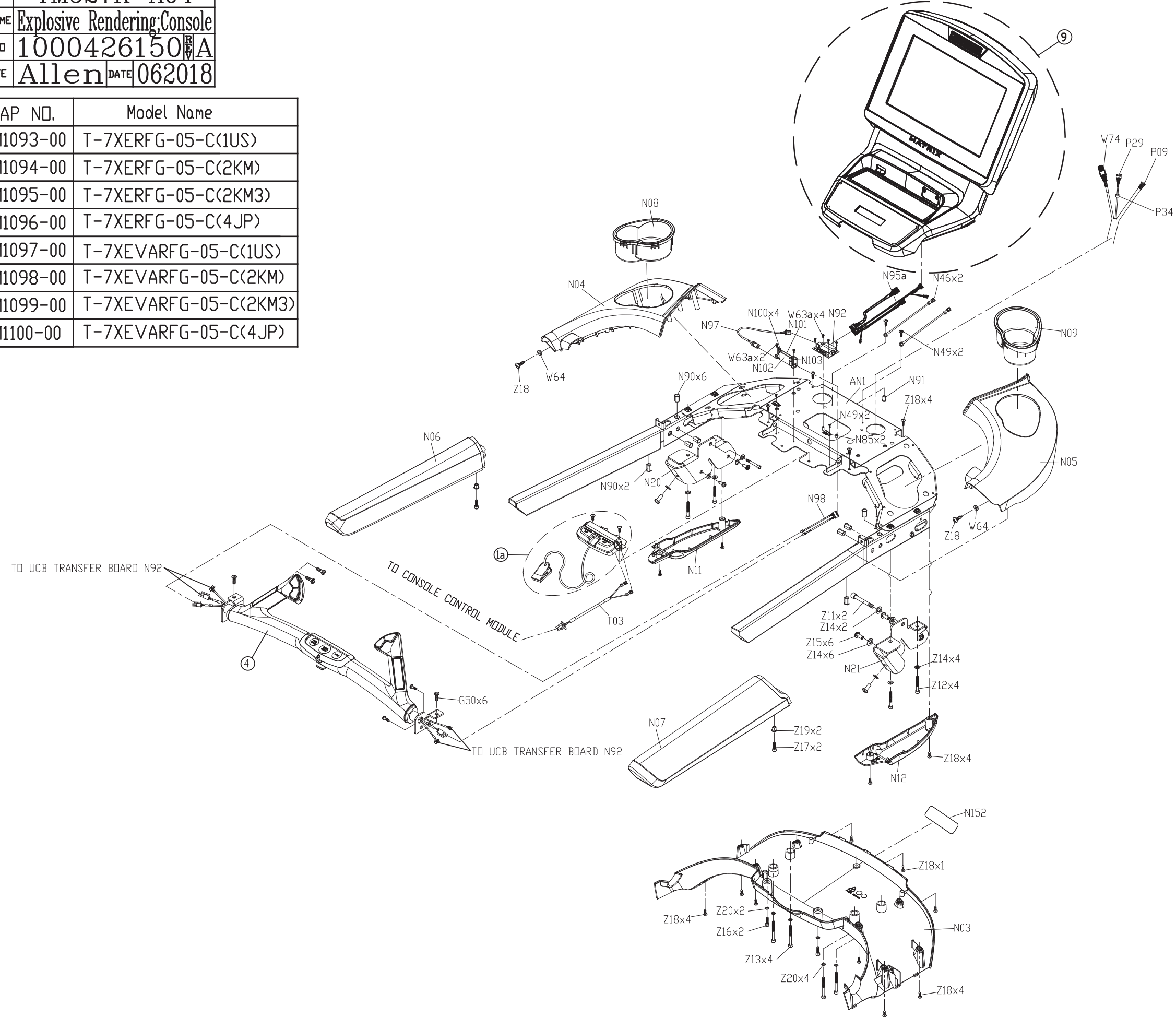


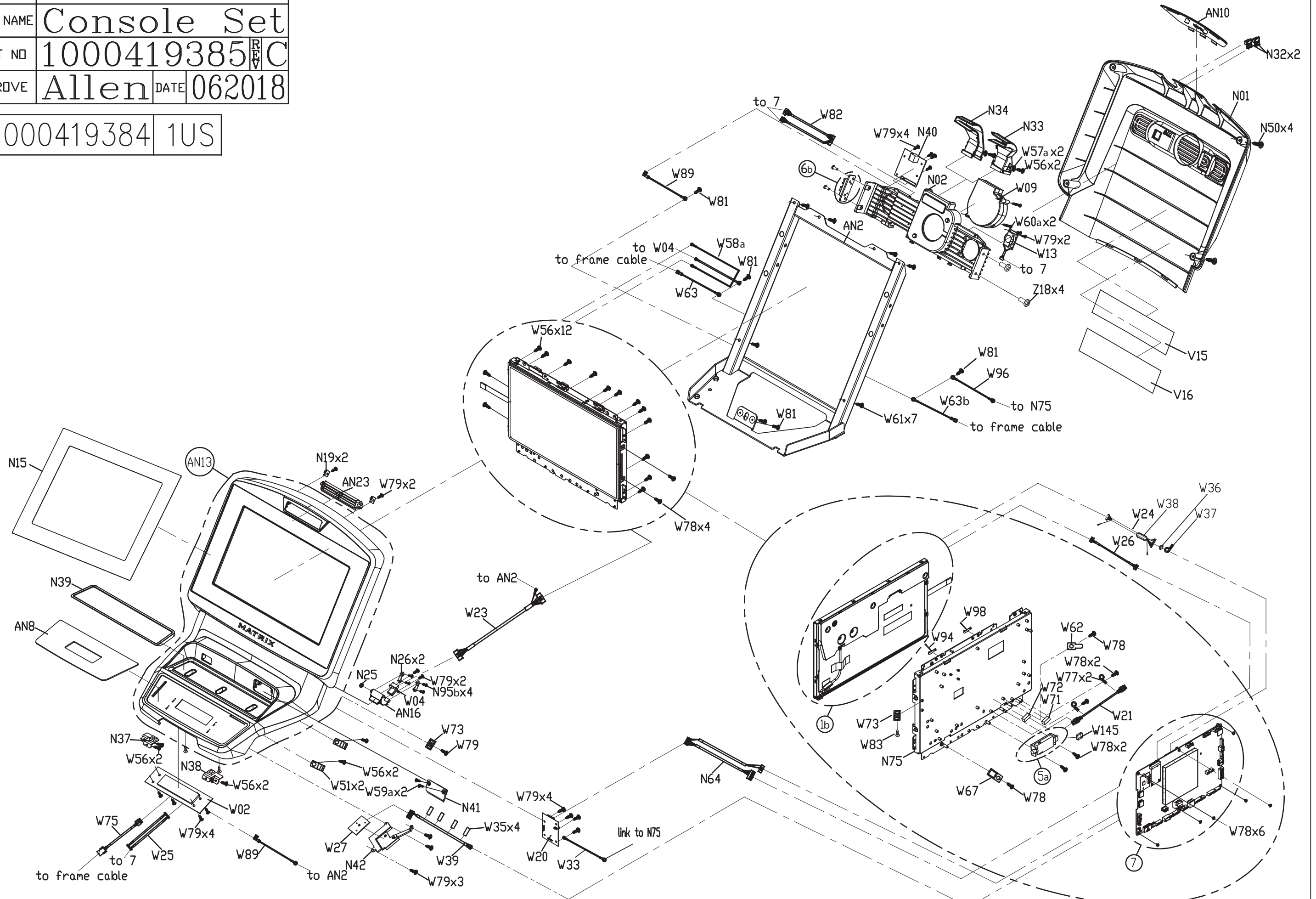
DRAWING NO	TM527K-A04
PART NAME	Explosive Rendering Console
PART NO	1000426150A
APPROVE	Allen DATE 062018

SAP NO.	Model Name
MTM1093-00	T-7XERFG-05-C(1US)
MTM1094-00	T-7XERFG-05-C(2KM)
MTM1095-00	T-7XERFG-05-C(2KM3)
MTM1096-00	T-7XERFG-05-C(4JP)
MTM1097-00	T-7XEVARFG-05-C(1US)
MTM1098-00	T-7XEVARFG-05-C(2KM)
MTM1099-00	T-7XEVARFG-05-C(2KM3)
MTM1100-00	T-7XEVARFG-05-C(4JP)

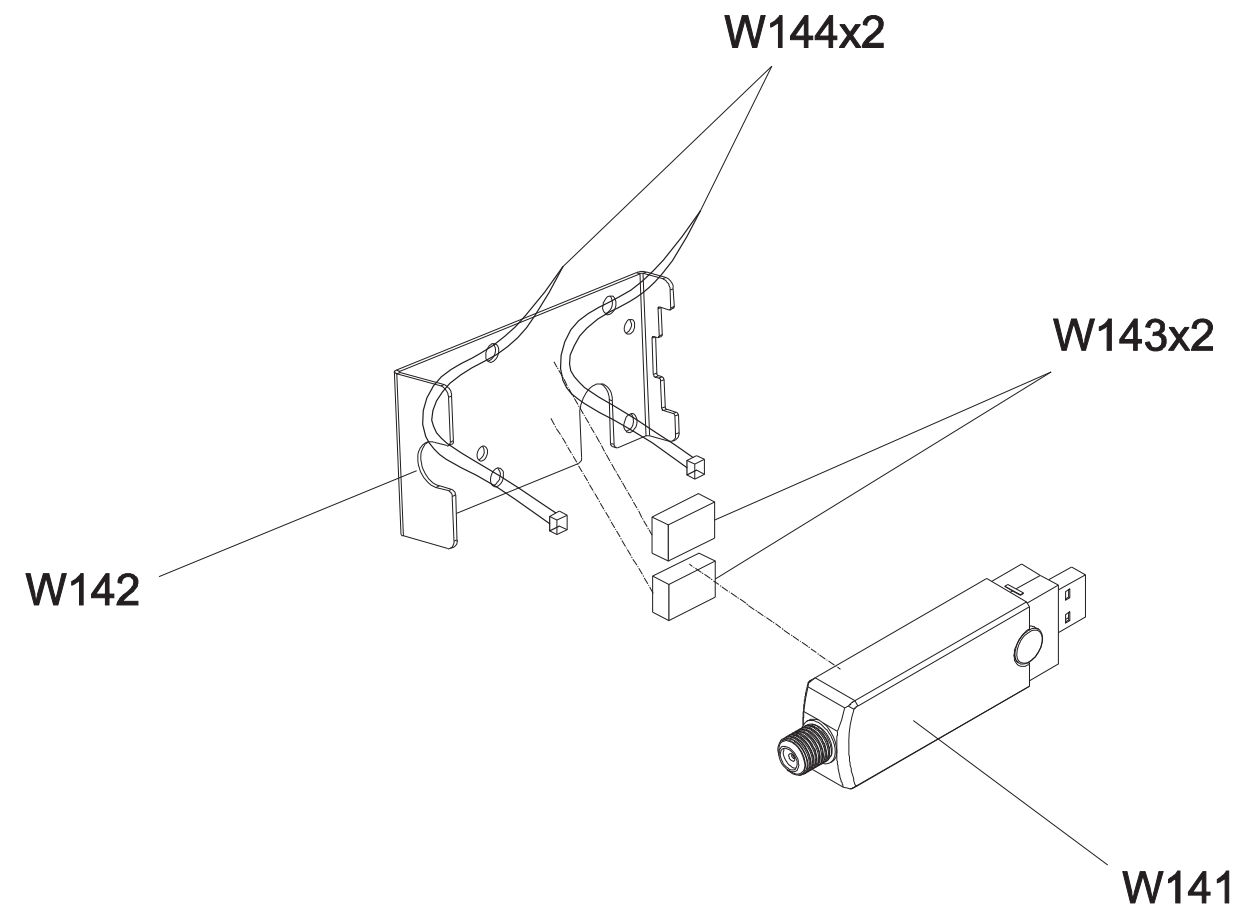


DRAWING NO	TM527K-AN31		
PART NAME	Console Set		
PART NO	1000419385	REV	C
APPROVE	Allen	DATE	062018

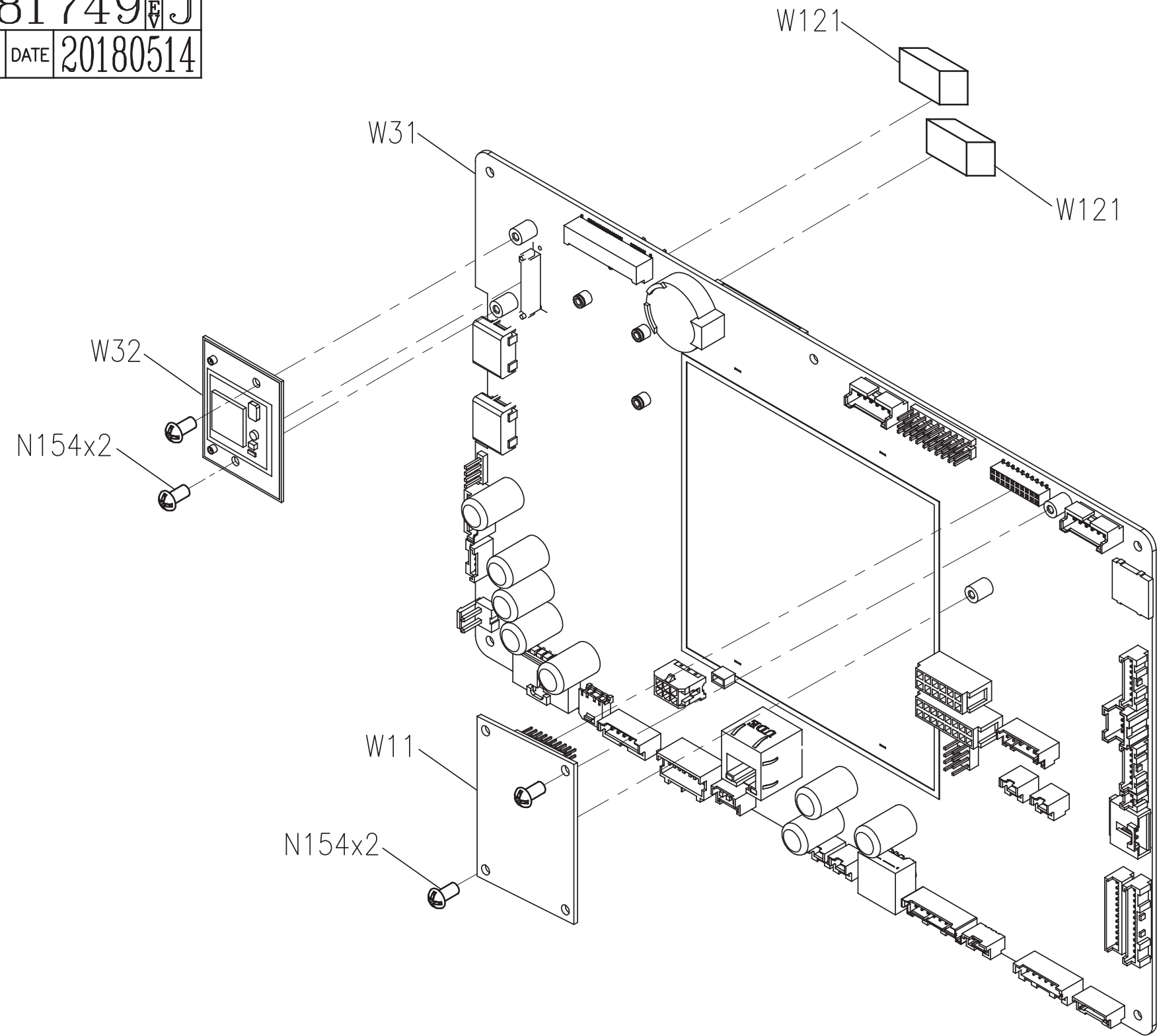
1000419384 1US



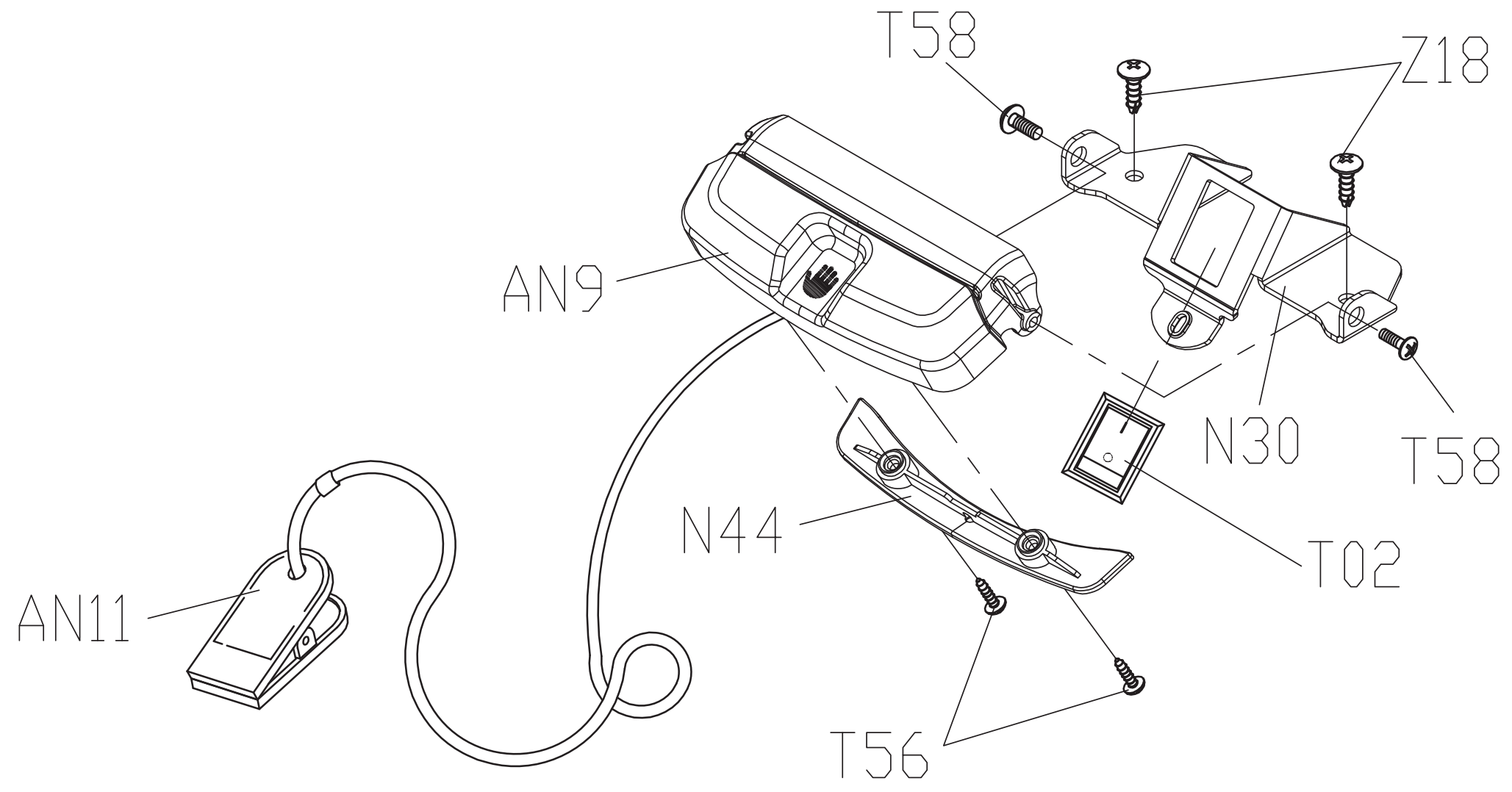
DRAWING NO	EP614C-AW51		
PART NAME	TV STICK SET		
PART NO	1000356574	REV	C
APPROVE	Dragon Long	DATE	2016.6.20



DRAWING NO	EP620B-AW31		
PART NAME	Control Board Set		
PART NO	1000381749 ^R _J		
APPROVE	tsaijw	DATE	20180514

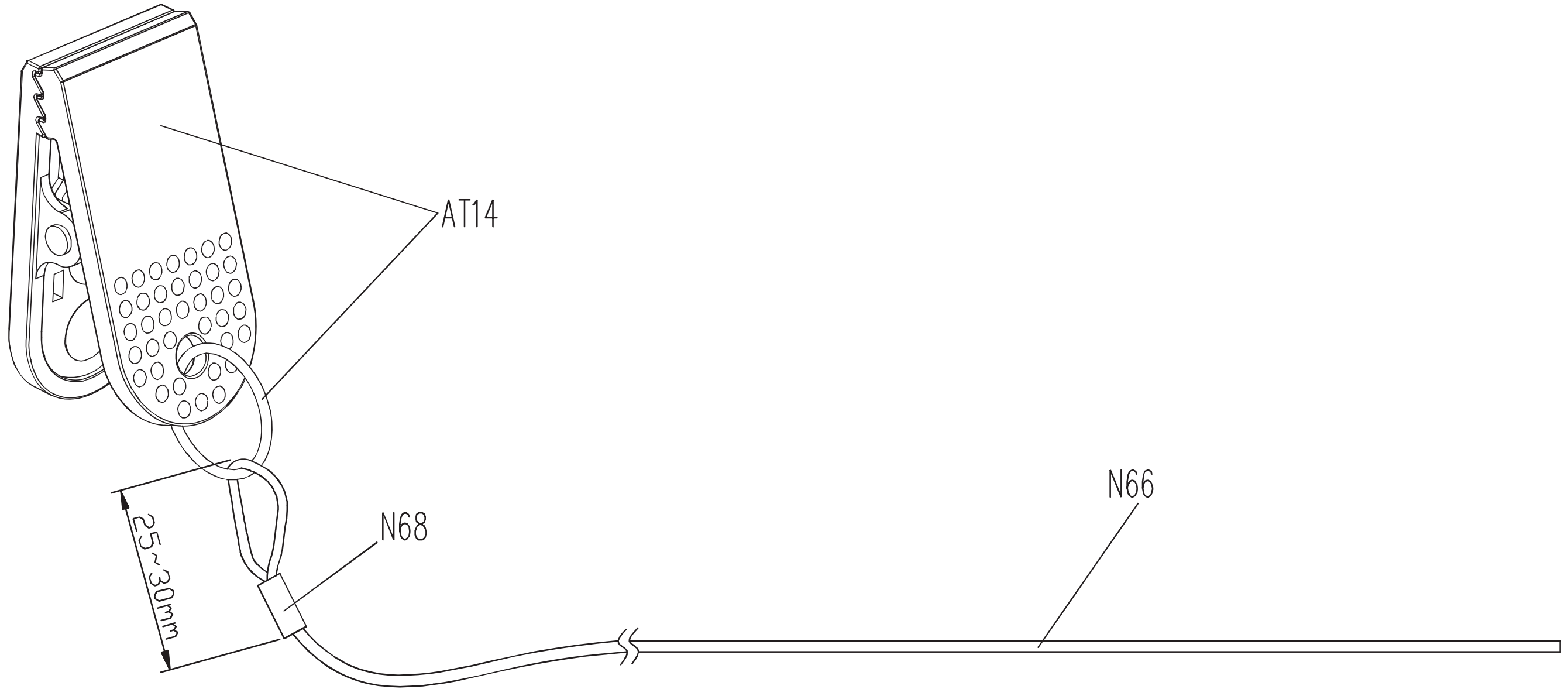


DRAWING NO	TM501-AT6		
PART NAME	SAFETY KEY SET		
PART NO	1000233602 <small>REV</small> B		
APPROVE	S.T.C	DATE	083112

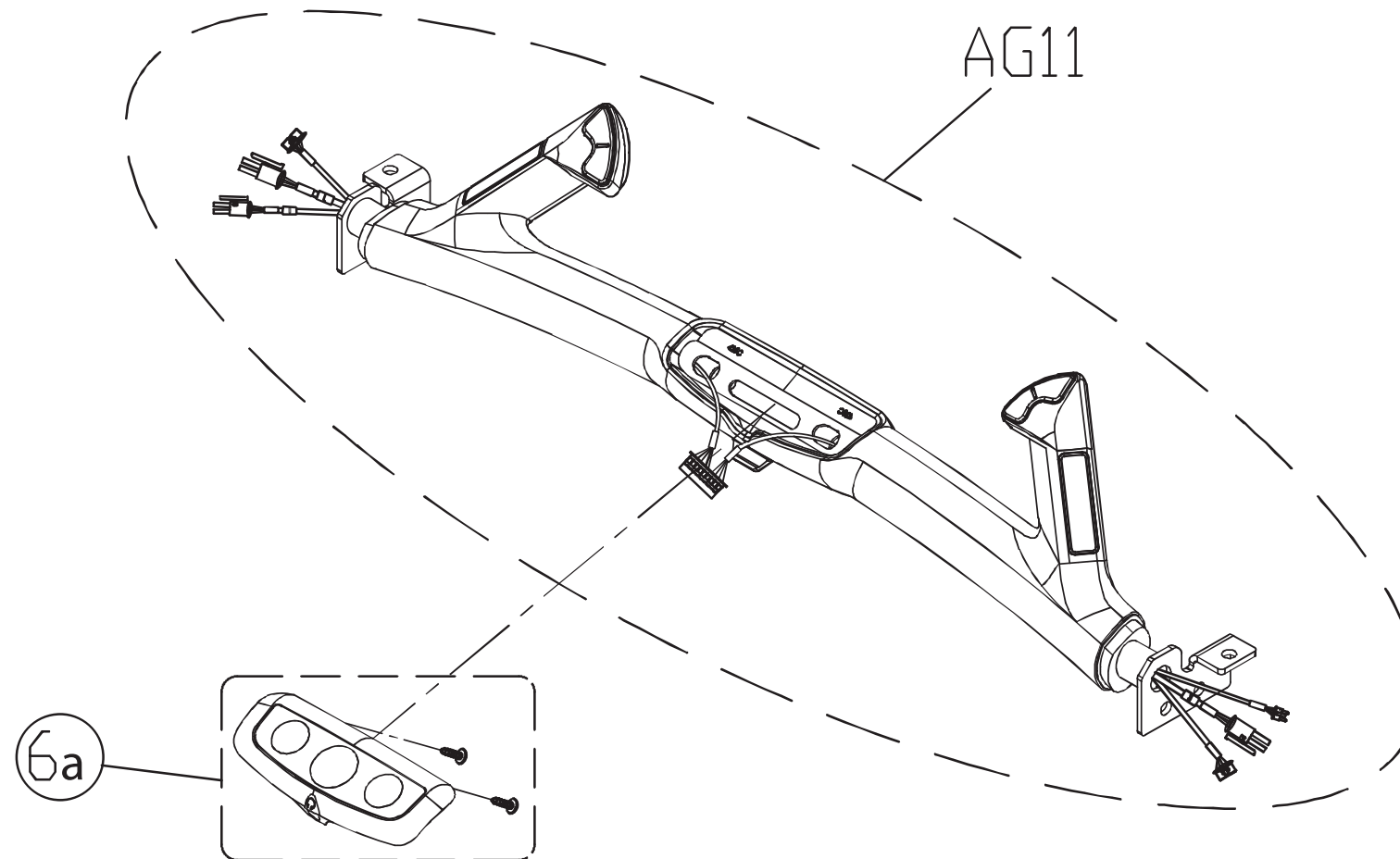


DRAWING NO	TM501-AT13		
PART NAME	Safety Switch Set		
PART NO	1000352475 ^R _B		
APPROVE	JARVIS	DATE	100314

Note: Length of assembly(Chip/Key ring)860~870mm

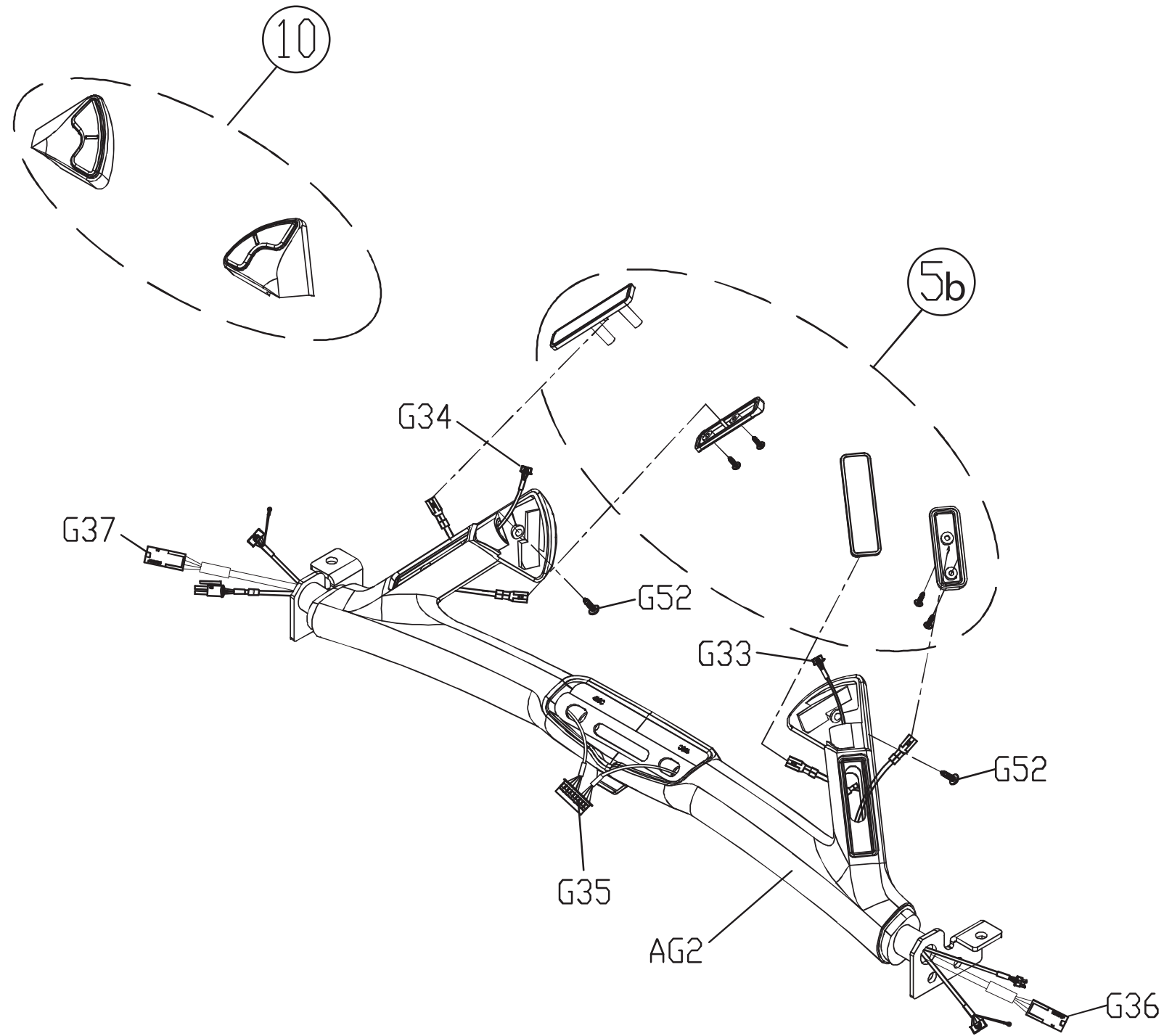


DRAWING NO	TM527-AG21		
PART NAME	Handlebar Set		
PART NO	As Attachment ^{REV} B		
APPROVE	SHUYI	DATE	052115

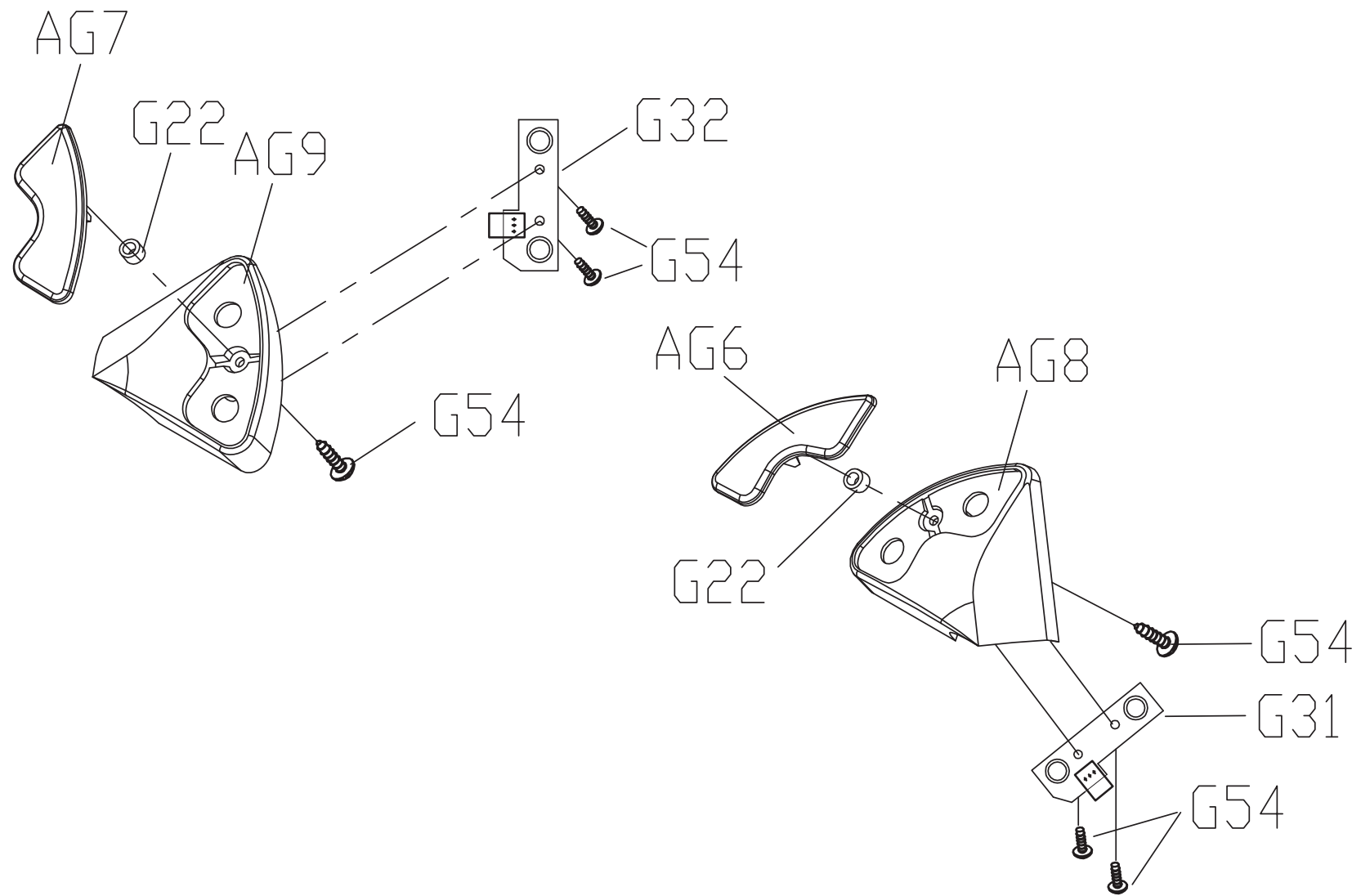


Part NO	Description
1000356217	Handlebar Set;English
1000361041	Handlebar Set;German
1000361043	Handlebar Set;Spanish
1000361045	Handlebar Set;Italian
1000361047	Handlebar Set;French
1000361050	Handlebar Set;Dutch
1000361052	Handlebar Set;Polish
1000361054	Handlebar Set;Portuguese
1000356360	Handlebar Set;Japan

DRAWING NO	TM527-AG11		
PART NAME	Handlebar Set		
PART NO	1000356383	REV	C
APPROVE	Hsinyen	DATE	030915



DRAWING NO	TM502-AG12		
PART NAME	Quick Key Set		
PART NO	0000089687 ^R _{REV} B		
APPROVE	SHUYI	DATE	101211

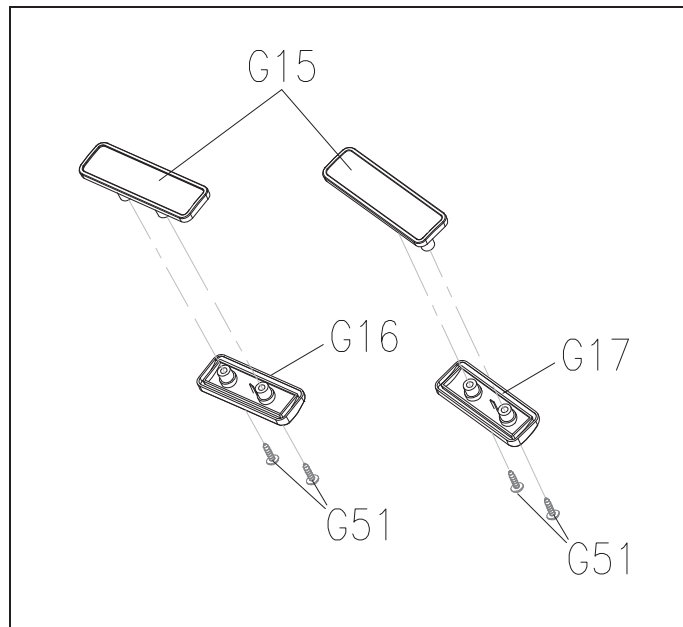




T7x-01-C

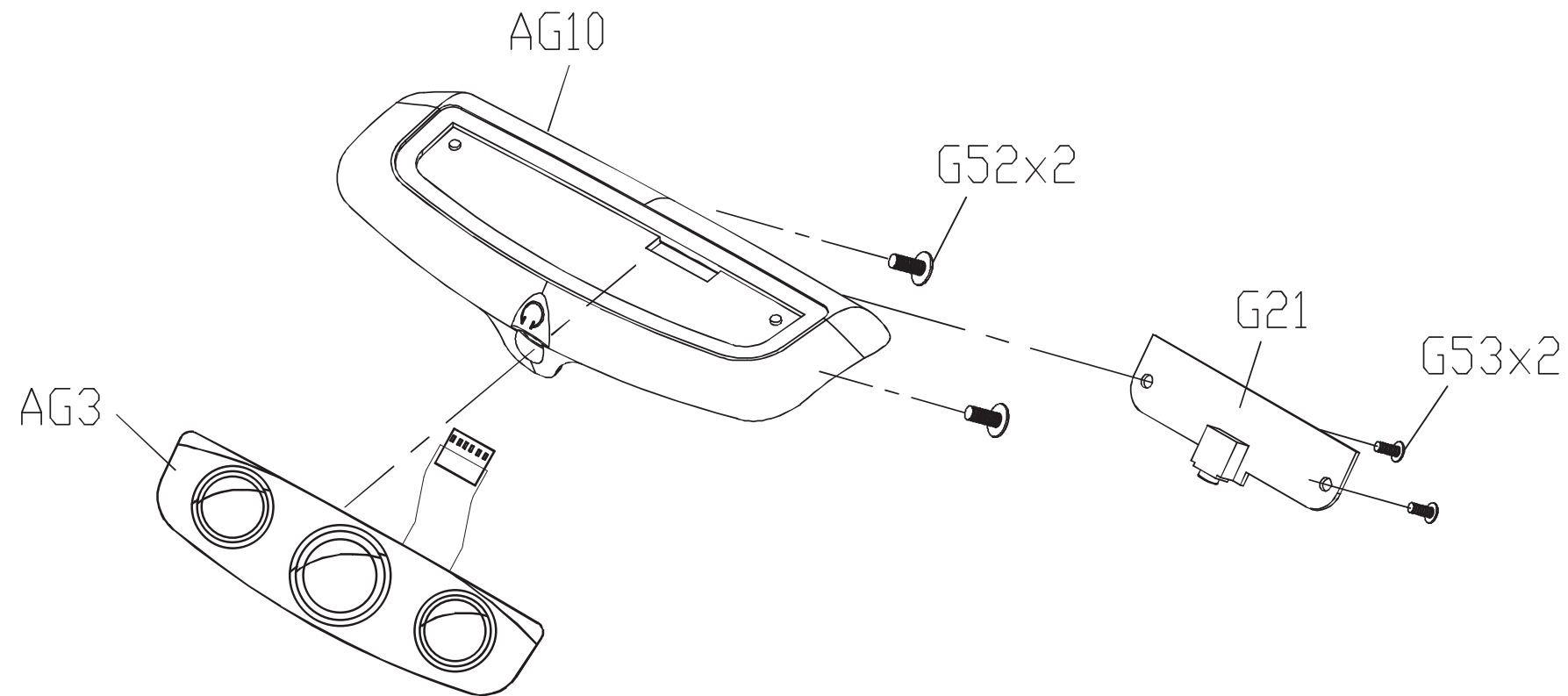
0000091816

HR GRIP COVER SET



Item No.	SAP Part NO	Description	QTY
G15	0000086068	COVER; SENSOR; UPPER	2
G16	0000086092	COVER; SENSOR; LEFT;	1
G17	0000086271	COVER; SENSOR; RIGHT;	1
G51	0000087858	SCREW; PHILLIP; ROUND;	4

DRAWING NO	TM527-AG22		
PART NAME	Quick Start Overlay Set		
PART NO	As Attachment ^R / _E / _D		
APPROVE	Heady	DATE	060116



Part NO	Description
1000385846	ES/MS;English;T-7xe-05-C
1000385847	MS;German;T-7xe-05-C
1000385848	MS;Spanish;T-7xe-05-C
1000385849	MS;Italian;T-7xe-05-C
1000385850	MS;French;T-7xe-05-C
1000385851	MS;Dutch;T-7xe-05-C
1000385852	MS;Polish;T-7xe-05-C
1000385853	MS;Portuguese;T-7xe-05-C
1000385854	MS;Japan;T-7xe-05-C

DRAWING NO	TM527K-AW32		
PART NAME	Gymkit;TM527K		
PART NO	1000421640	REV	C
APPROVE	Allen	DATE	062018

