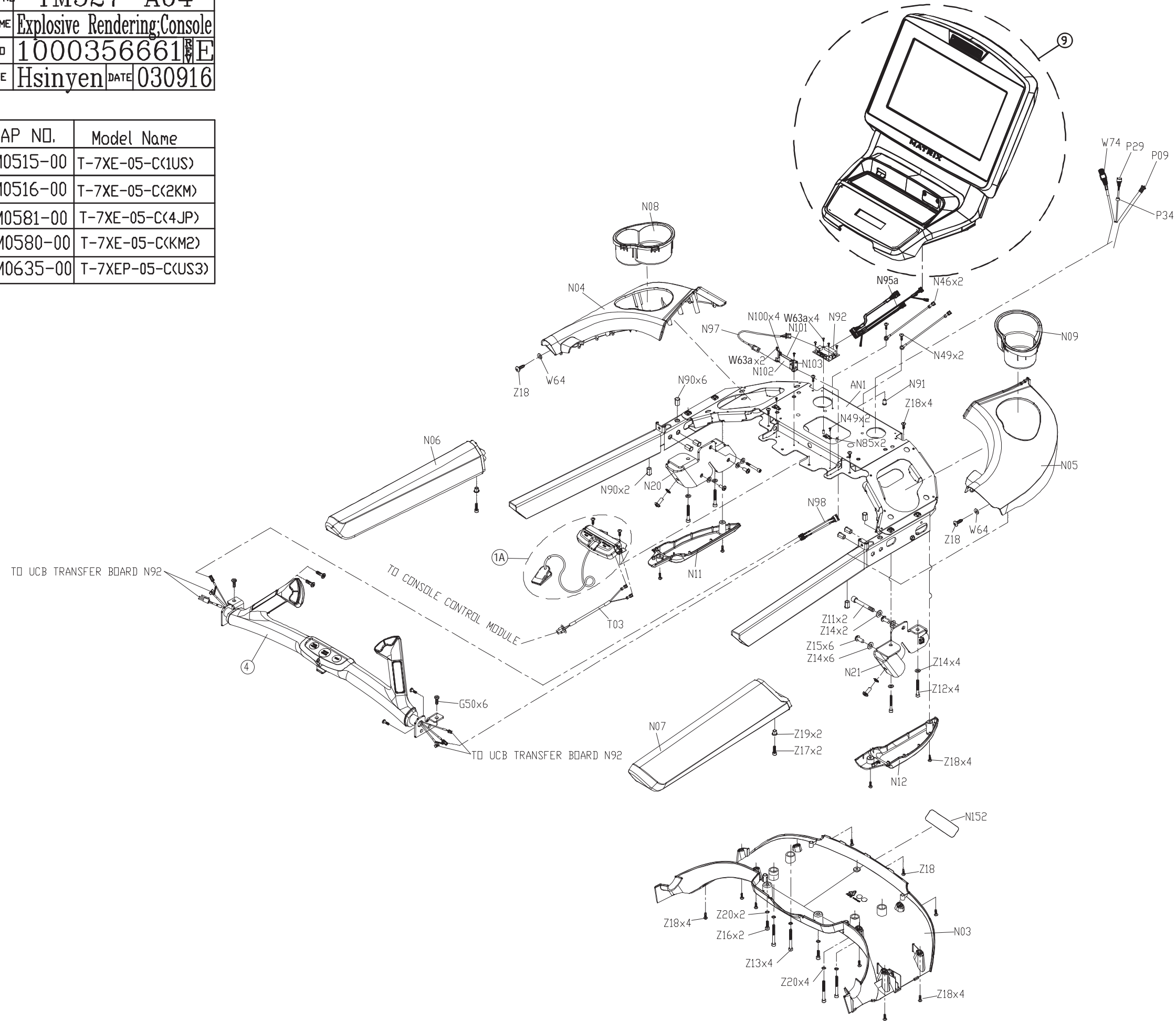


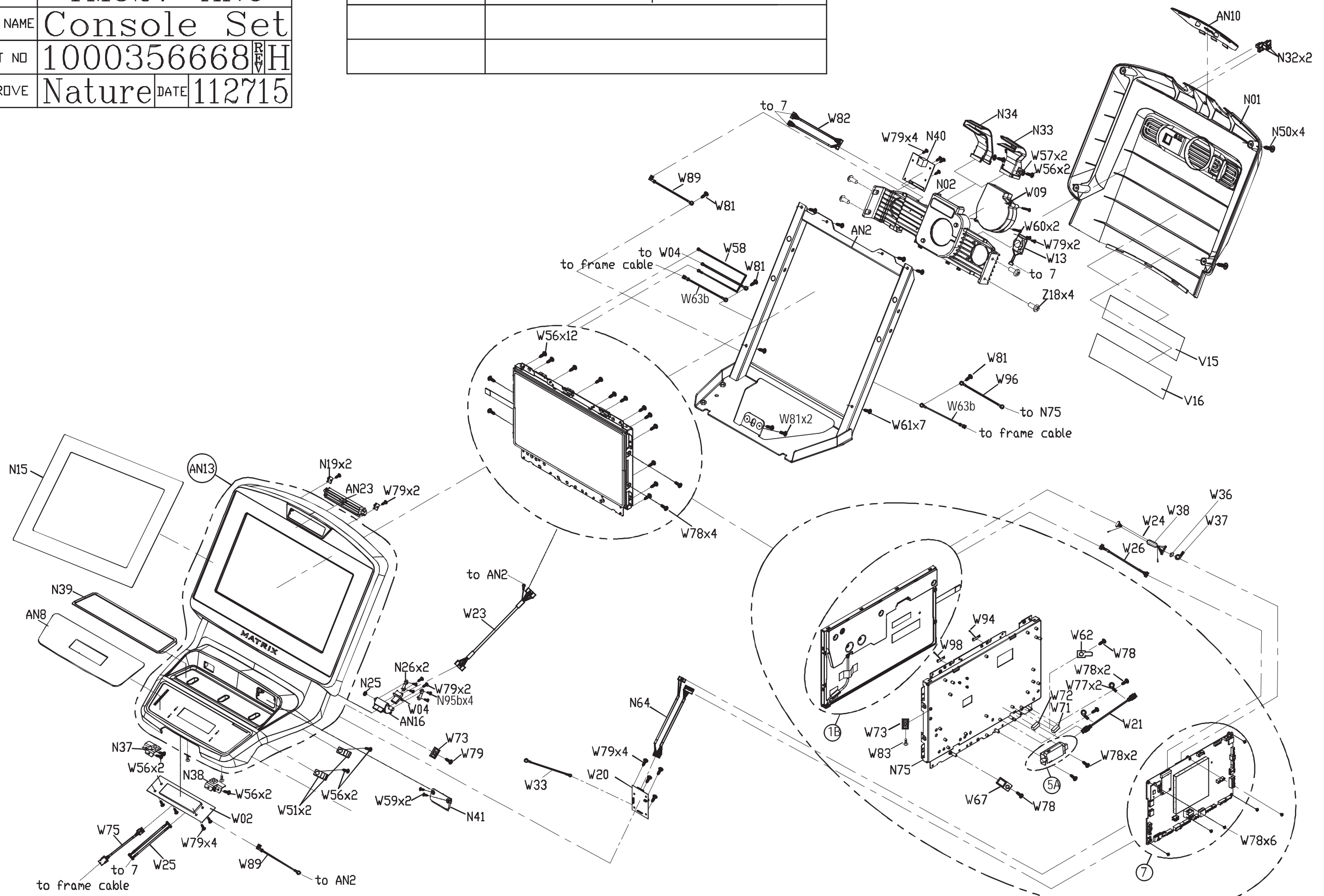
DRAWING NO	TM527-A04
PART NAME	Explosive Rendering Console
PART NO	1000356661 E
APPROVE	Hsinyen DATE 030916

SAP NO.	Model Name
MTM0515-00	T-7XE-05-C(1US)
MTM0516-00	T-7XE-05-C(2KM)
MTM0581-00	T-7XE-05-C(4JP)
MTM0580-00	T-7XE-05-C(KM2)
MTM0635-00	T-7XEP-05-C(US3)

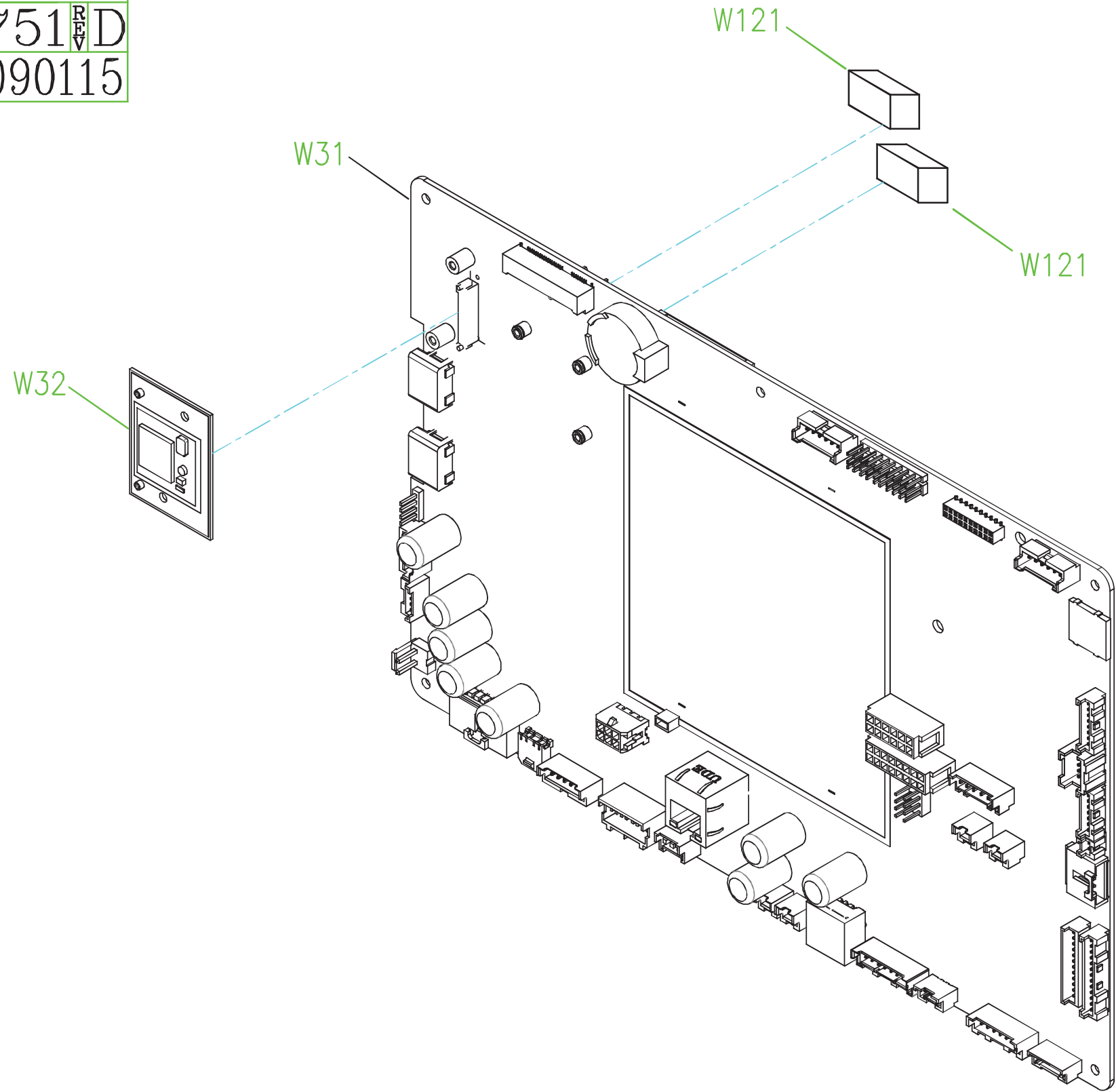


DRAWING NO	TM527-AN6	
PART NAME	Console Set	
PART NO	1000356668RH	
APPROVE	Nature	DATE 112715

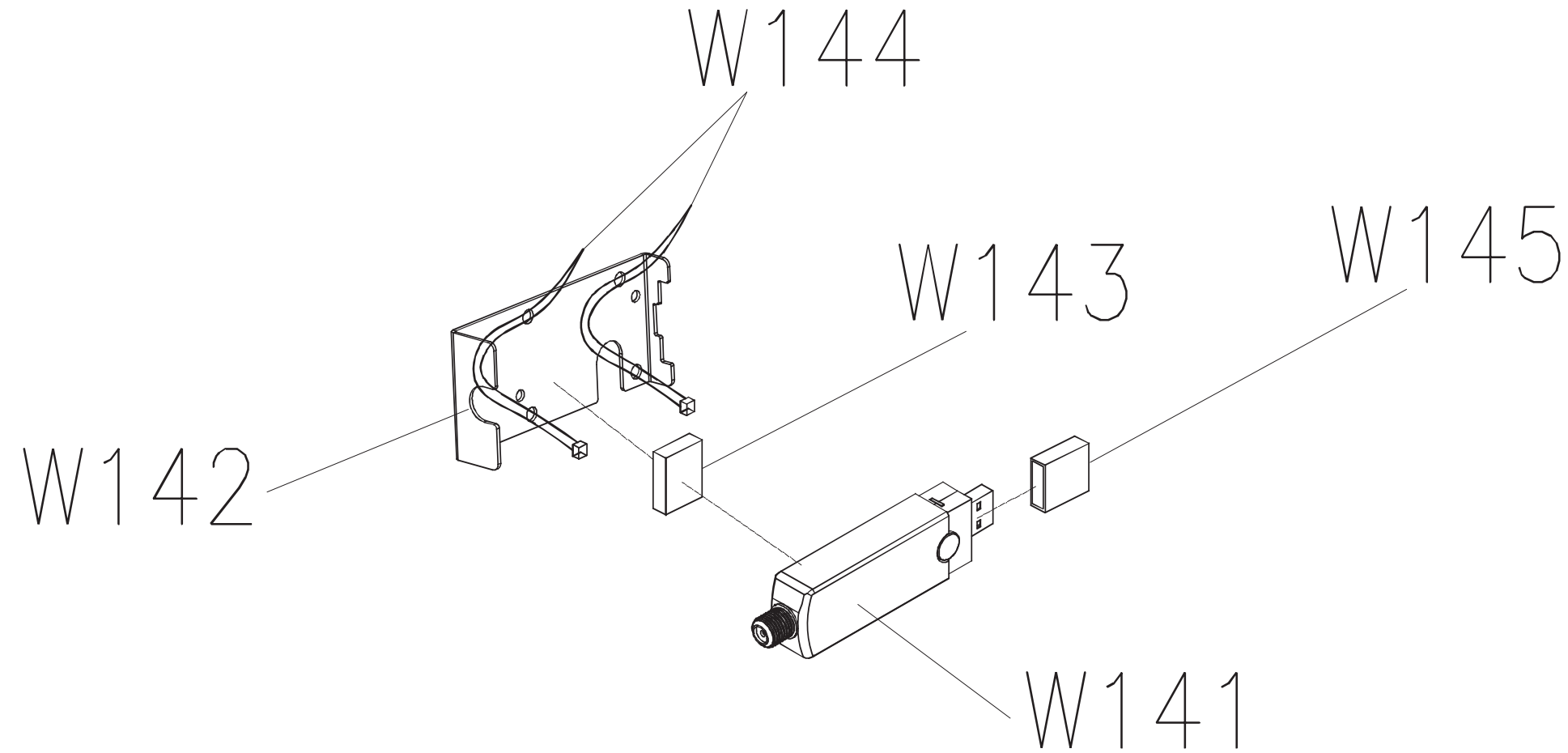
Part NO	Description



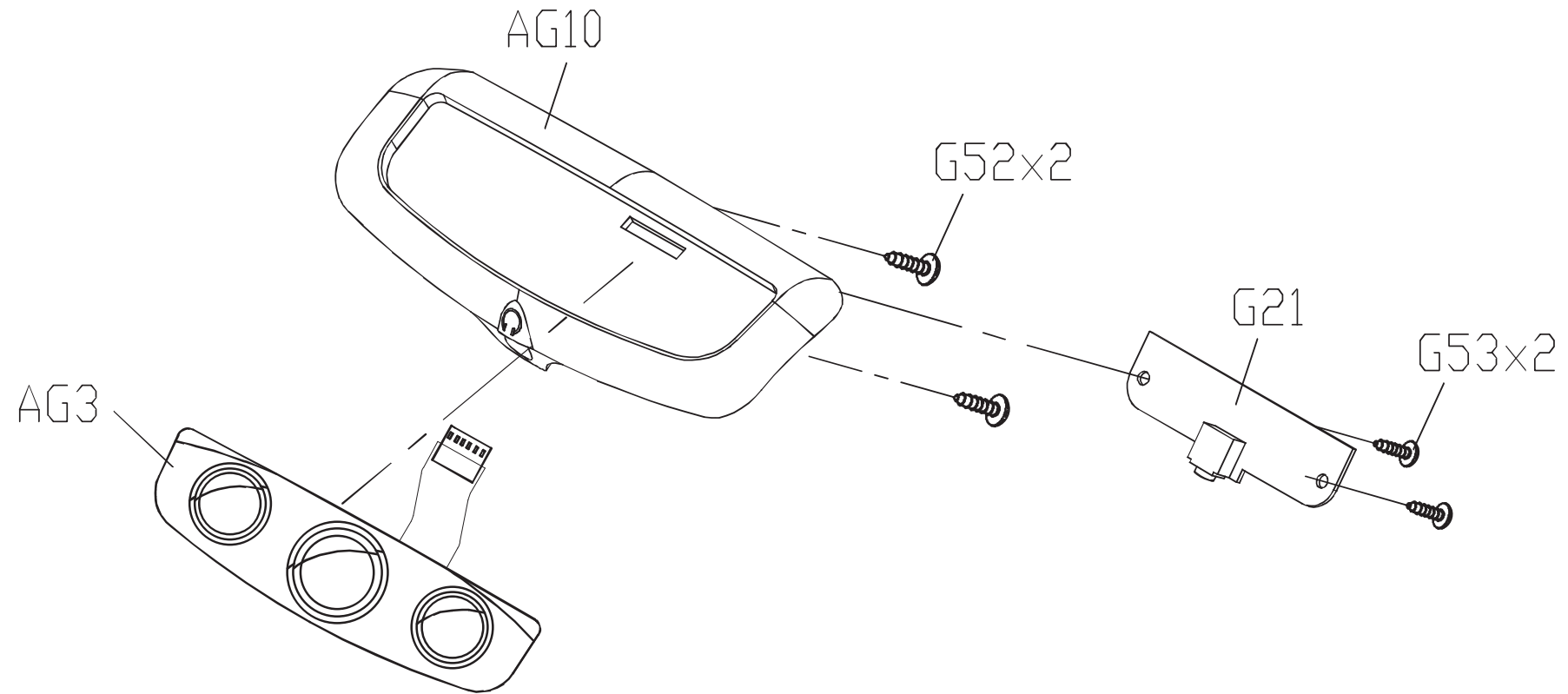
DRAWING NO	EP620-AW31		
PART NAME	Control Board Set		
PART NO	1000359751	REV	D
APPROVE	Nature	DATE	090115



DRAWING NO	EP614C-AW51		
PART NAME	TV STICK SET		
PART NO	1000356574 ^{REV} B		
APPROVE	Sunny	DATE	030416

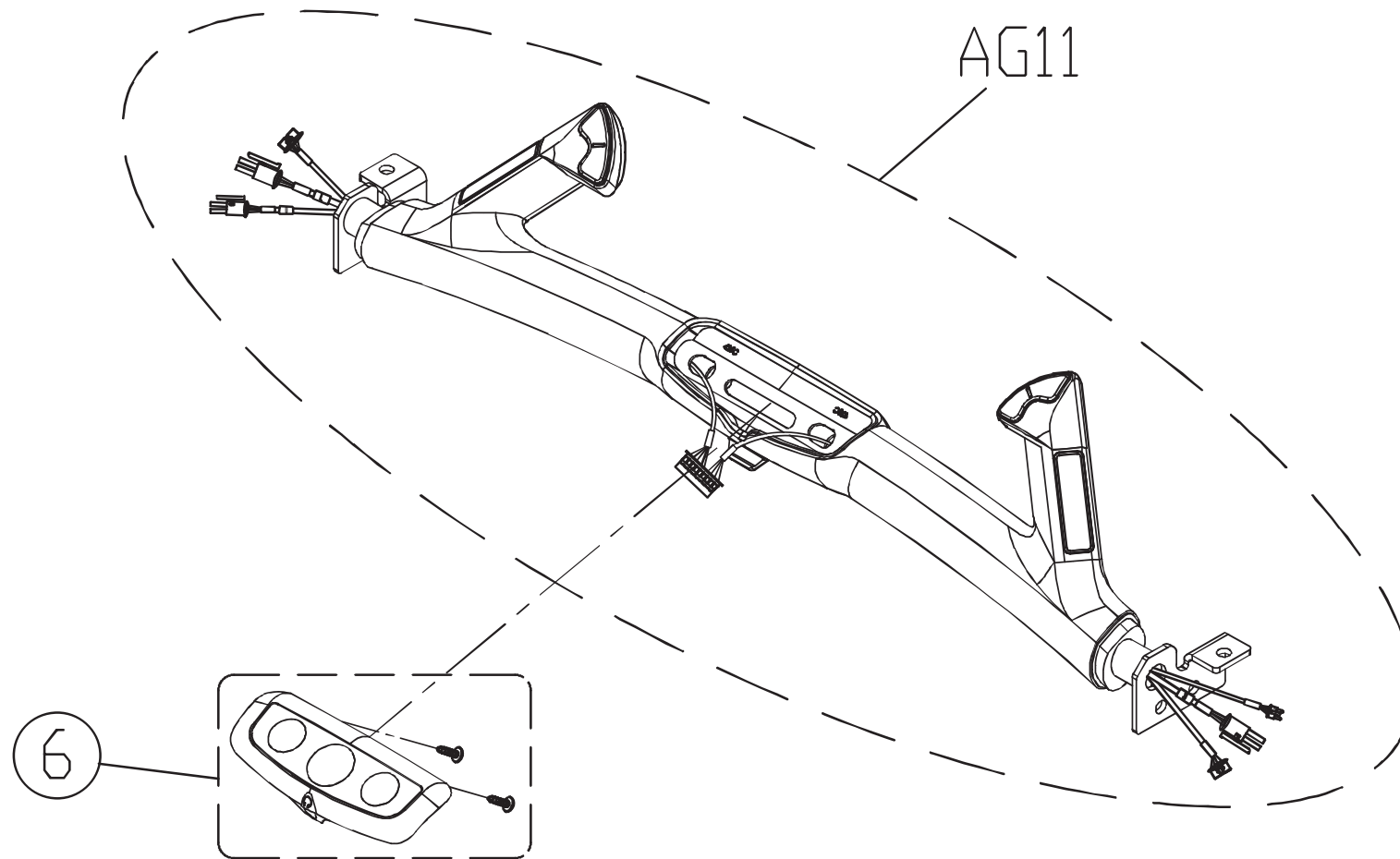


DRAWING NO	TM527-AG12		
PART NAME	Quick Start Overlay Set		
PART NO	As Attachment ^R / _E / _V / _E / _B		
APPROVE	SHUYI	DATE	052115



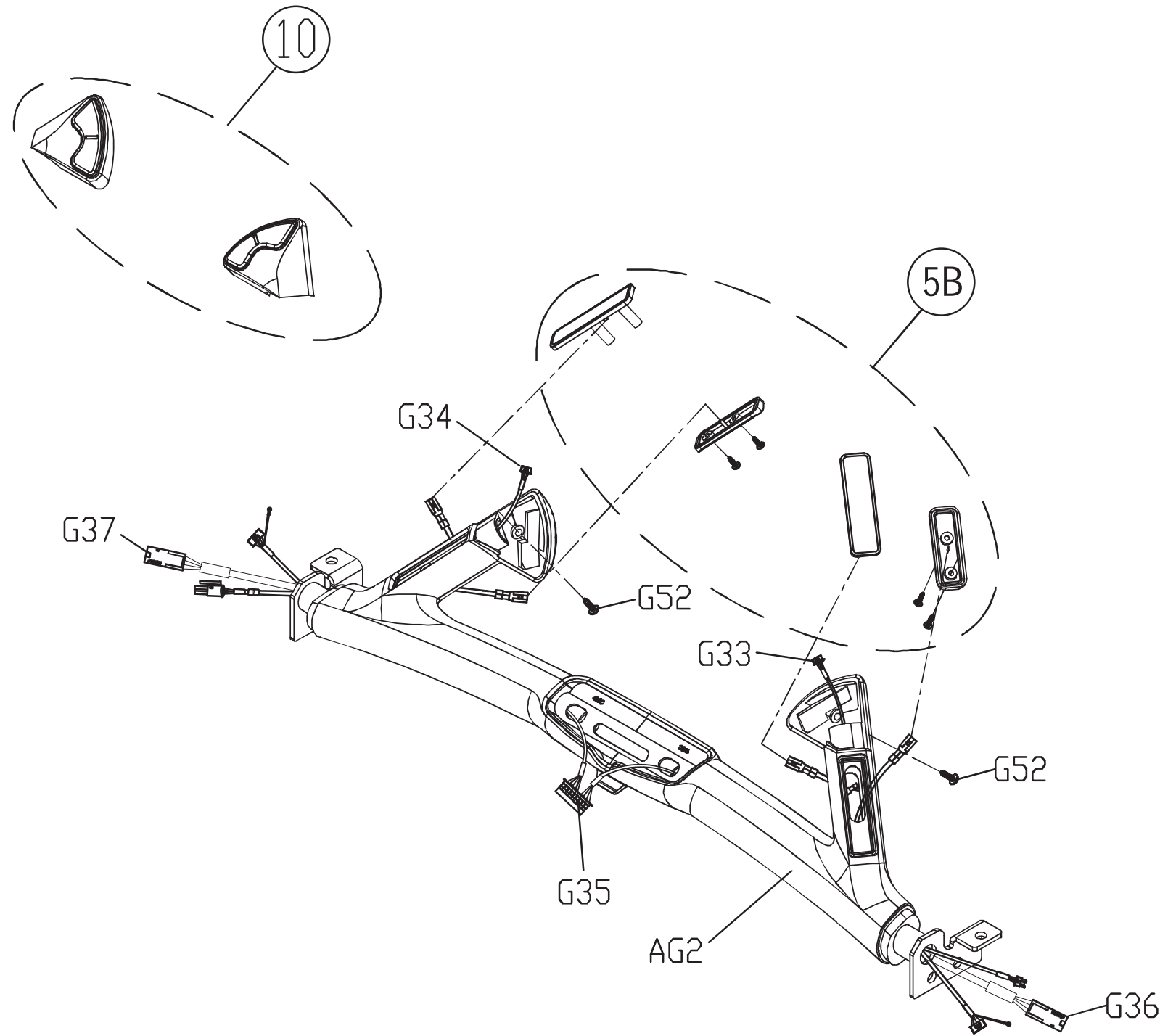
Part NO	Description
1000356218	ES/MS;English;T-7xe-05-C
1000361042	MS;German;T-7xe-05-C
1000361044	MS;Spanish;T-7xe-05-C
1000361046	MS;Italian;T-7xe-05-C
1000361049	MS;French;T-7xe-05-C
1000361051	MS;Dutch;T-7xe-05-C
1000361053	MS;Polish;T-7xe-05-C
1000361055	MS;Portuguese;T-7xe-05-C
1000356361	MS;Japan;T-7xe-05-C

DRAWING NO	TM527-AG21		
PART NAME	Handlebar Set		
PART NO	As Attachment ^{REV} B		
APPROVE	SHUYI	DATE	052115

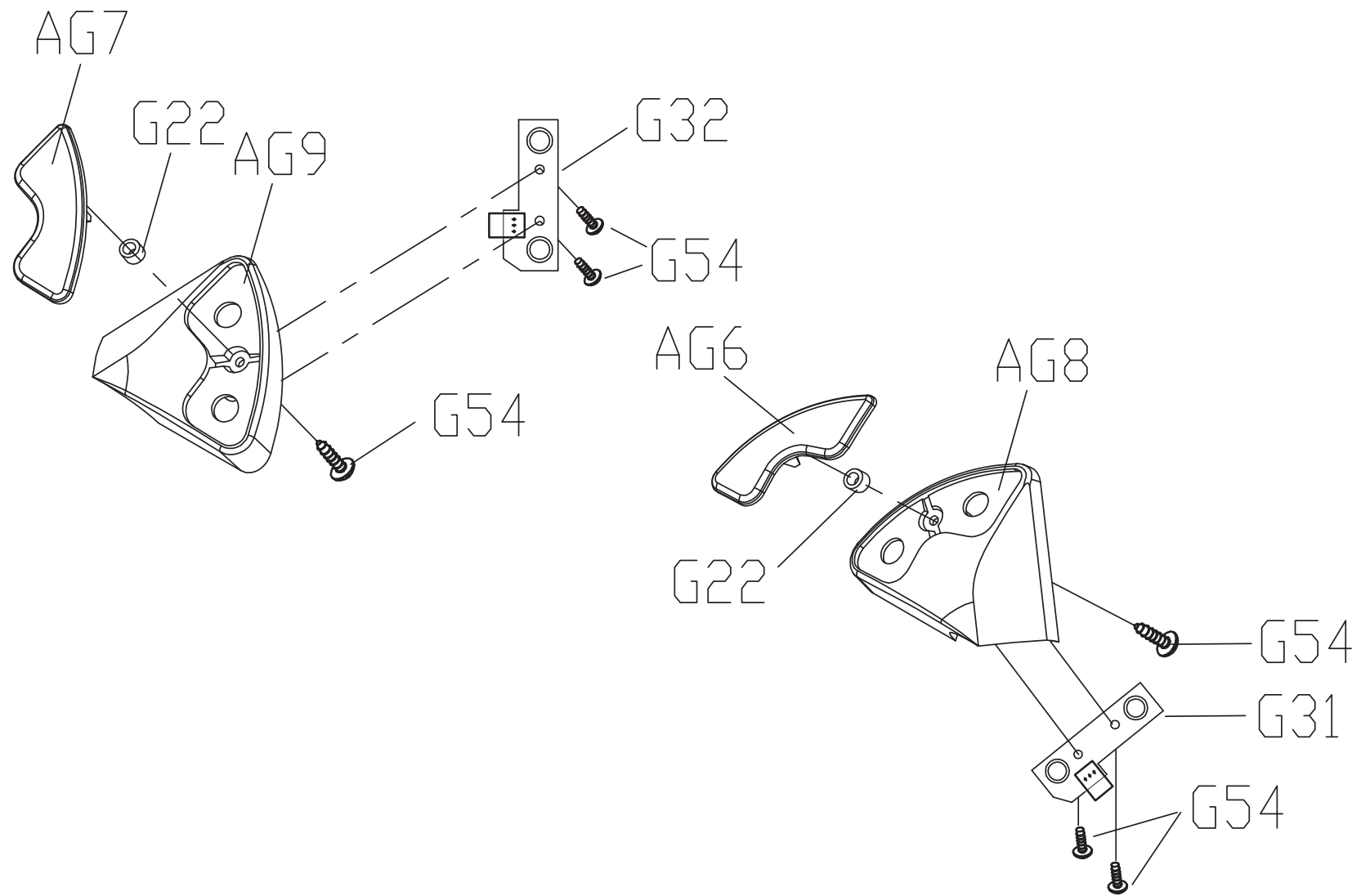


Part NO	Description
1000356217	Handlebar Set;English
1000361041	Handlebar Set;German
1000361043	Handlebar Set;Spanish
1000361045	Handlebar Set;Italian
1000361047	Handlebar Set;French
1000361050	Handlebar Set;Dutch
1000361052	Handlebar Set;Polish
1000361054	Handlebar Set;Portuguese
1000356360	Handlebar Set;Japan

DRAWING NO	TM527-AG11		
PART NAME	Handlebar Set		
PART NO	1000356383	REV	C
APPROVE	Hsinyen	DATE	030915



DRAWING NO	TM502-AG12		
PART NAME	Quick Key Set		
PART NO	0000089687 ^R ₁ B		
APPROVE	SHUYI	DATE	101211

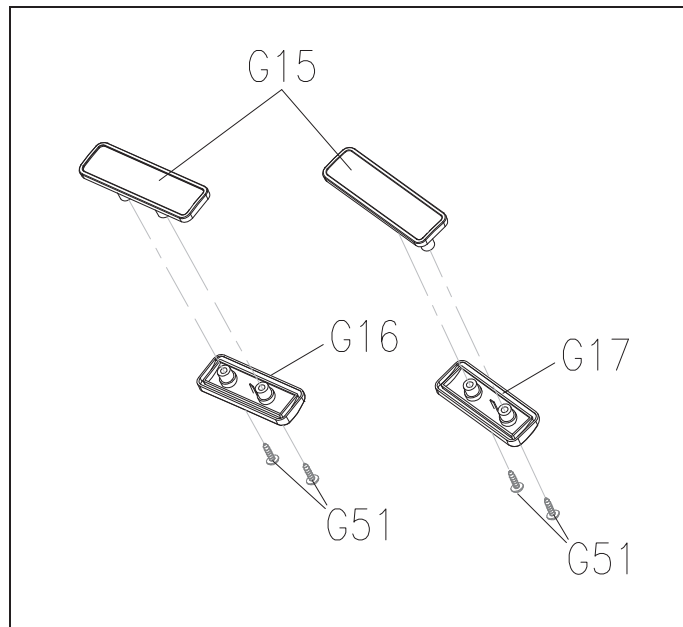




T7x-01-C

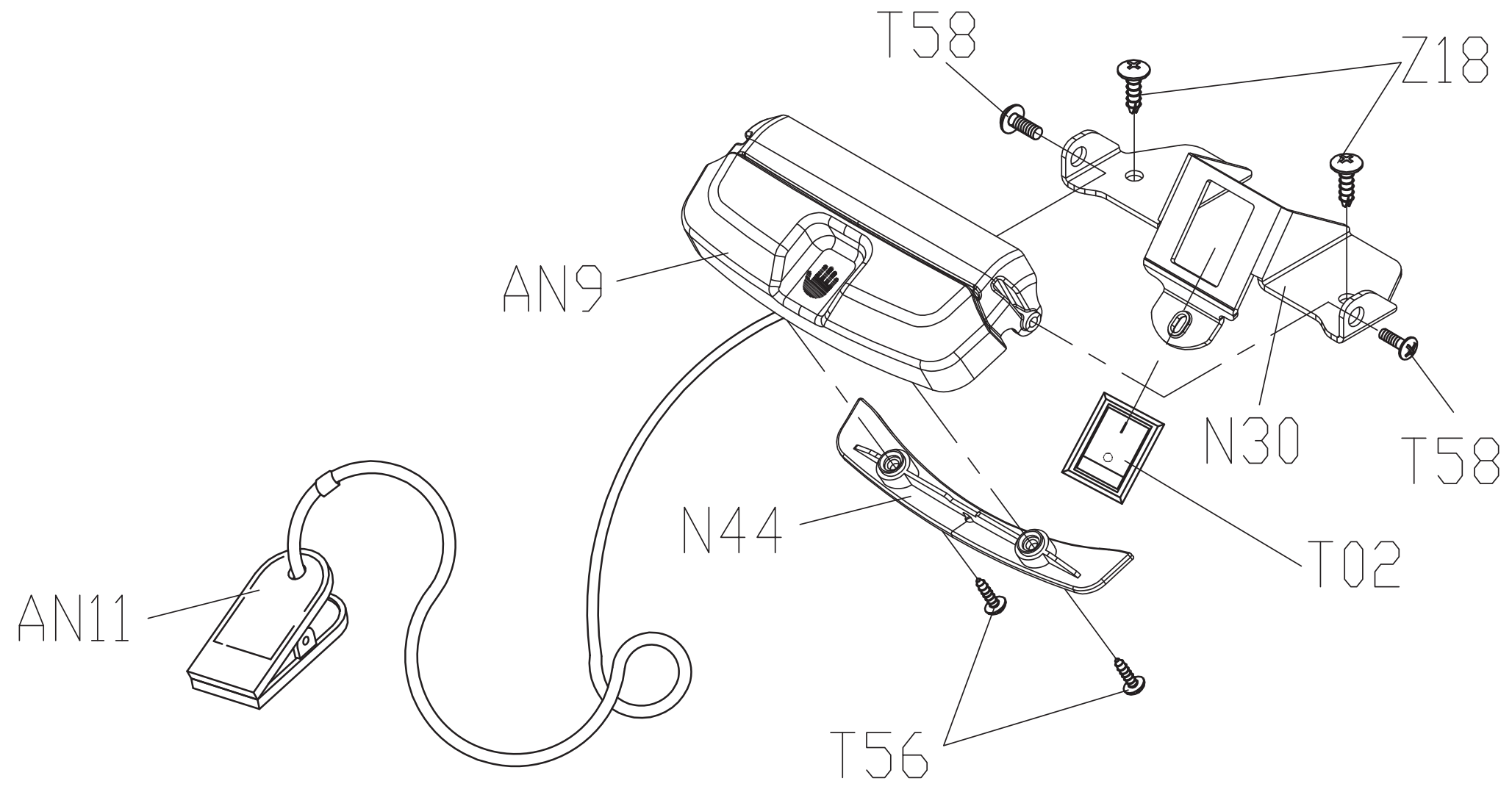
0000091816

HR GRIP COVER SET



Item No.	SAP Part NO	Description	QTY
G15	0000086068	COVER; SENSOR; UPPER	2
G16	0000086092	COVER; SENSOR; LEFT;	1
G17	0000086271	COVER; SENSOR; RIGHT;	1
G51	0000087858	SCREW; PHILLIP; ROUND;	4

DRAWING NO	TM501-AT6		
PART NAME	SAFETY KEY SET		
PART NO	1000233602 ^R / _B		
APPROVE	S.T.C	DATE	083112



DRAWING NO	TM501-AT13		
PART NAME	Safety Switch Set		
PART NO	1000352475 ^R _B		
APPROVE	JARVIS	DATE	100314

Note: Length of assembly(Chip/Key ring)860~870mm

