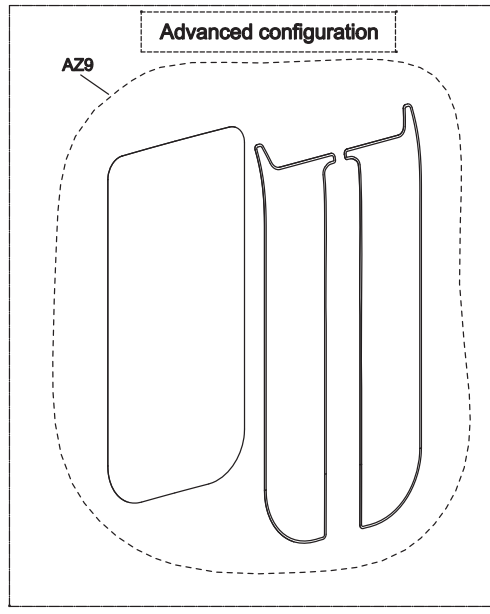
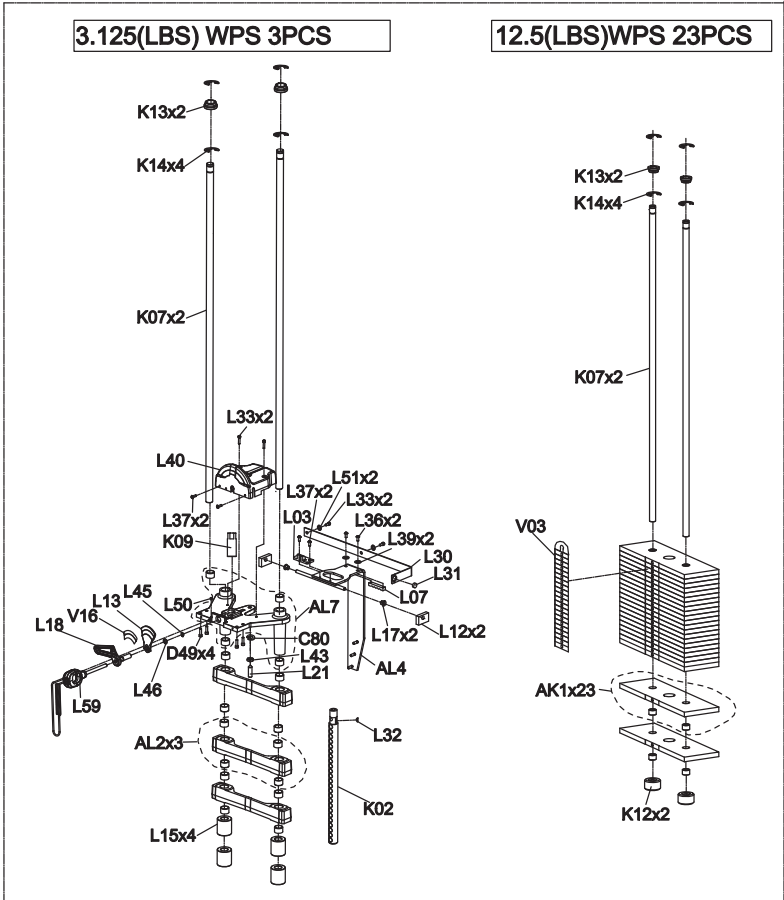
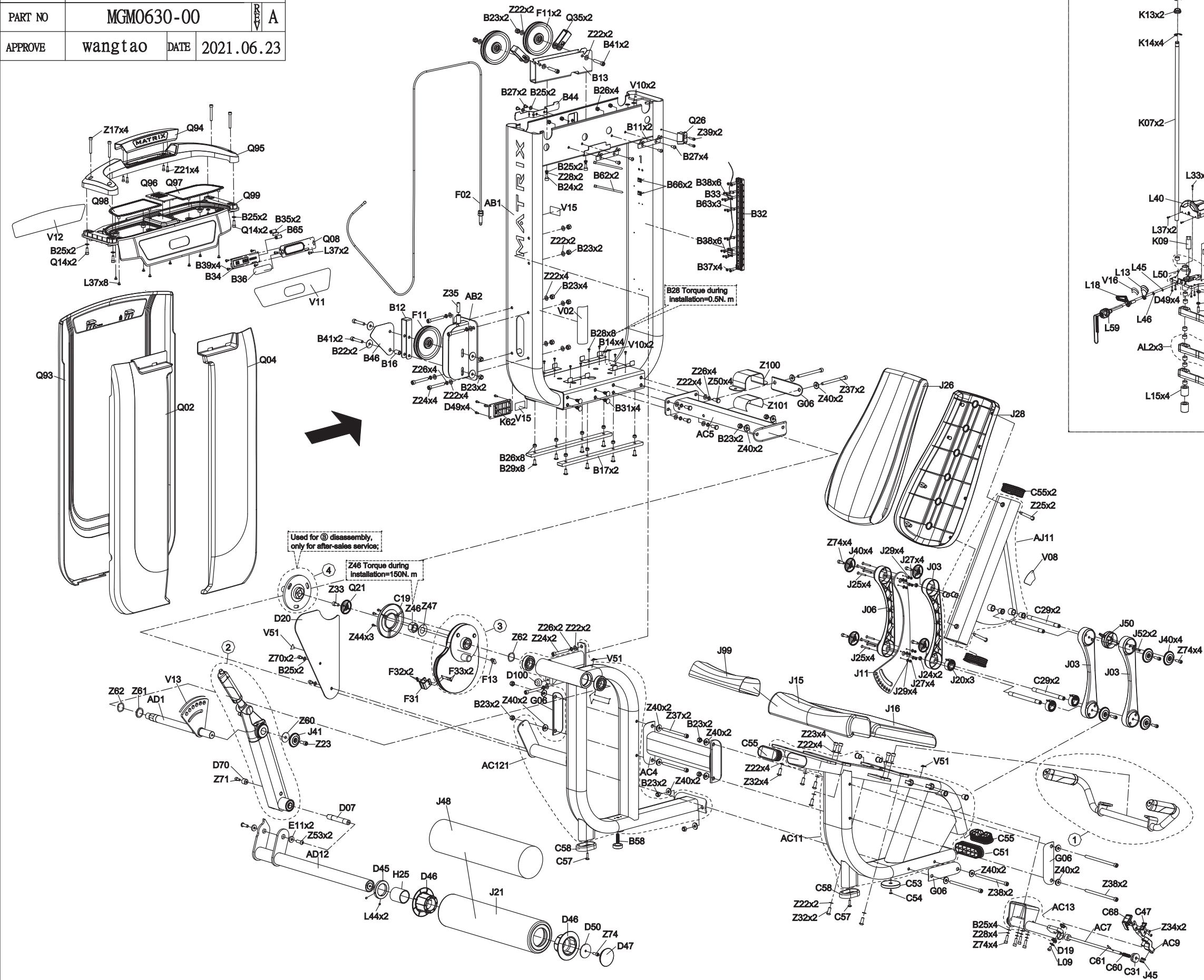

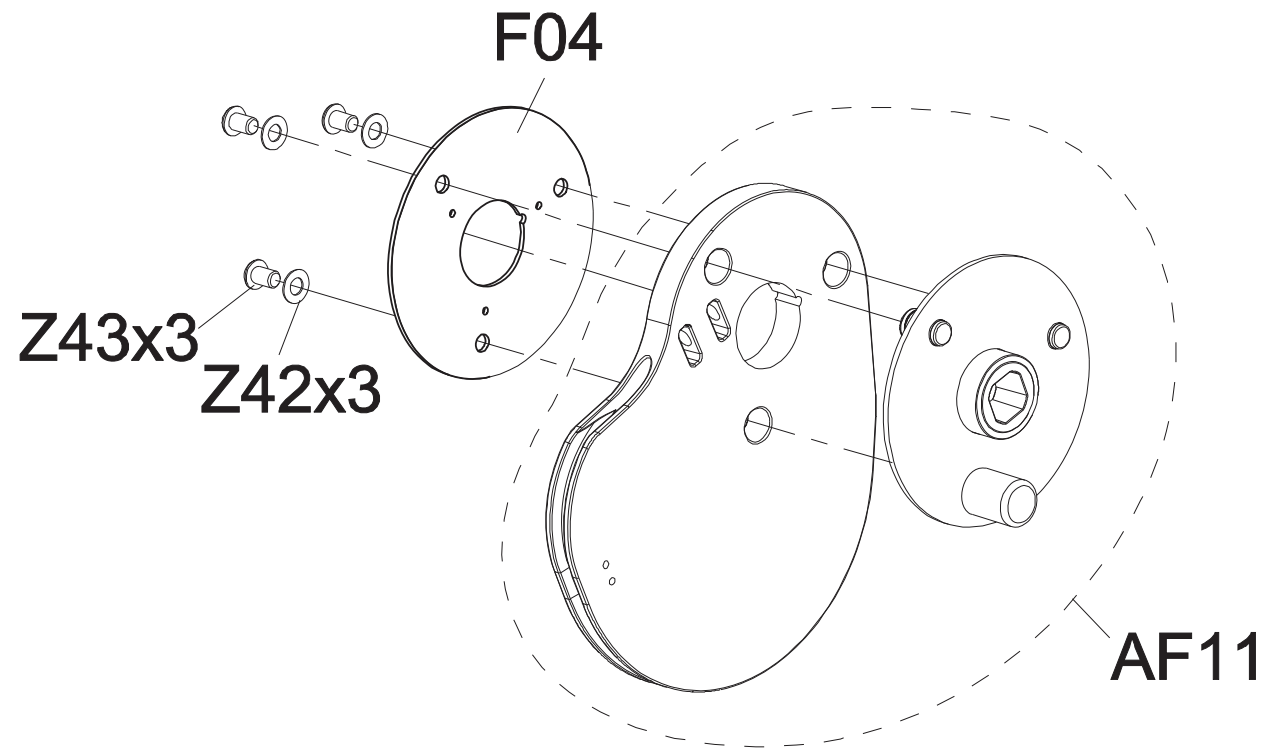


DRAWING NO	PGM113-KM		
PART NAME	Explosive Diagram		
PART NO	MGM0630-00	REV	A
APPROVE	wangtao	DATE	2021.06.23



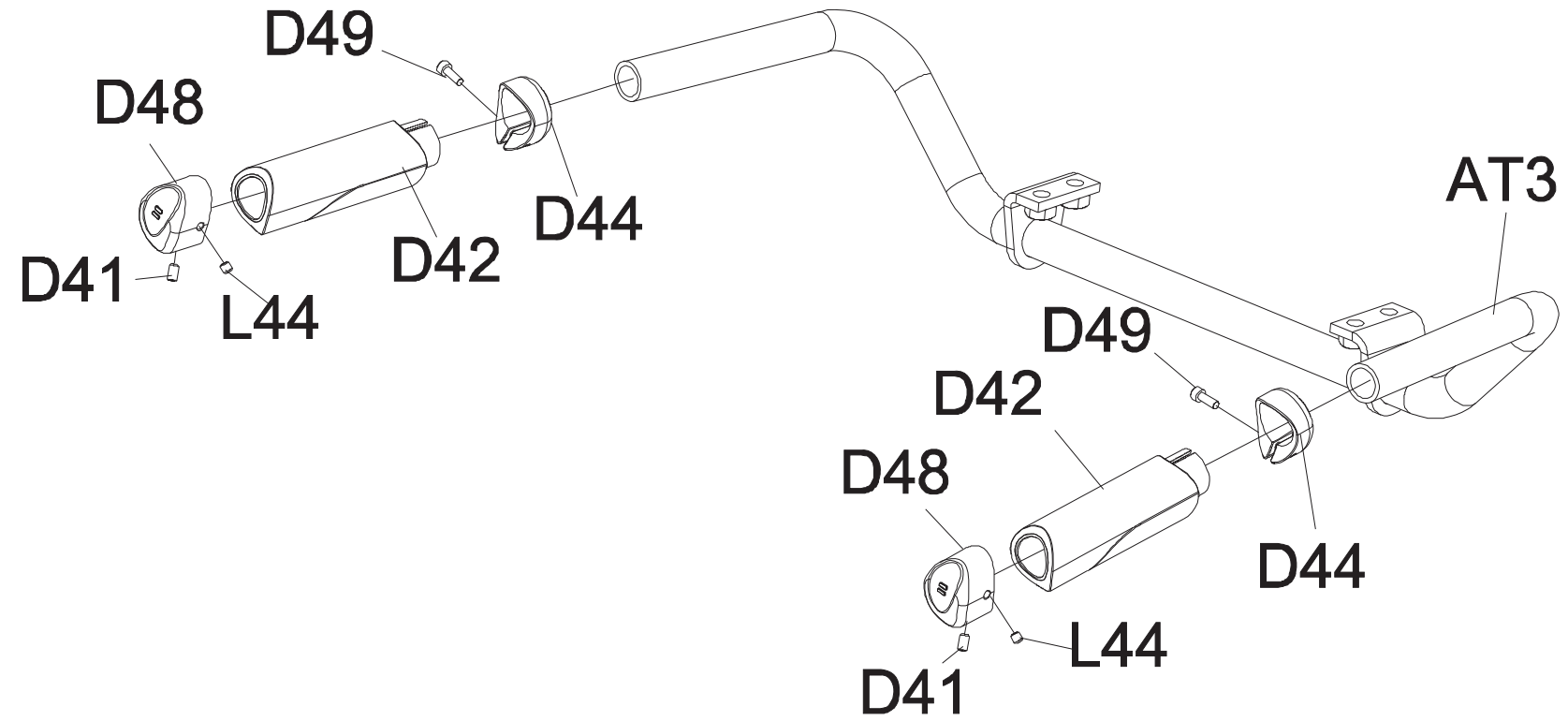
DRAWING NO	GM113-SF03		
PART NAME	Grip Set : Assembling		
PART NO	See Chart		A
APPROVE	ALEX	DATE	10.18.2017


Part NO.	Color
1000413479	Iced Sliver
1000413498	Platinum
1000413500	Polarized Titanium
1000413502	Lace White
1000413524	Pearl White
1000413531	Mat Black
1000413559	Black Glossy



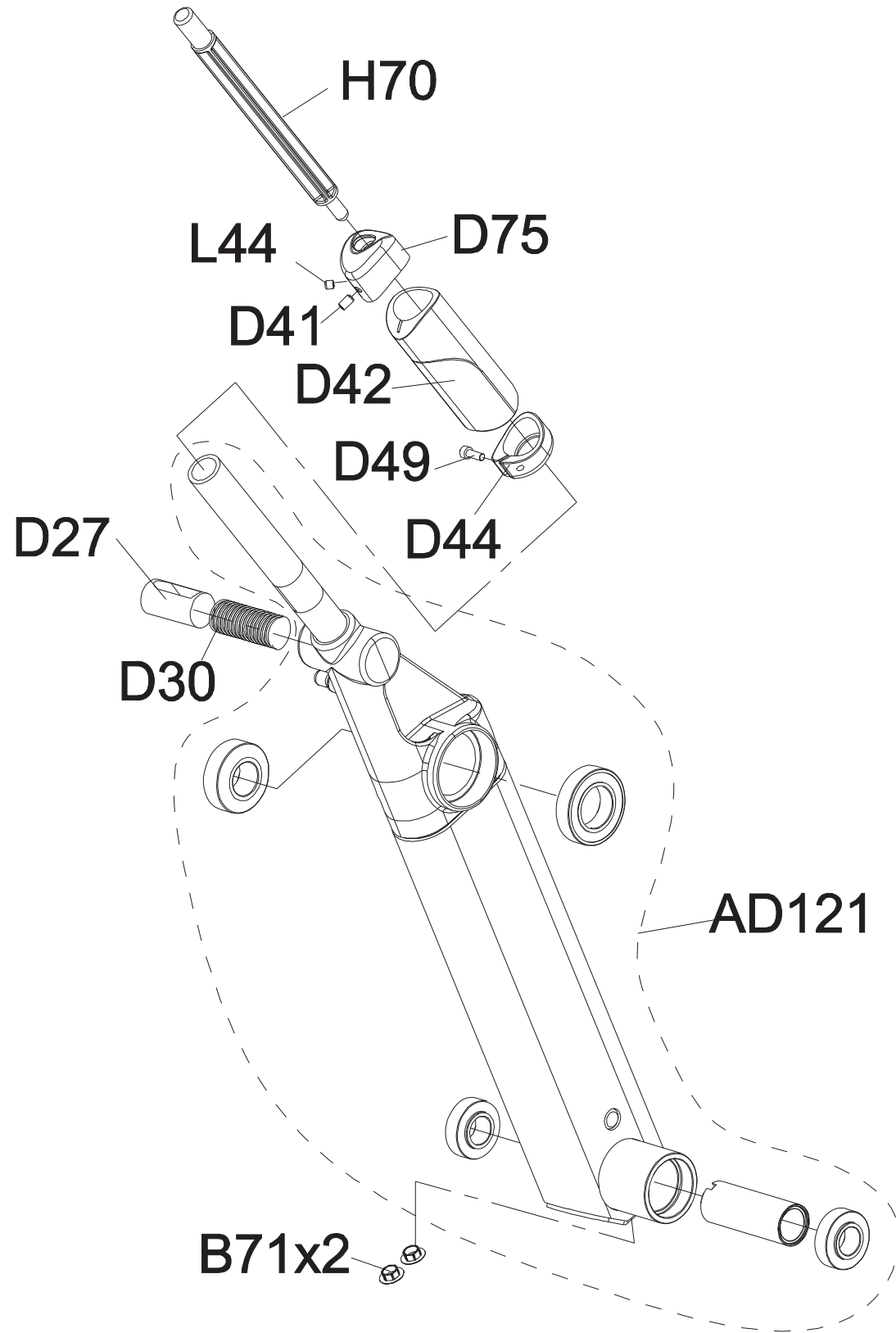
DRAWING NO	GM113-SF01		
PART NAME	Grip Set ; Assembling		
PART NO	See Chart	REV	A
APPROVE	ALEX	DATE	09.01.2017

Part NO.	Color
1000413480	Iced Sliver
1000413612	Platinum
1000413616	Polarized Titanium
1000413620	Lace White
1000413624	Pearl White
1000413628	Mat Black
1000413633	Black Glossy

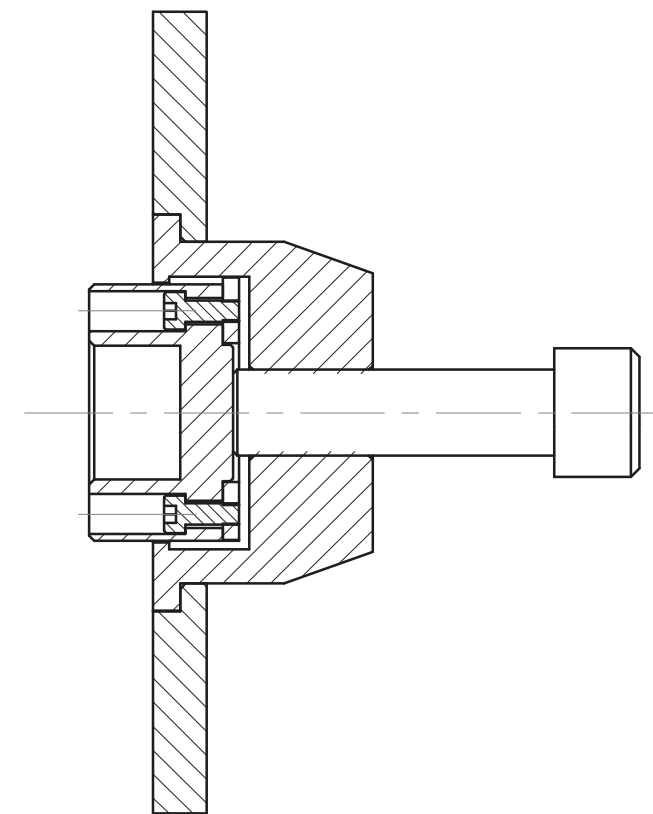
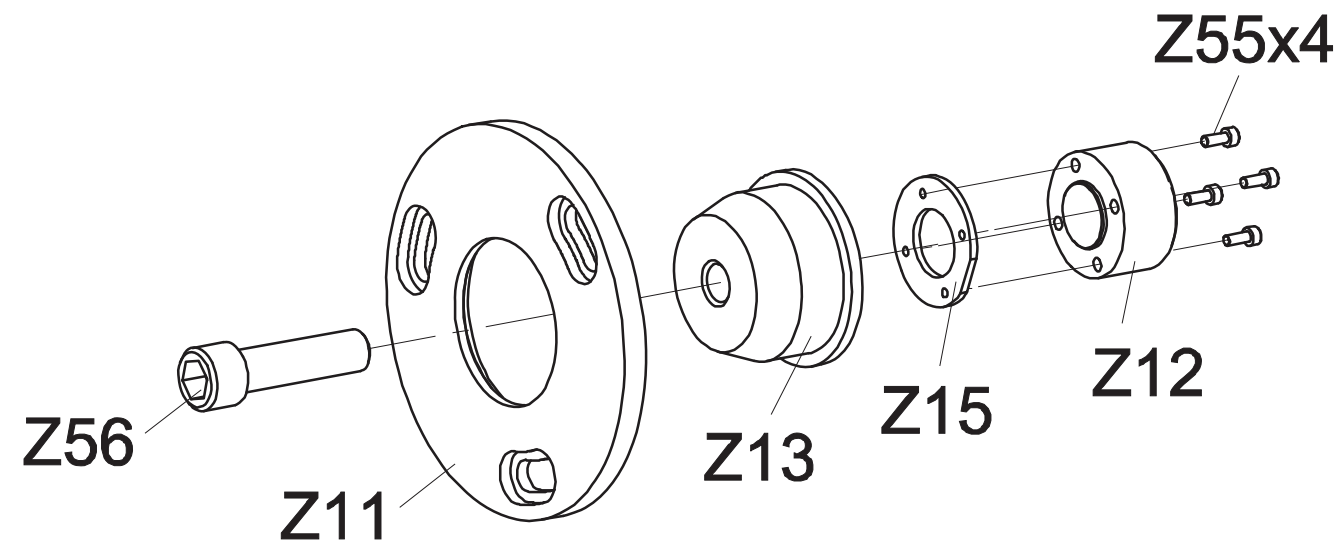


DRAWING NO	GM113-SF02		
PART NAME	Grip Set ; Assembling		
PART NO	See Chart		A
APPROVE	ALEX	DATE	10.18.2017

Part NO.	Color
1000413658	Iced Sliver
1000413661	Platinum
1000413665	Polarized Titanium
1000413668	Lace White
1000413675	Pearl White
1000413676	Mat Black
1000413677	Black Glossy



DRAWING NO	GM113-SF04		
PART NAME	Grip Set ; Assembling		
PART NO	1000420787	REV	A
APPROVE	ALEX	DATE	01.26.2018



**Notes:**

Z11 and Z13, tight fit, must be equipped with hydraulic press.