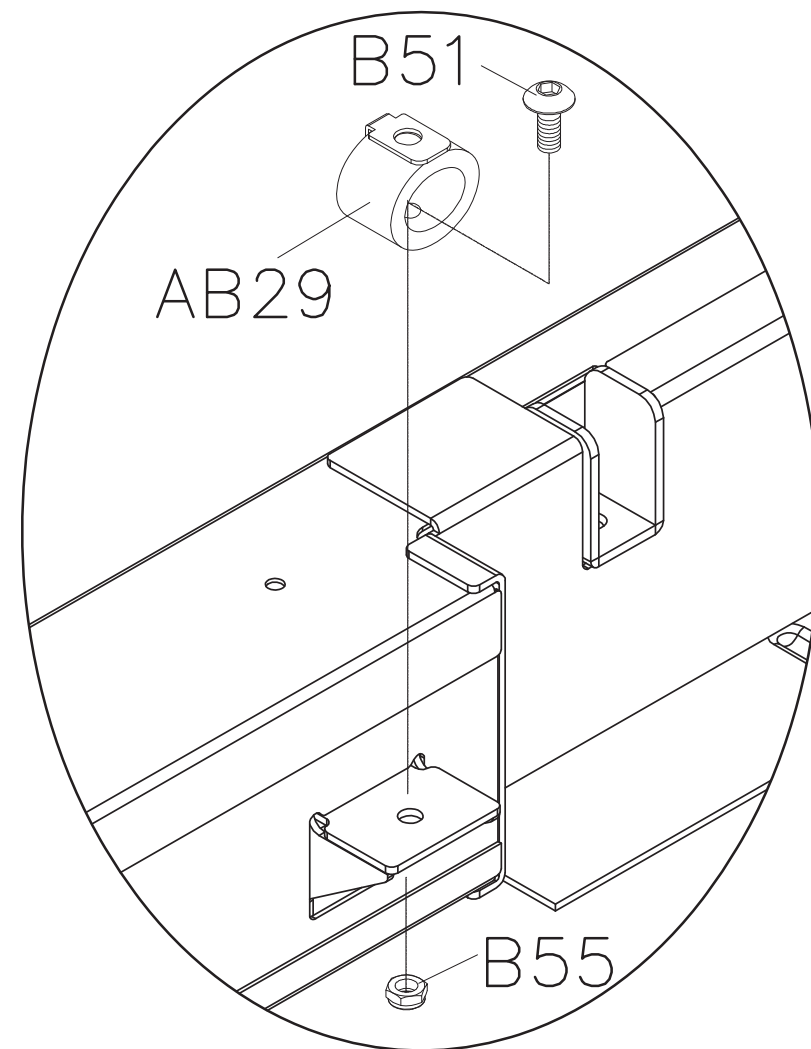
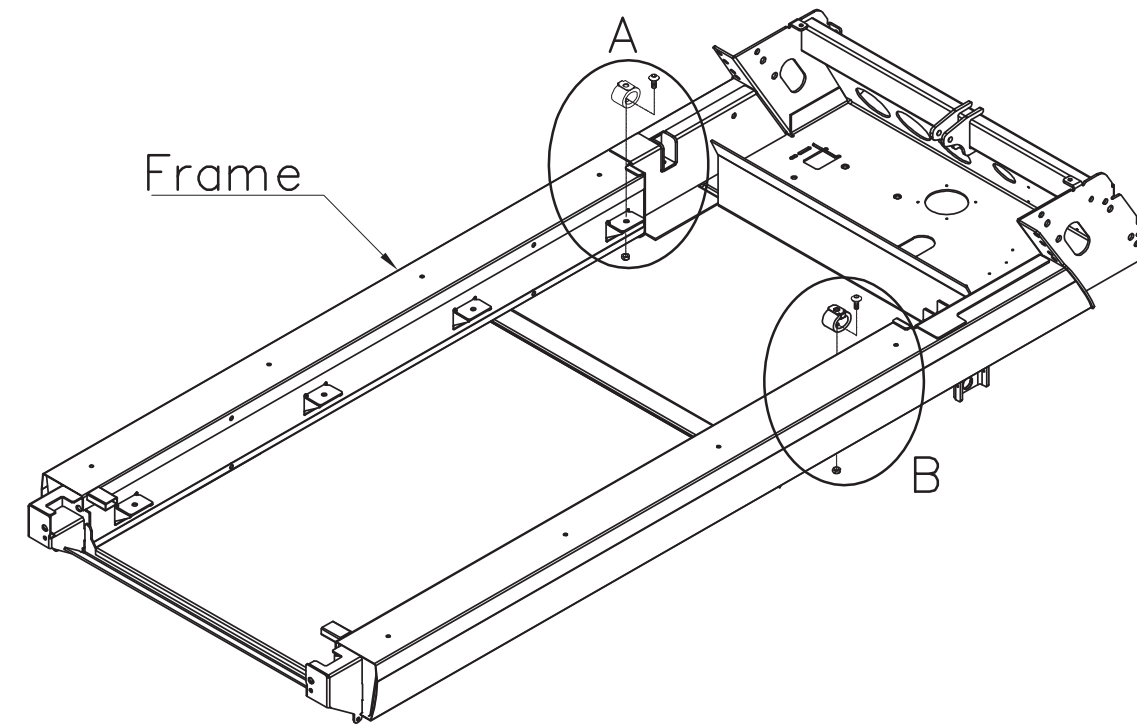
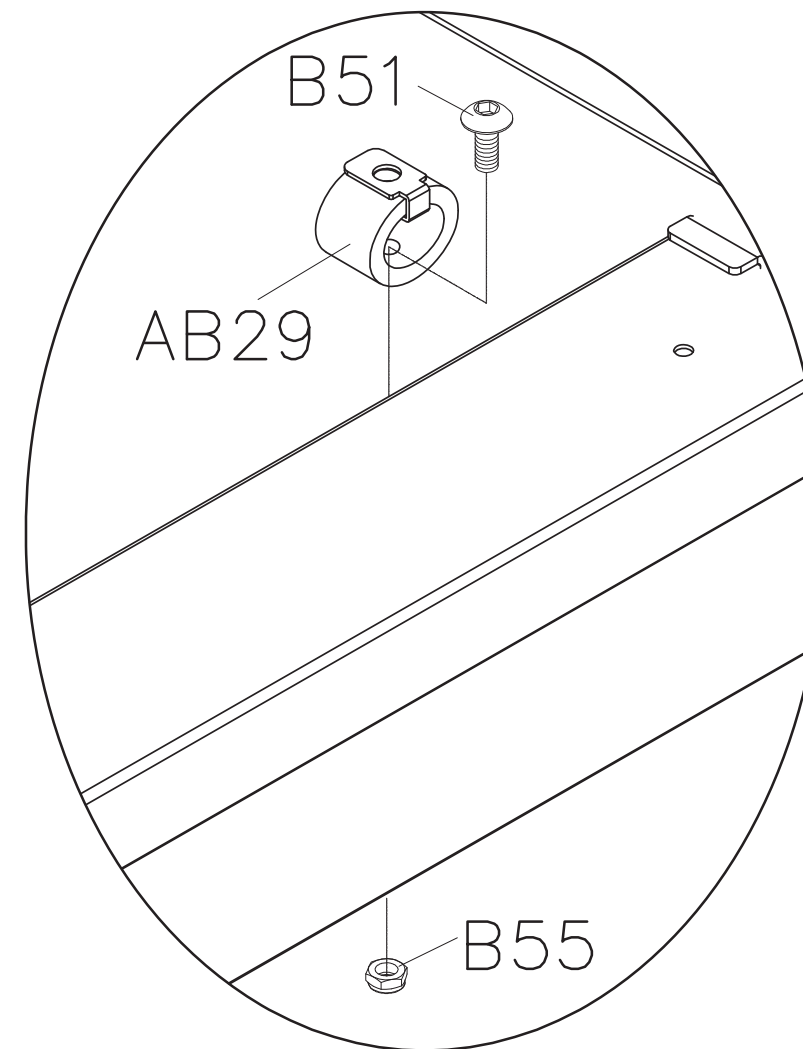


DRAWING NO	TM501-AB21		
PART NAME	Elastomer Set;Running Deck;Front		
PART NO	As Attachment		
APPROVE	S.T.C	DATE	060512

Part No.	Description
0000089487	Nai Ri
1000233263	Miner



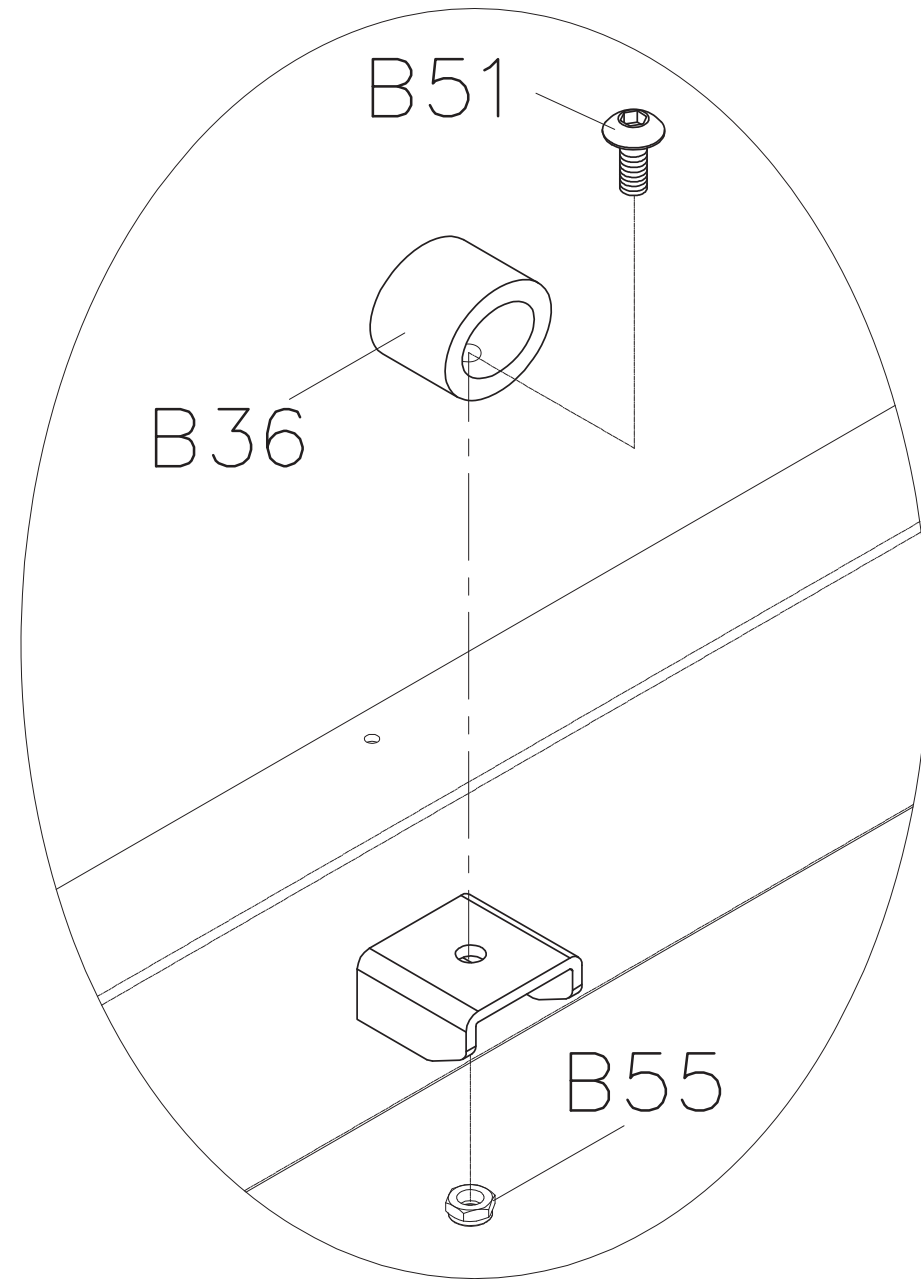
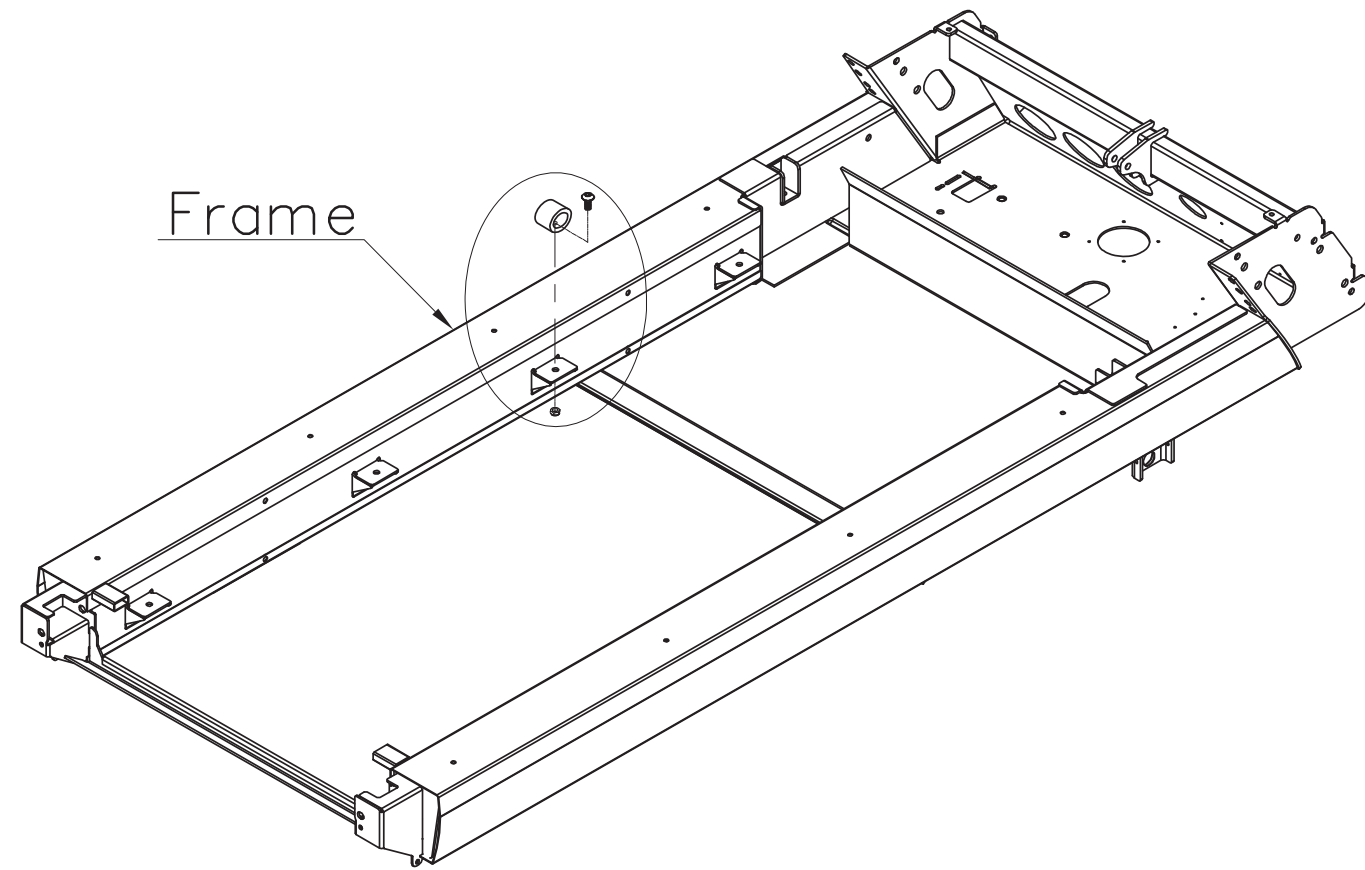
A 詳圖(1:5)



B 詳圖(1:5)

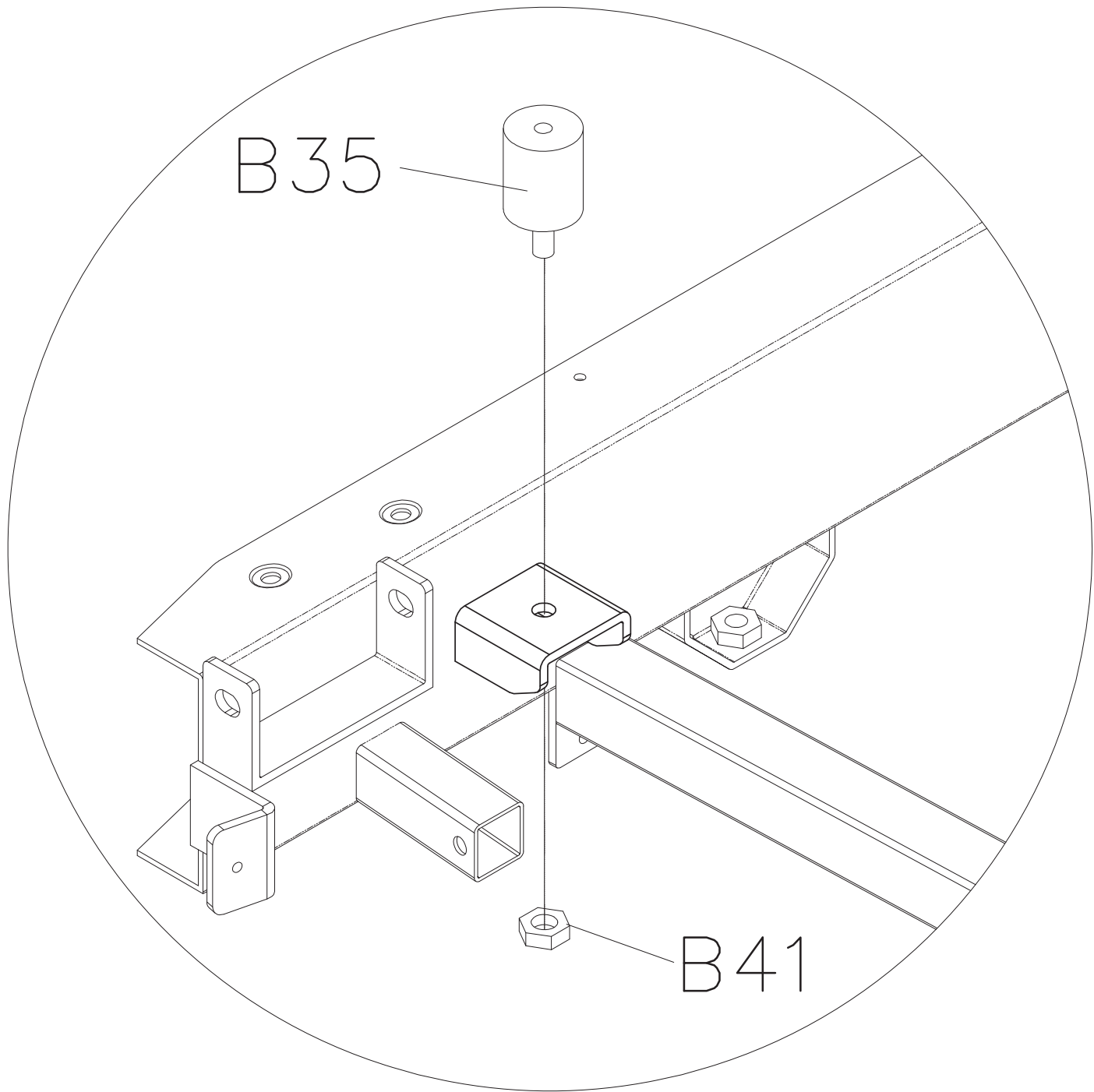
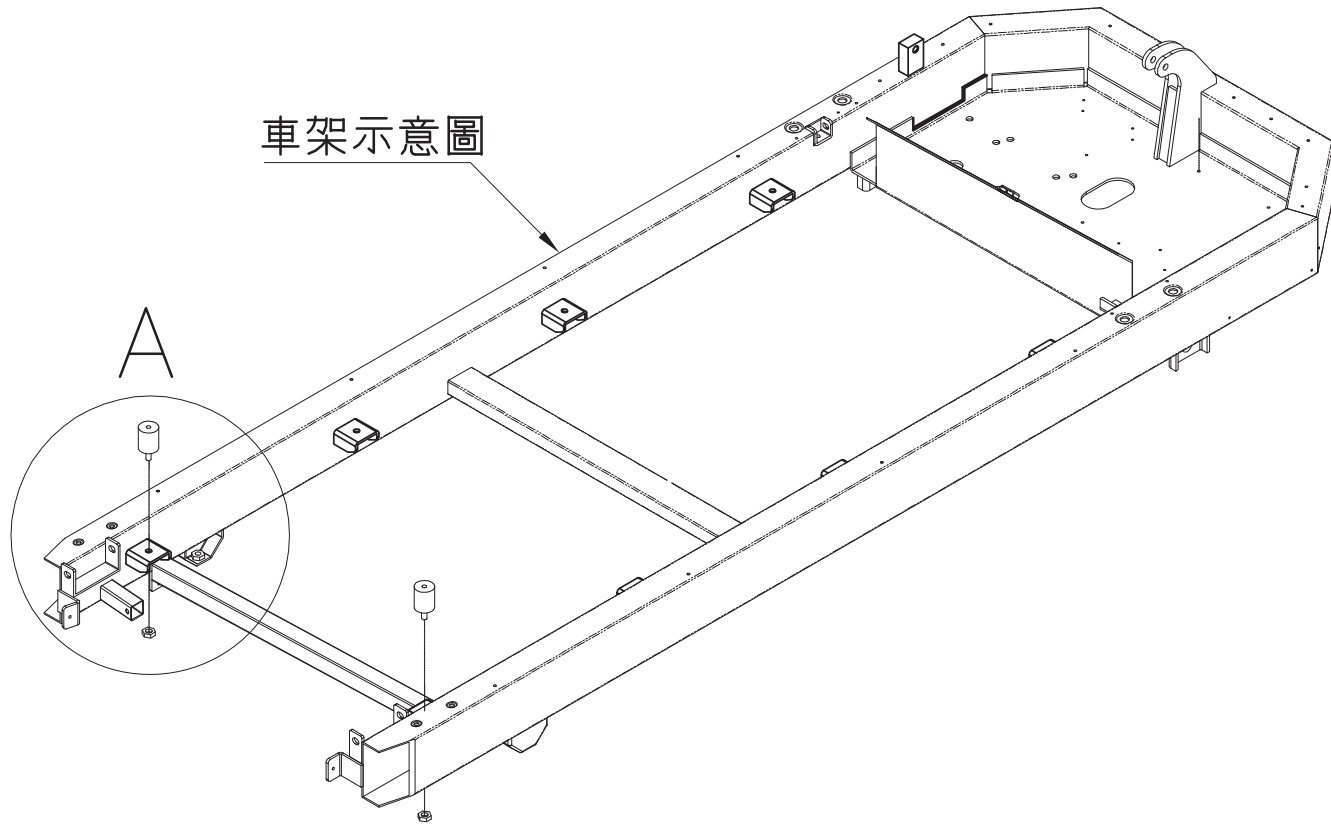
DRAWING NO	TM501-AB22		
PART NAME	Elastomer Set;Running Deck;Middle		
PART NO	As Attachment ^R / _V B		
APPROVE	S.T.C	DATE	060512

Part No.	Description
0000089488	Nai Ri
1000233264	Miner



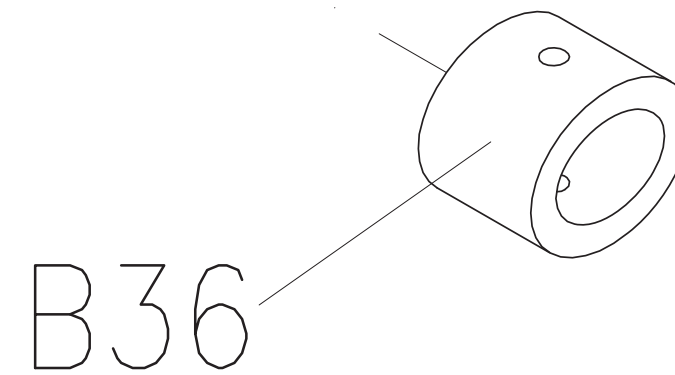
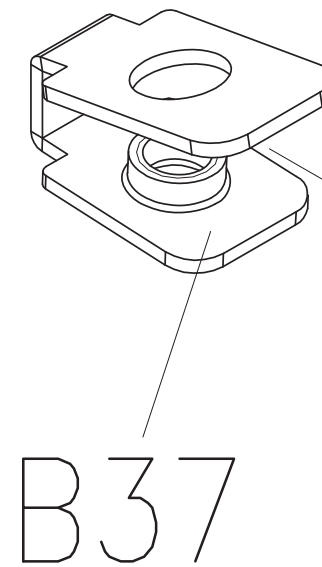
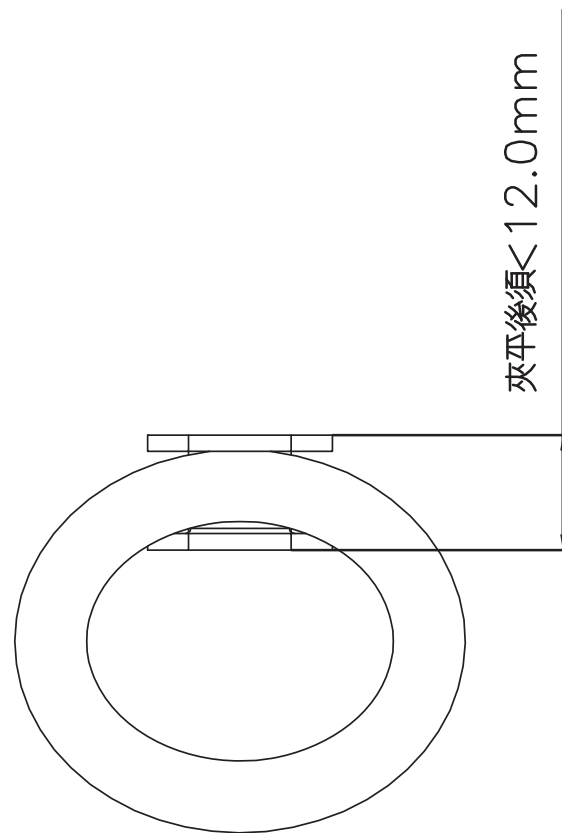
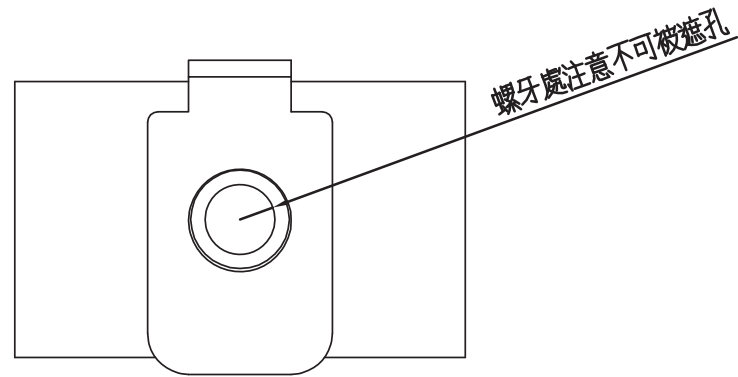
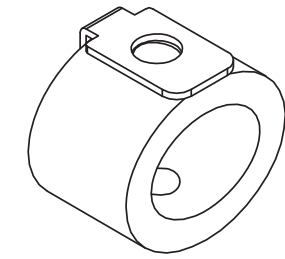
A(1:5)

DRAWING NO 圖 號	TM507-AB22
PART NAME(CH) 零件名稱(中文)	緩衝墊組;跑板;後
PART NAME(EN) 零件名稱(英文)	Elastomer Set;Running Deck;Back
SAP PART NO SAP料號	0000091092 B



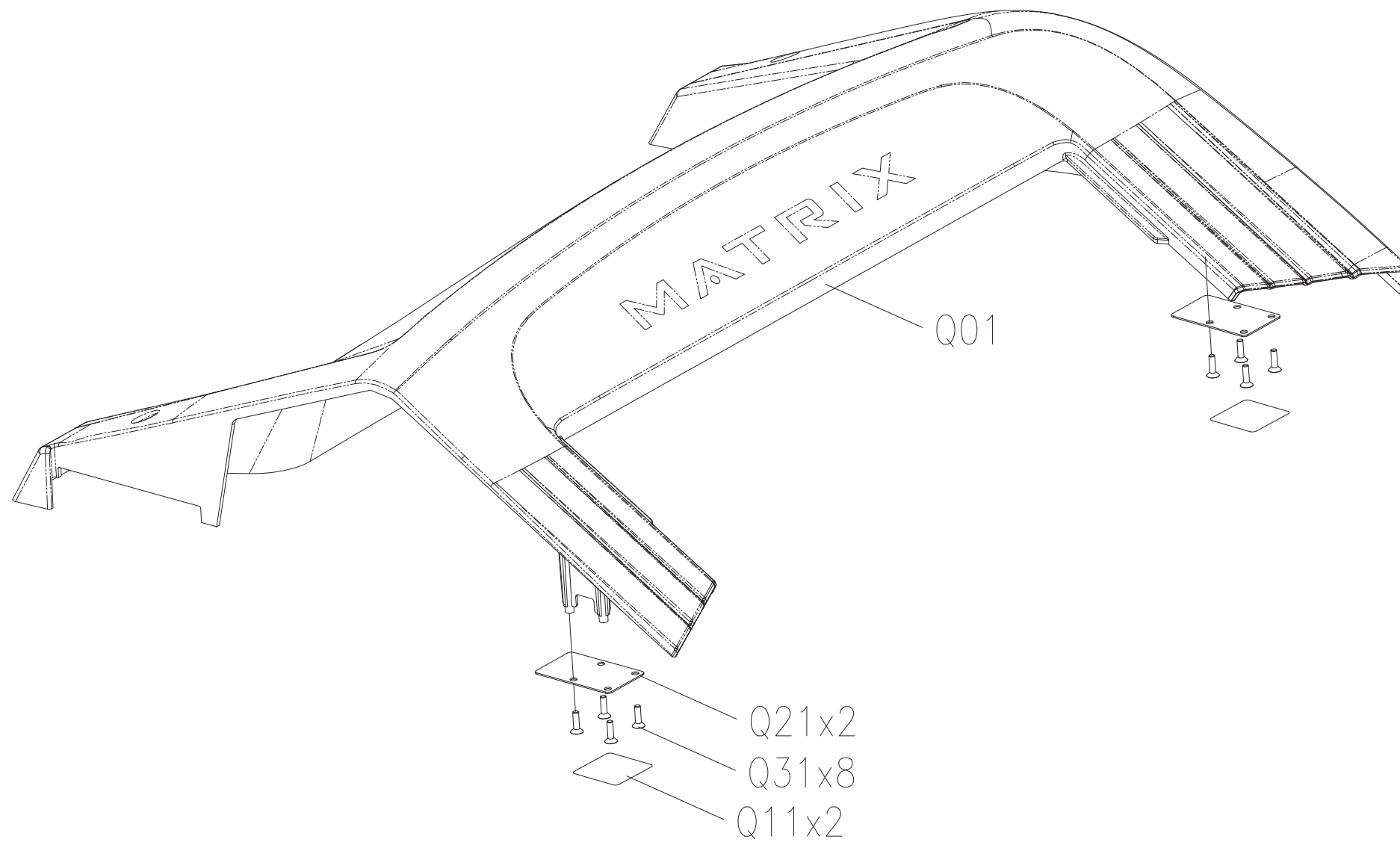
A 詳圖(1:5)

DRAWING NO	TM501-AB29		
PART NAME	Elastomer Set; Miner		
PART NO	As Attachment ^{REV} C		
APPROVE	S.T.C	DATE	092110

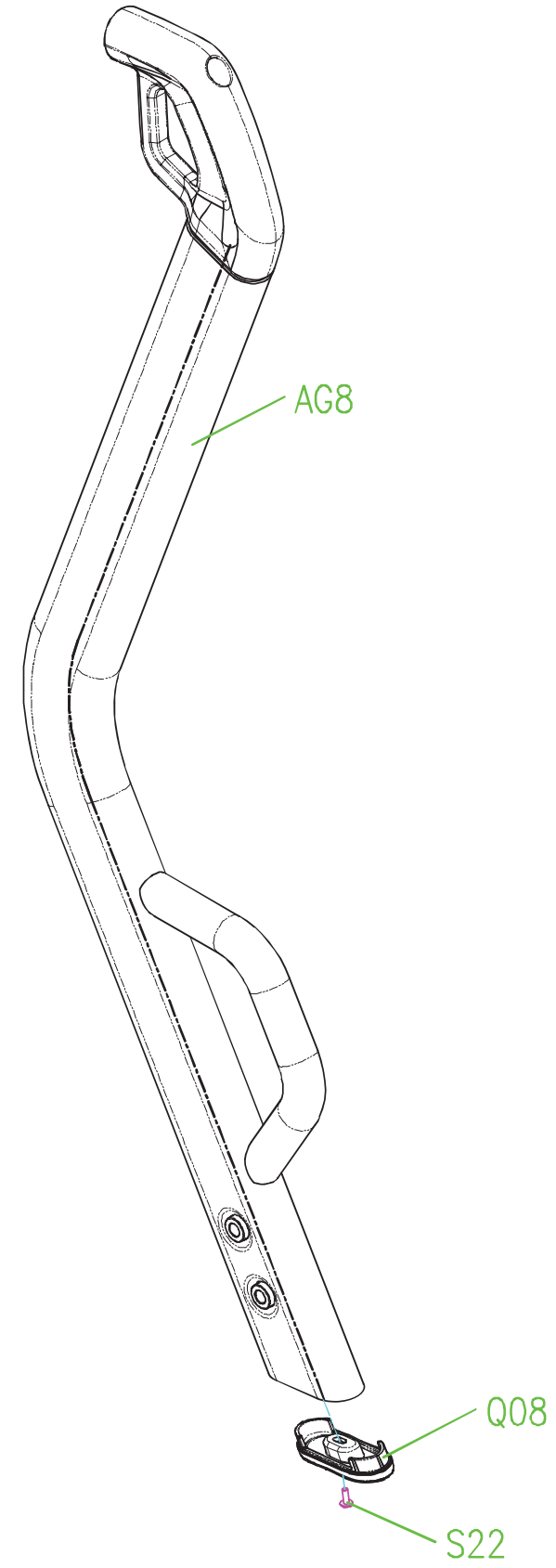


Part No.	Description
1000204015	Miner
0000095663	Nai Ri

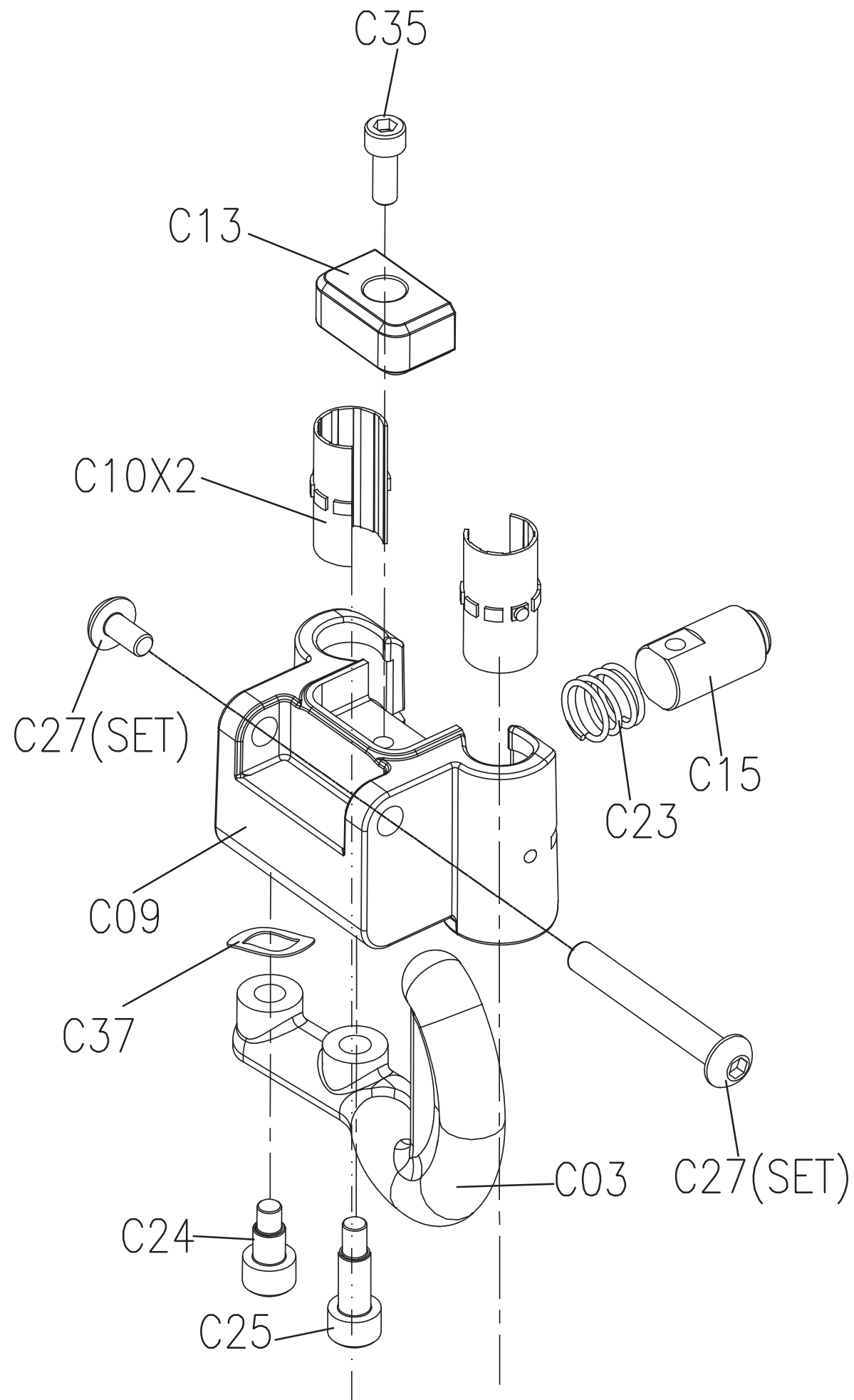
DRAWING NO	TM529-AQ2		
PART NAME	shield set;Frame		
PART NO	1000360921	REV	C
APPROVE	Hermes	DATE	20151002



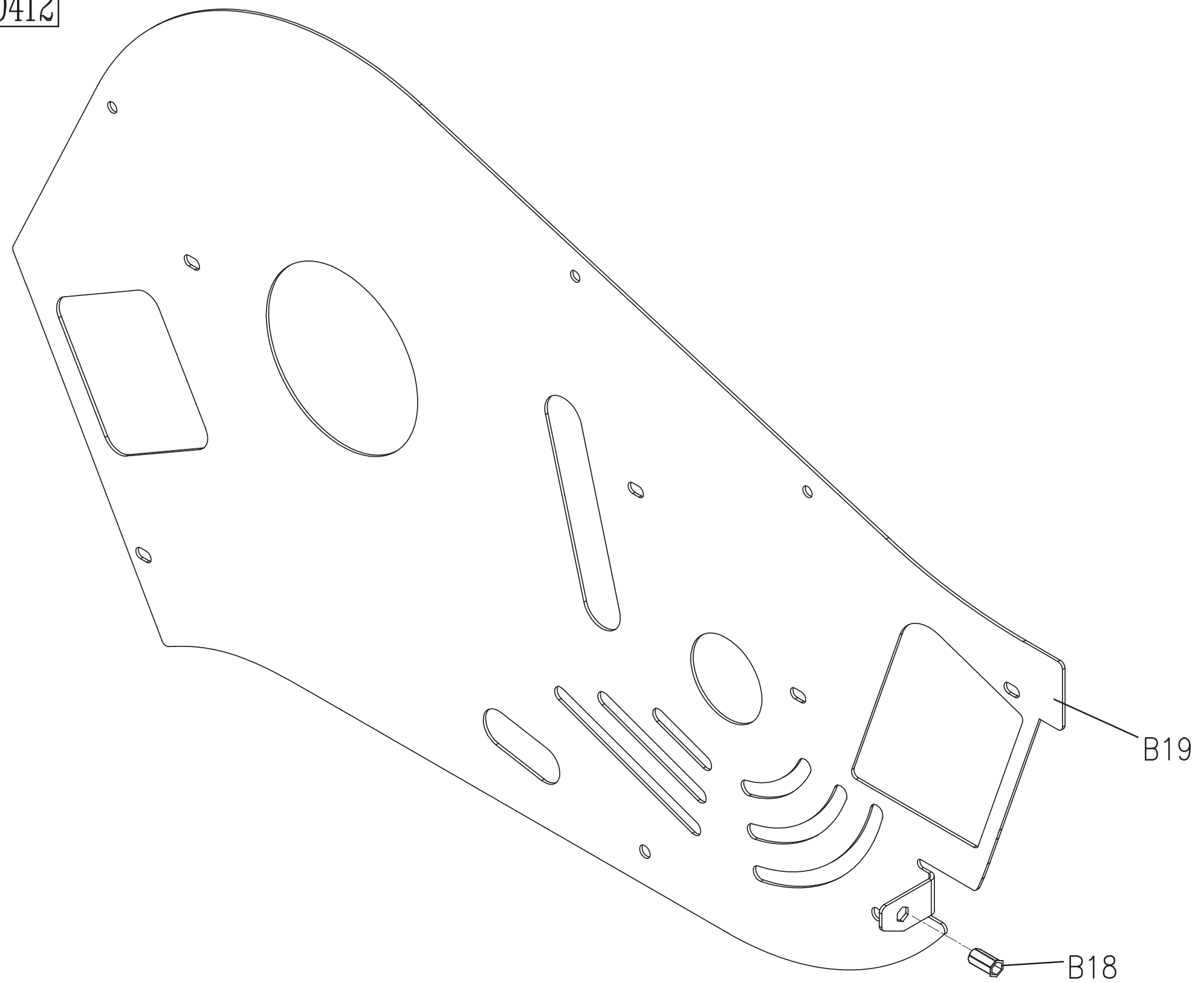
DRAWING NO	TM529-AG7		
PART NAME	Support Tube Set;back;Armrest		
PART NO	1000364029 ^R _B		
APPROVE	Hermes	DATE	20150618




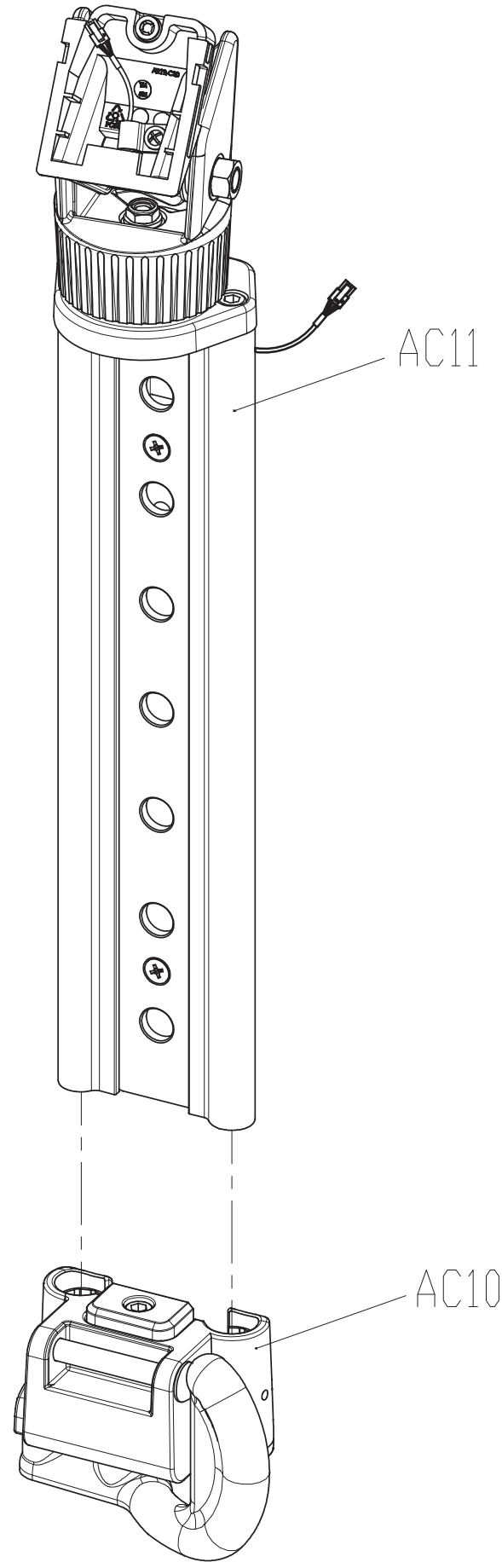
DRAWING NO	TM531-AC11		
PART NAME	Console Set-Assy		
PART NO	1000404129  C		
APPROVE	Amber	DATE	20190225



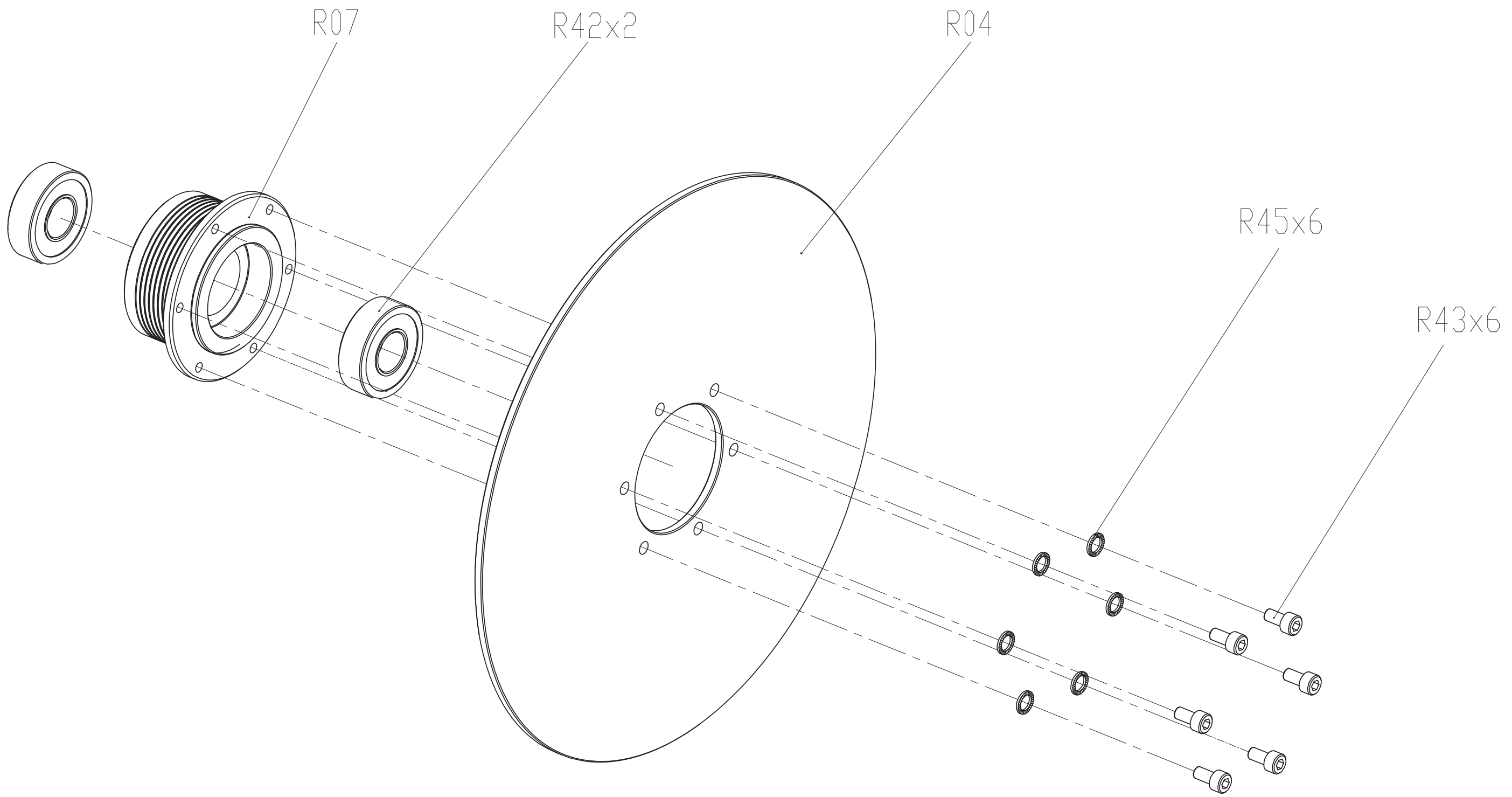
DRAWING NO	TM533-AB19		
PART NAME	Protected Sleeve;;Inner		
PART NO	1000412959 ^R _B		
APPROVE	Amber	DATE	20180412



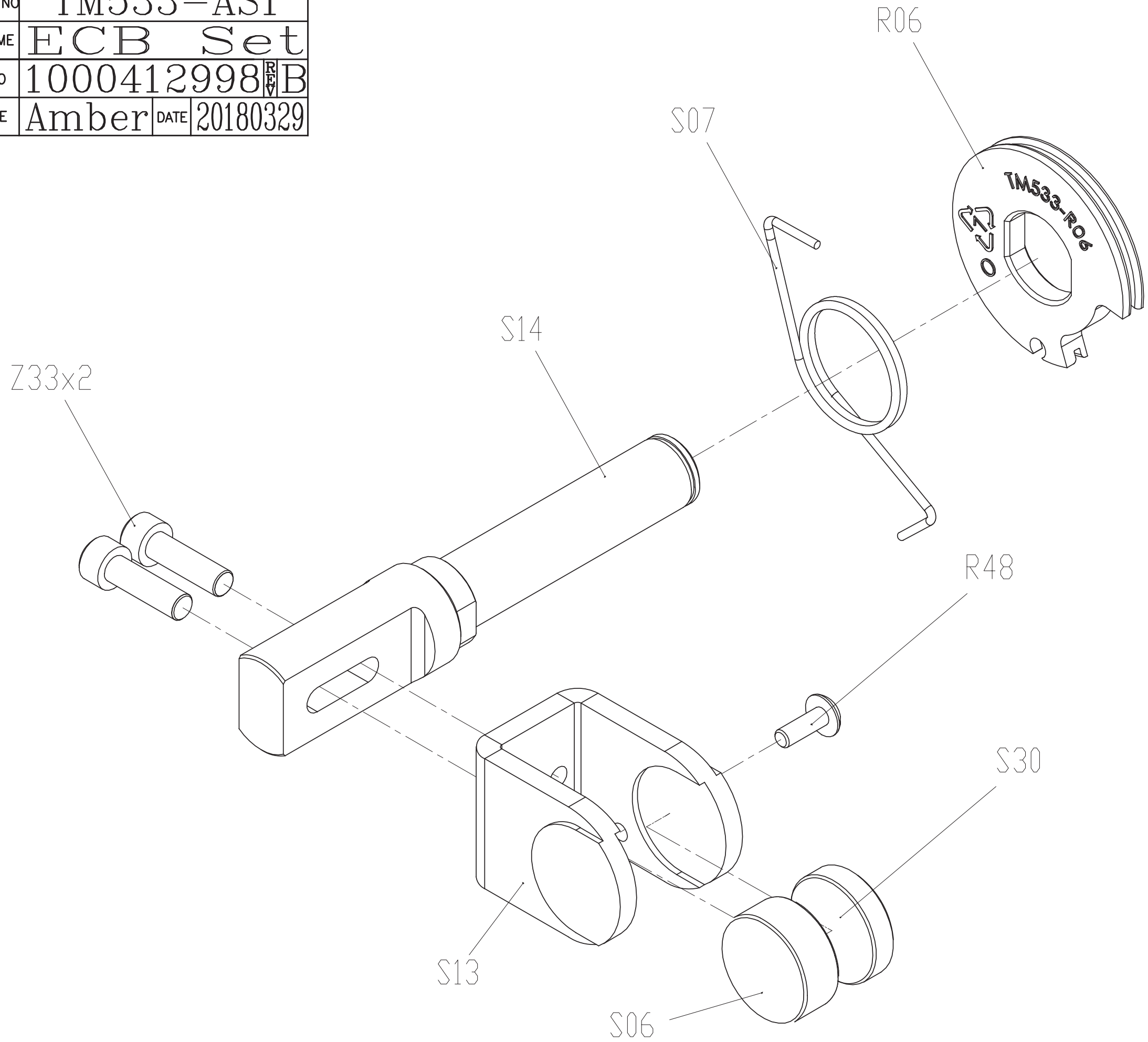
DRAWING NO	TM534-AC9		
PART NAME	Console Base Set;Semi-Assy		
PART NO	1000412962  B		
APPROVE	Amber	DATE	20180403



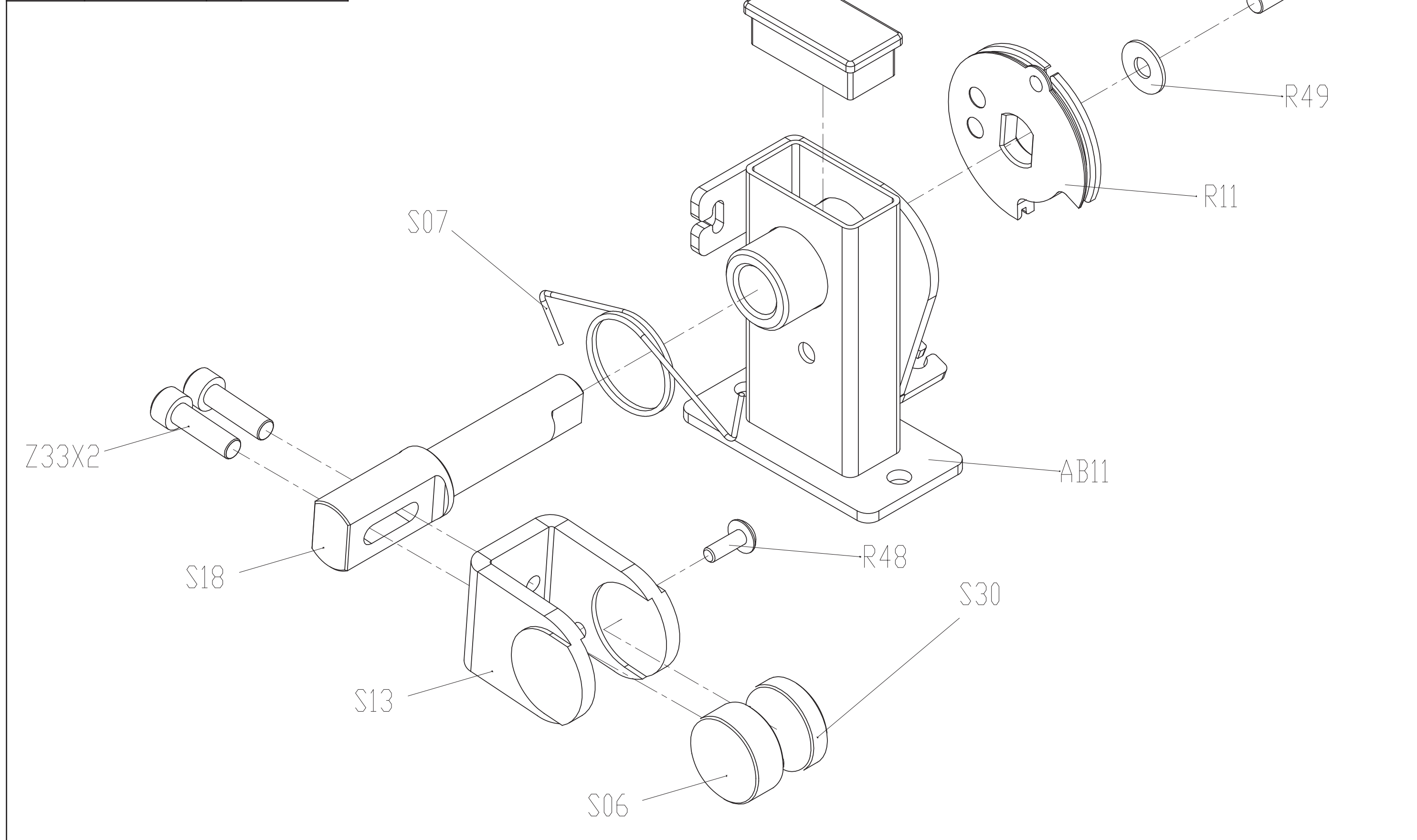
DRAWING NO	TM533-AR4		
PART NAME	Fly Wheel Set		
PART NO	1000412995 REV B		
APPROVE	Amber	DATE	20180320




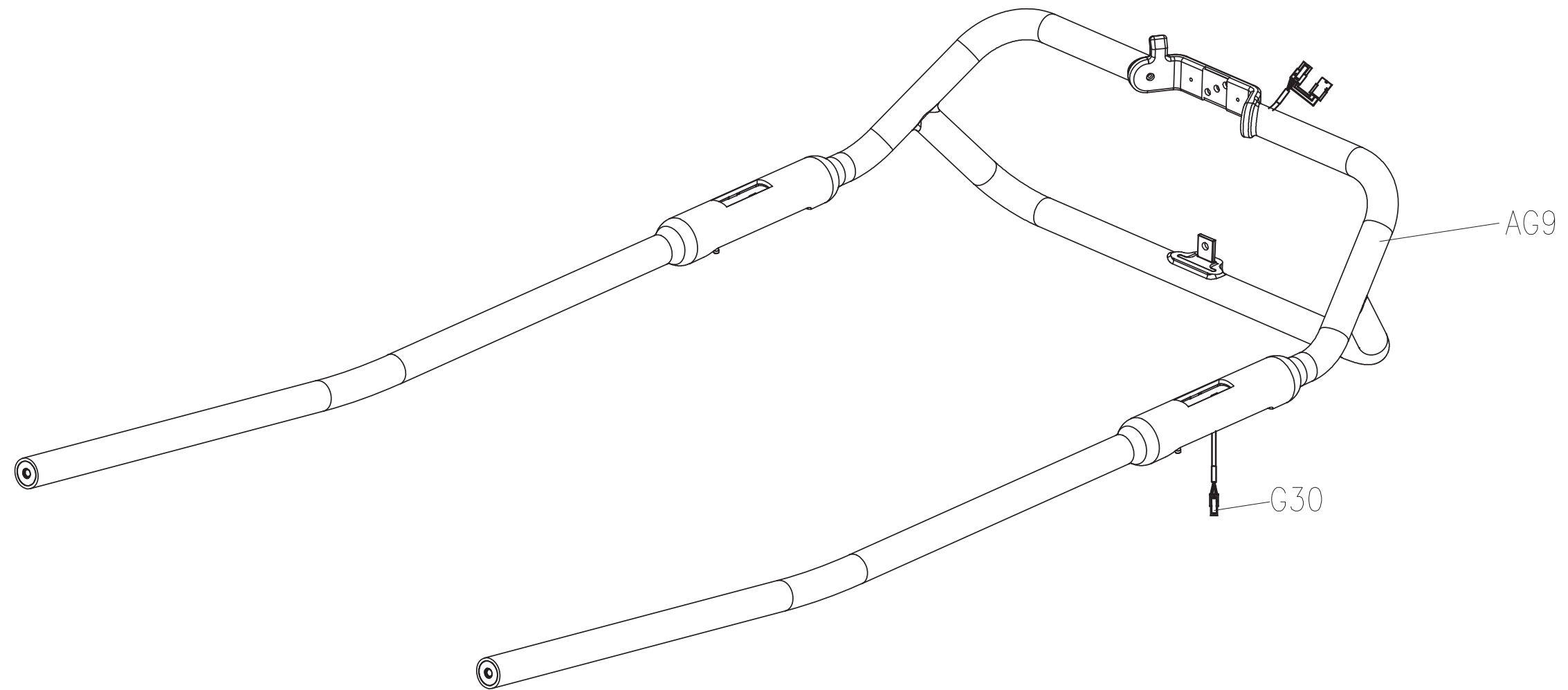
DRAWING NO	TM533-AS1		
PART NAME	ECB Set		
PART NO	1000412998 ^{REV} B		
APPROVE	Amber	DATE	20180329



DRAWING NO	TM533-AS2		
PART NAME	ECB Set		
PART NO	1000413001R1C		
APPROVE	Amber	DATE	20180612

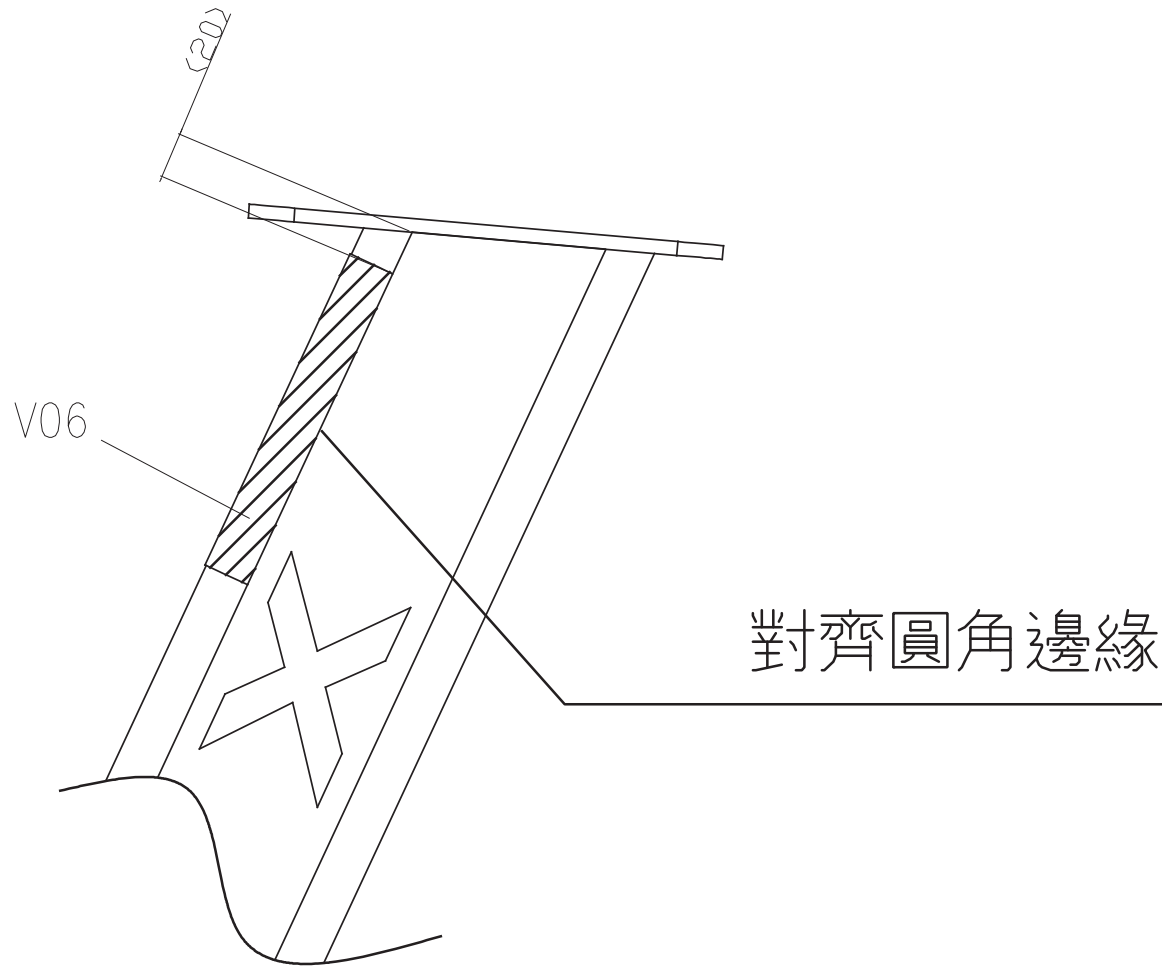


DRAWING NO	TM534-AG11		
PART NAME	Arm Rest set		
PART NO	1000413054  B		
APPROVE	Amber	DATE	20180403

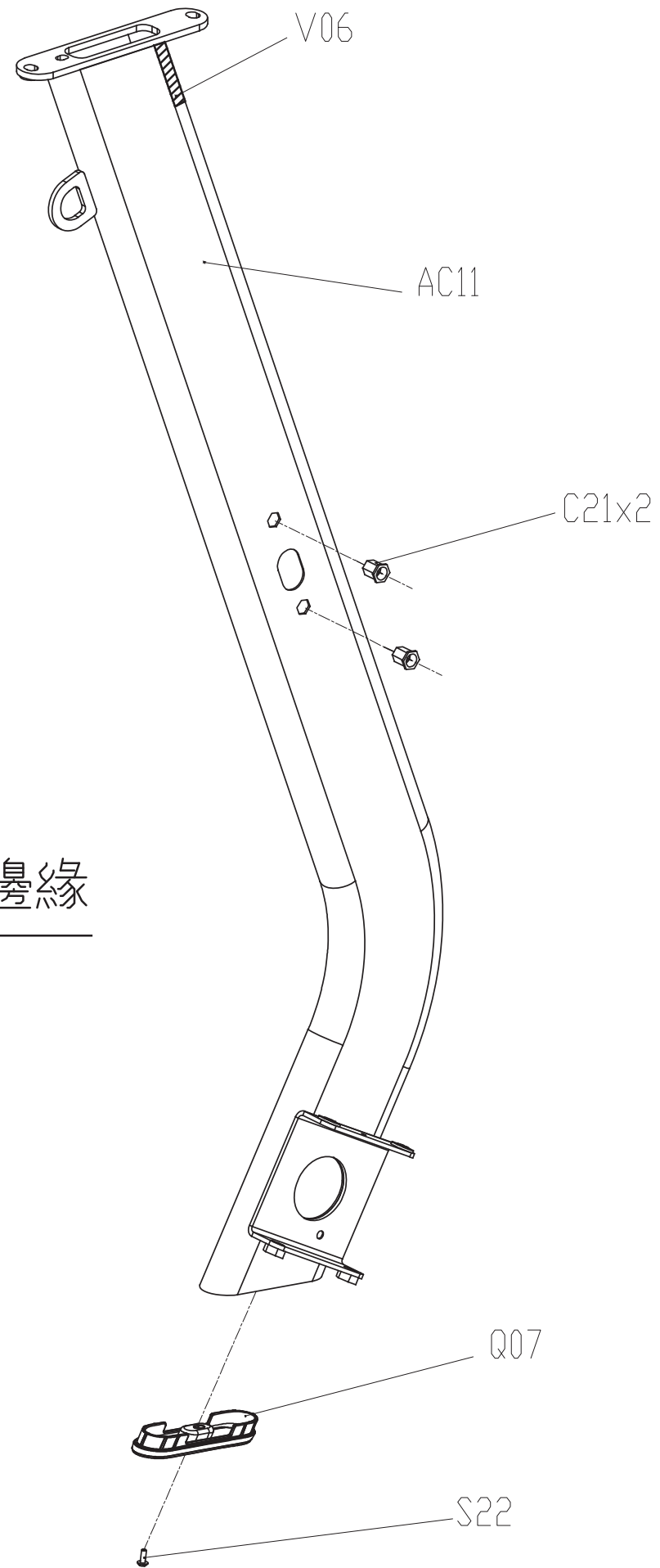


DRAWING NO	TM533-AC12		
PART NAME	Support tube group;handlebar;left		
PART NO	女口付表		
APPROVE	Amber	DATE	20180904

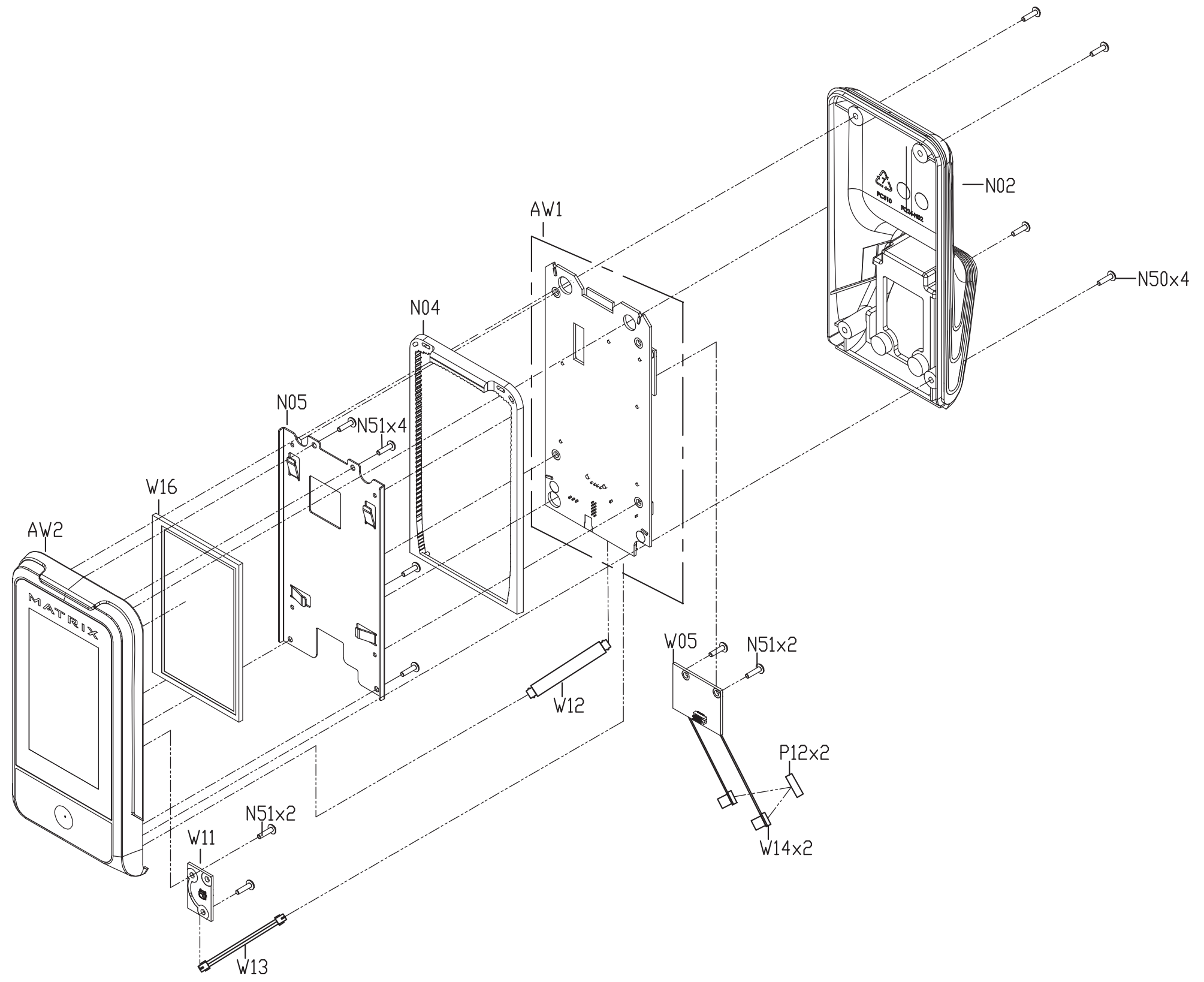
SAP NO.	Model Name
1000417021	TSD(Black Matte)
1000419302	TSD(Black Matte-Double paint)



貼附示意圖

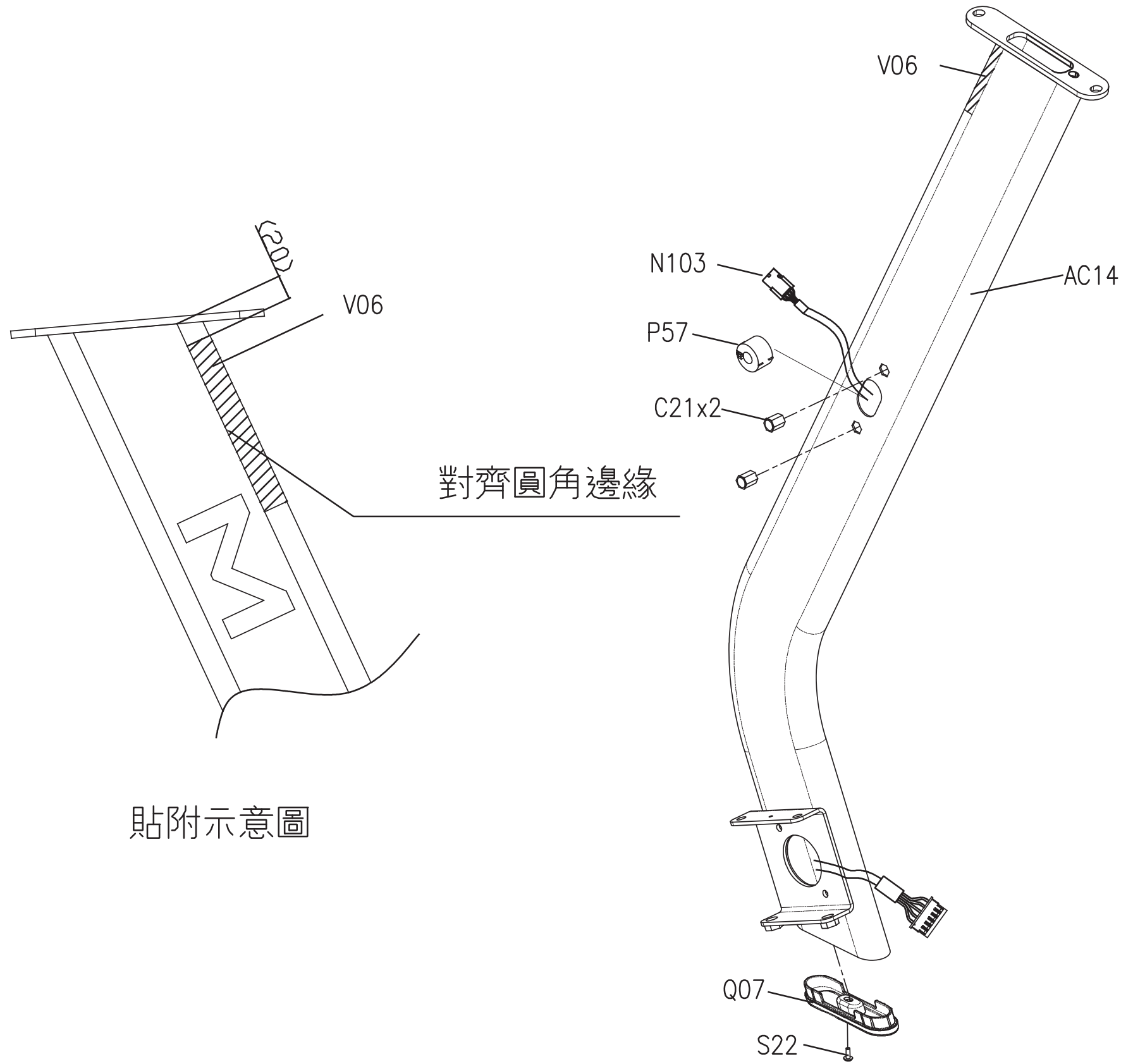


DRAWING NO	FC26C-AN1		
PART NAME	Console set;Semi-Assy		
PART NO	1000421642E		
APPROVE	S.T.C	DATE	20200327

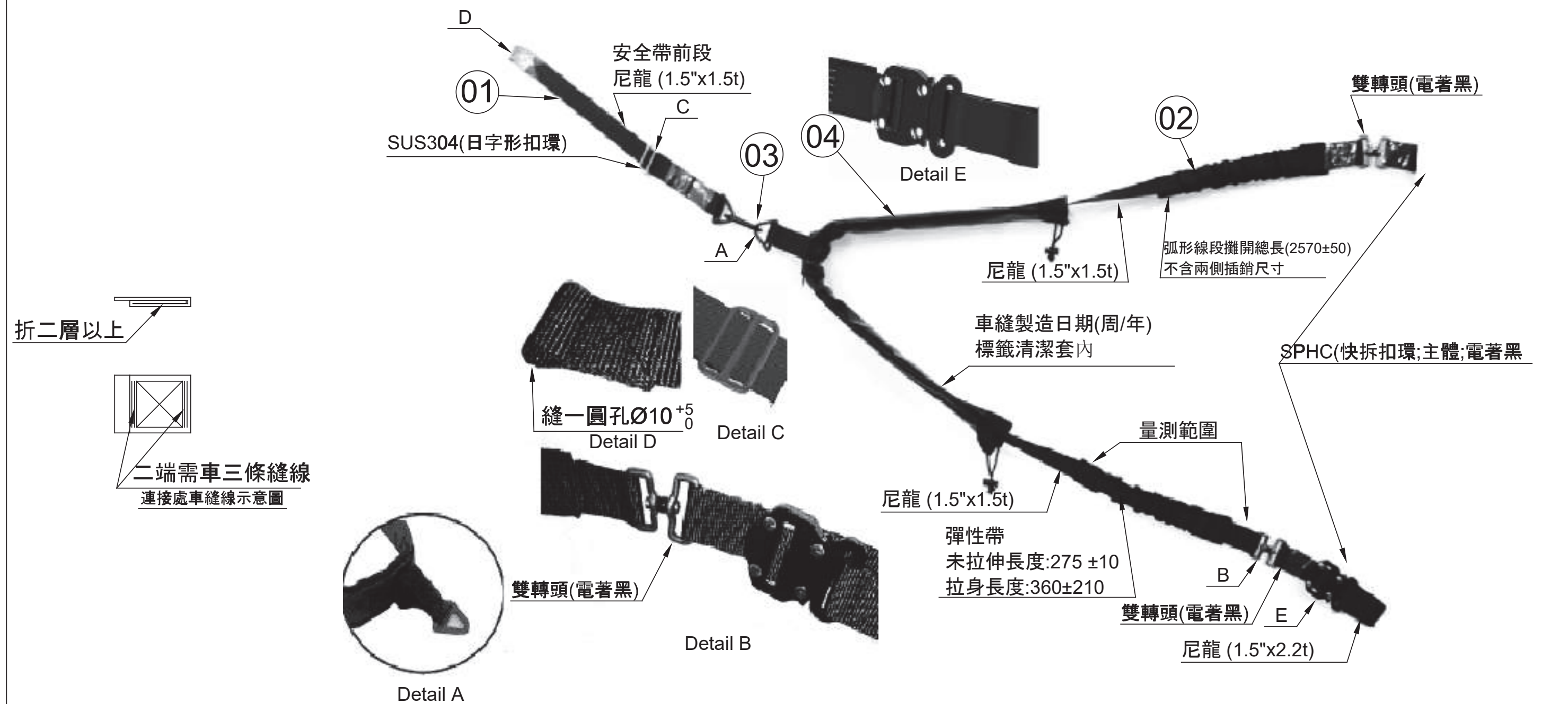


DRAWING NO	TM535-AC13		
PART NAME	Support Tube Set;Right;Armrest		
PART NO	As attachment ^R _L B		
APPROVE	Gingo	DATE	20190111

SAP NO.	Model Name
1000436440	Black Matte
1000436442	Black Matte-Double paint



DRAWING NO	TM533-B46		
PART NAME	Seat belt Set;Elastic		
PART NO	1000436626		
APPROVE	AMBER	DATE	20190114



NOTES:

- 1.未標註尺寸,材質,規格及扣具(環)依據限度樣品
Unspecified dimension, material and specification per golden sample
- 2.須通過零件承認,依據PPAP-DE-23-009
Must pass the certification of PPAP, per PPAP-DE-23-009
- 3.防水/汗套(可拆式)的形式及規格,依據限度樣品
The specification and type of waterproof sleeve per golden sample