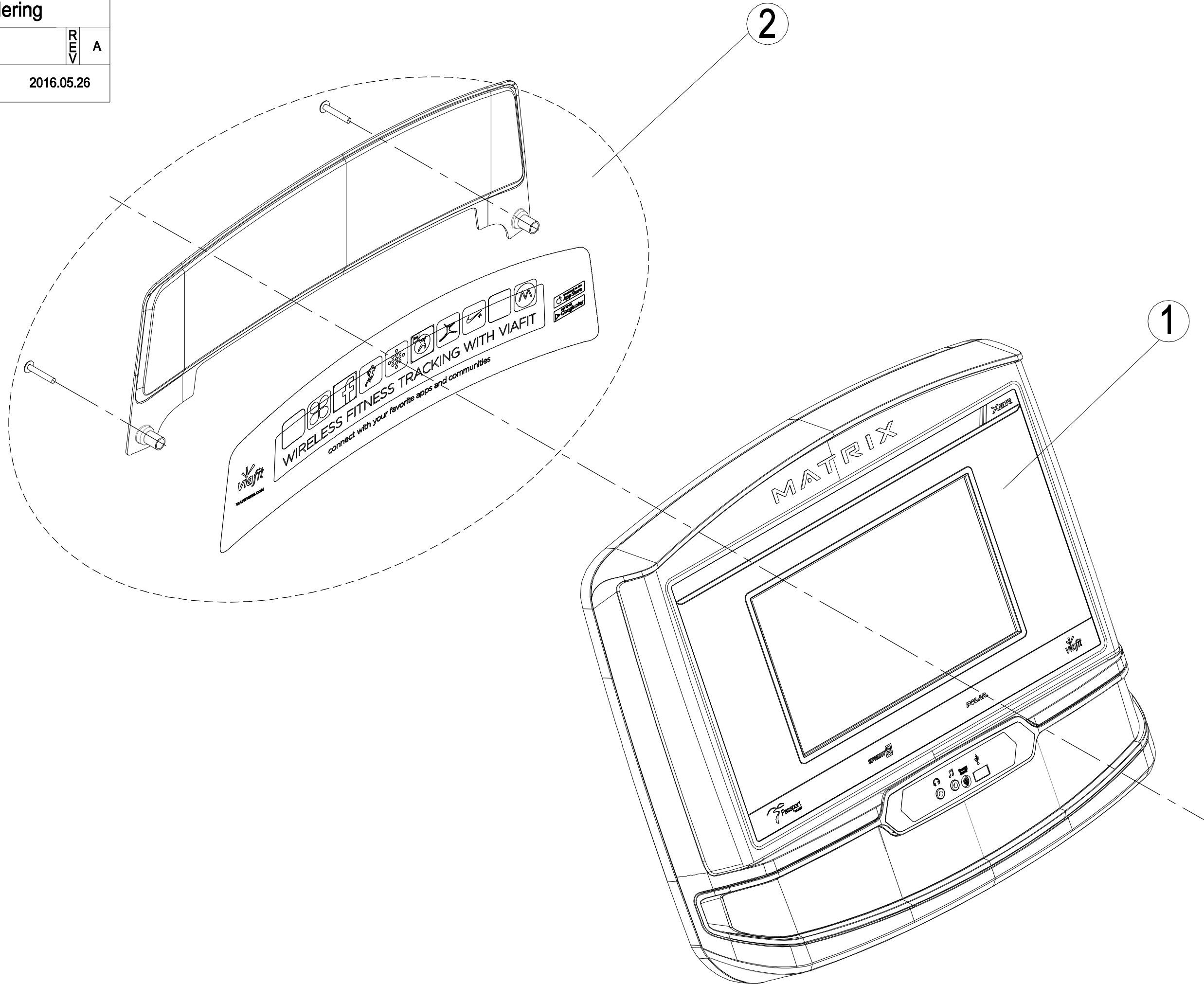
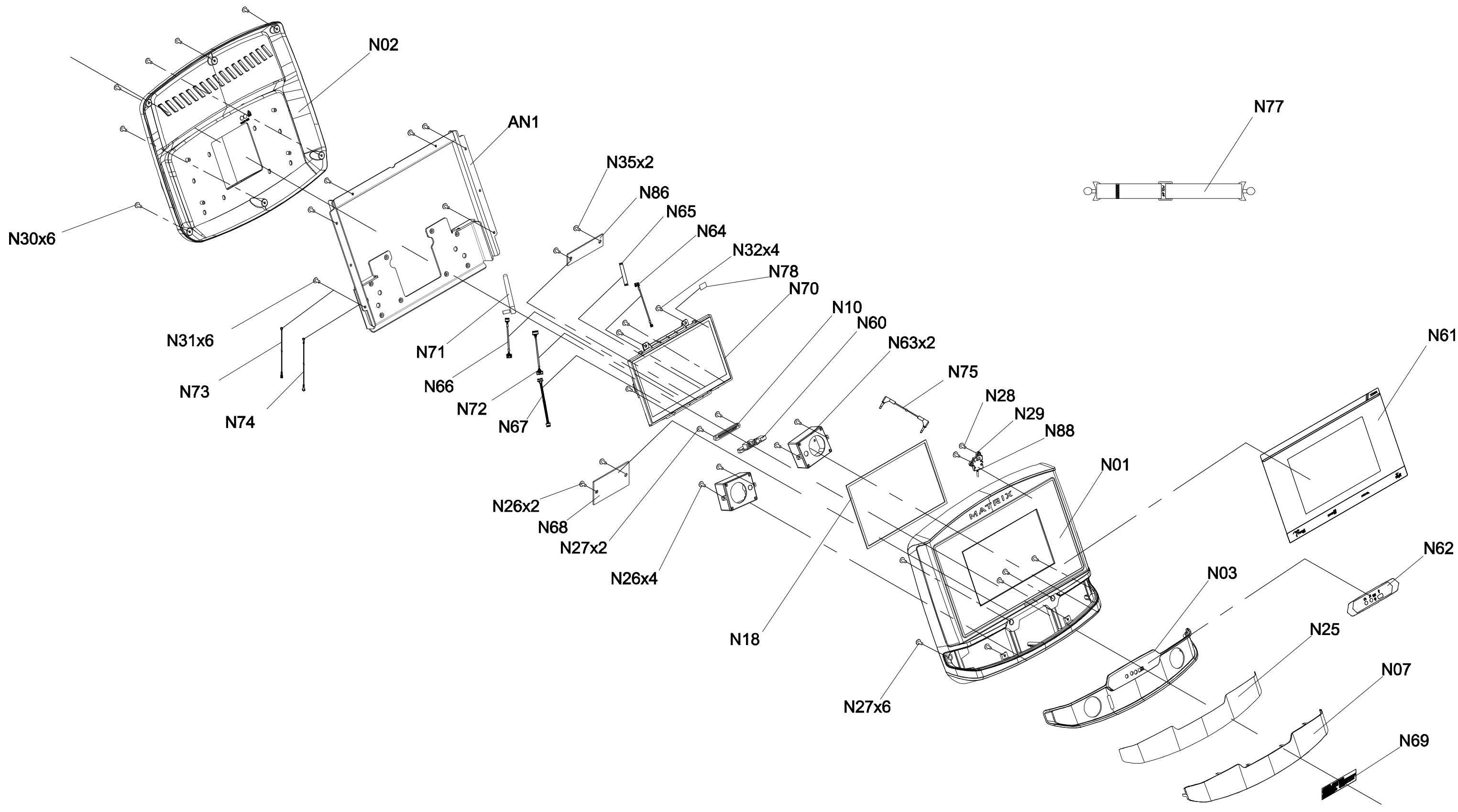


DRAWING NO	PTM698-1US-C		
PART NAME	Explosive Rendering		
PART NO	MTM0601-00	REV	A
APPROVE	Harvey	DATE	2016.05.26



DRAWING NO	TM698-A12		
PART NAME	Console Set		
PART NO	1000354724	REV	A
APPROVE	Harvey	DATE	2016.05.26



DRAWING NO	TM698-AN3		
PART NAME	Label set;;;POP;English		
PART NO	1000390276	REV	A
APPROVE	Harvey	DATE	2016.05.30

