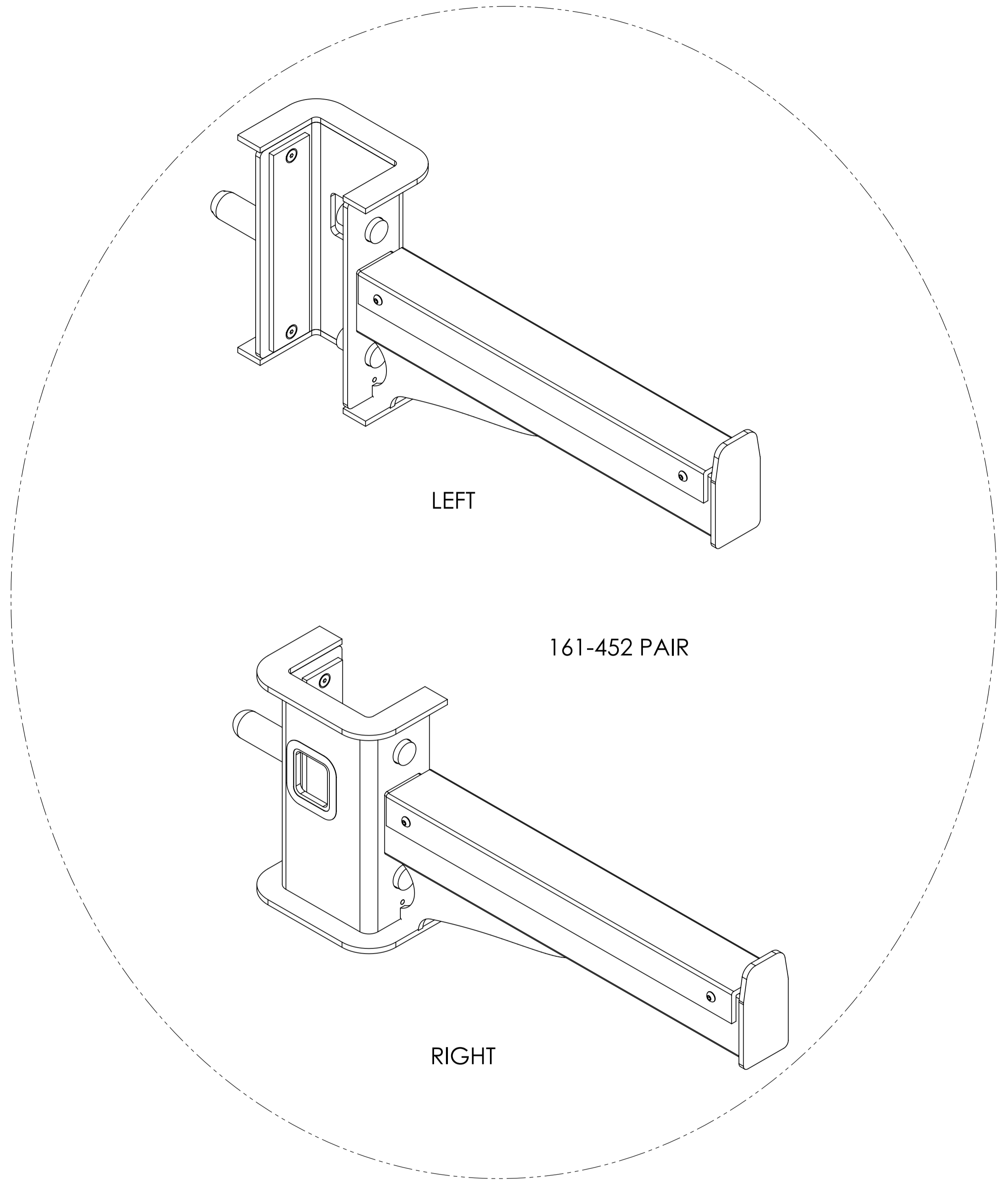


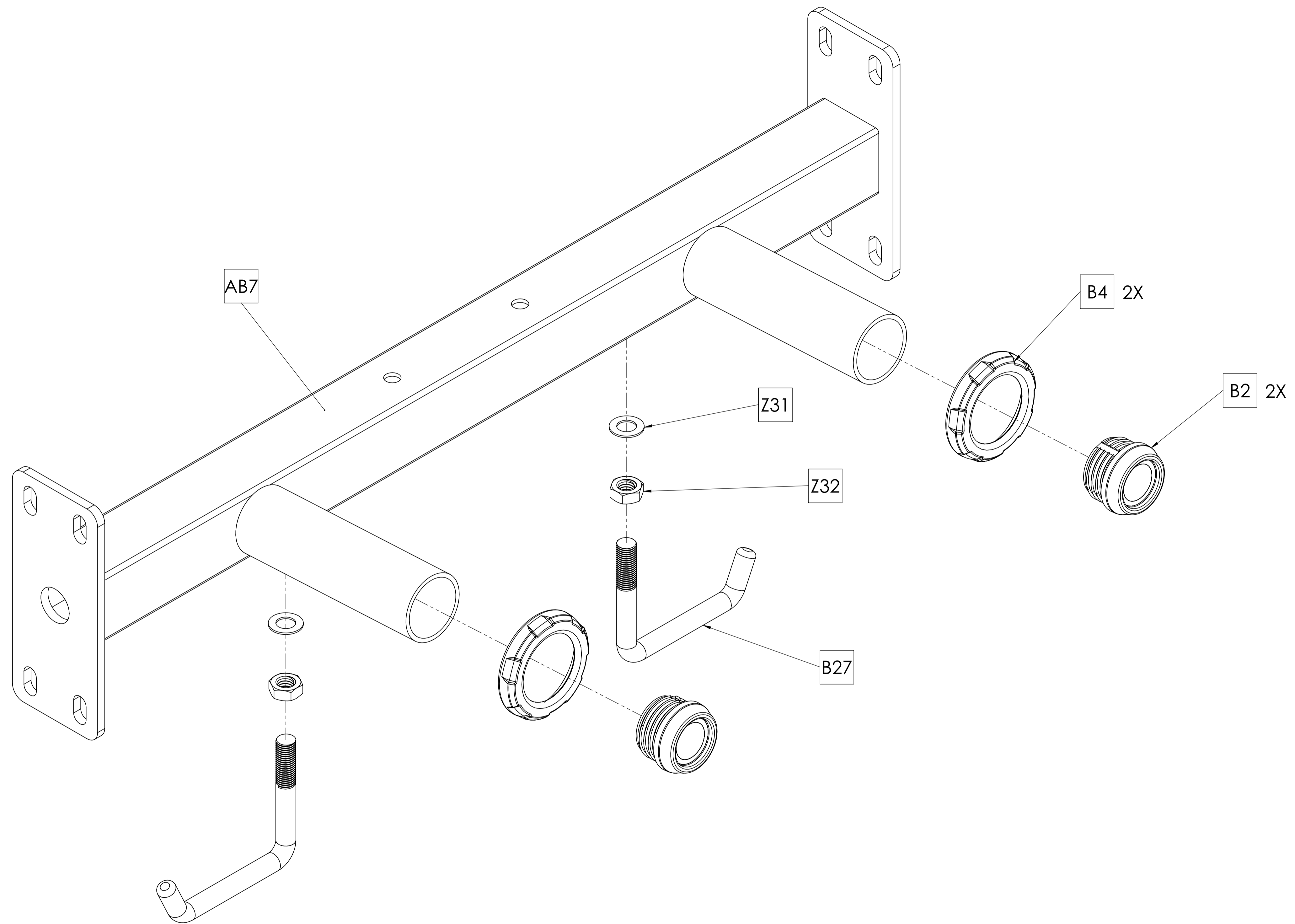
NOTES:

1. All service parts listed are the same for both the left and right safety arms.
2. The PAIR of safetyarms must be ordered if an entire safety arm needs replacement.



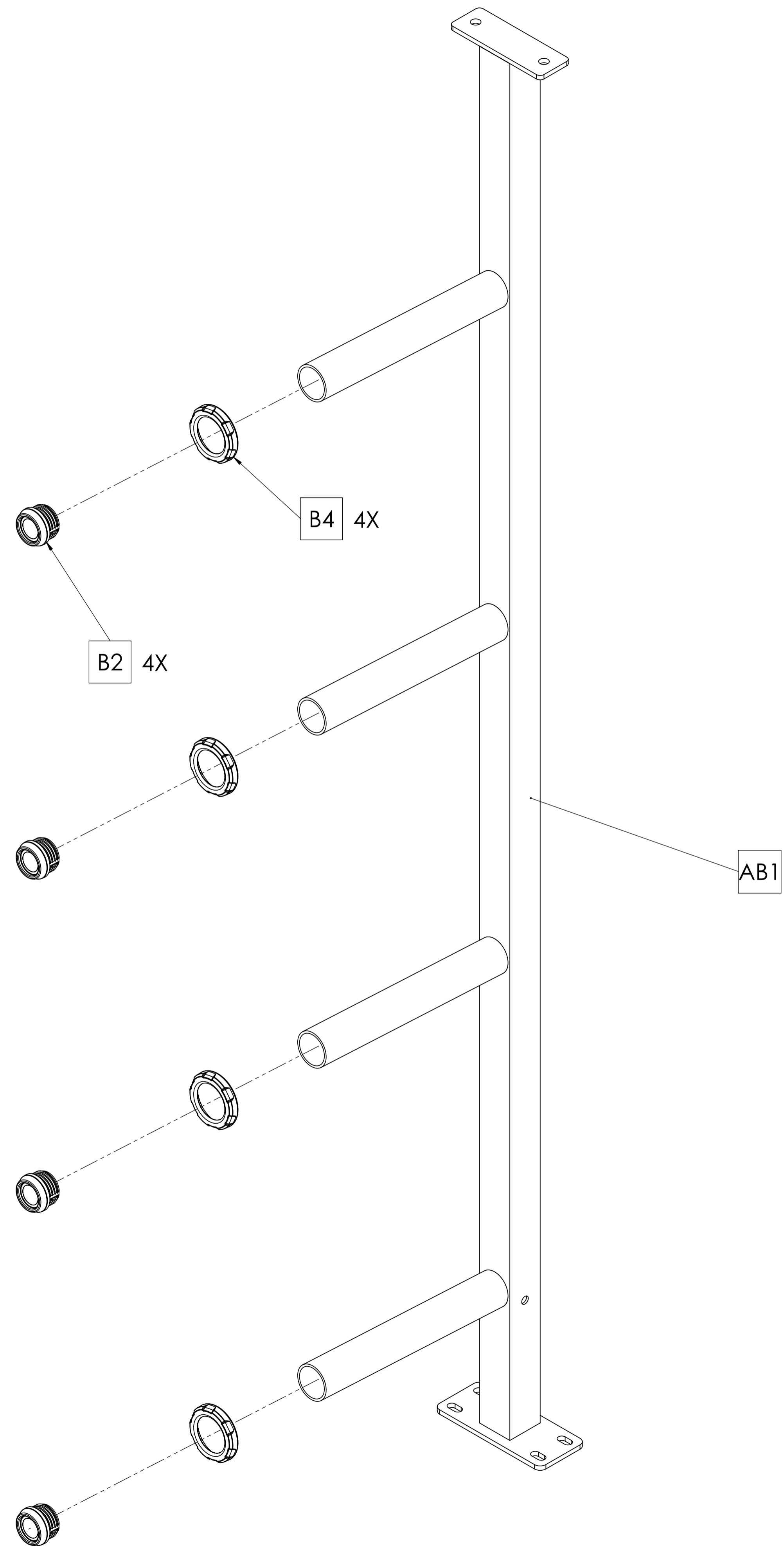
**MATRIX**

DWG NO.		161-452 SAFETY ARMS SERVICE	
DESCRIPTION:		SAFETY ARMS A691S (Racks & Platforms)	
DRAWN BY:	LG	DATE:	2020.MAR.13
UPDATED BY:	KMK	DATE:	2021.DEC.09



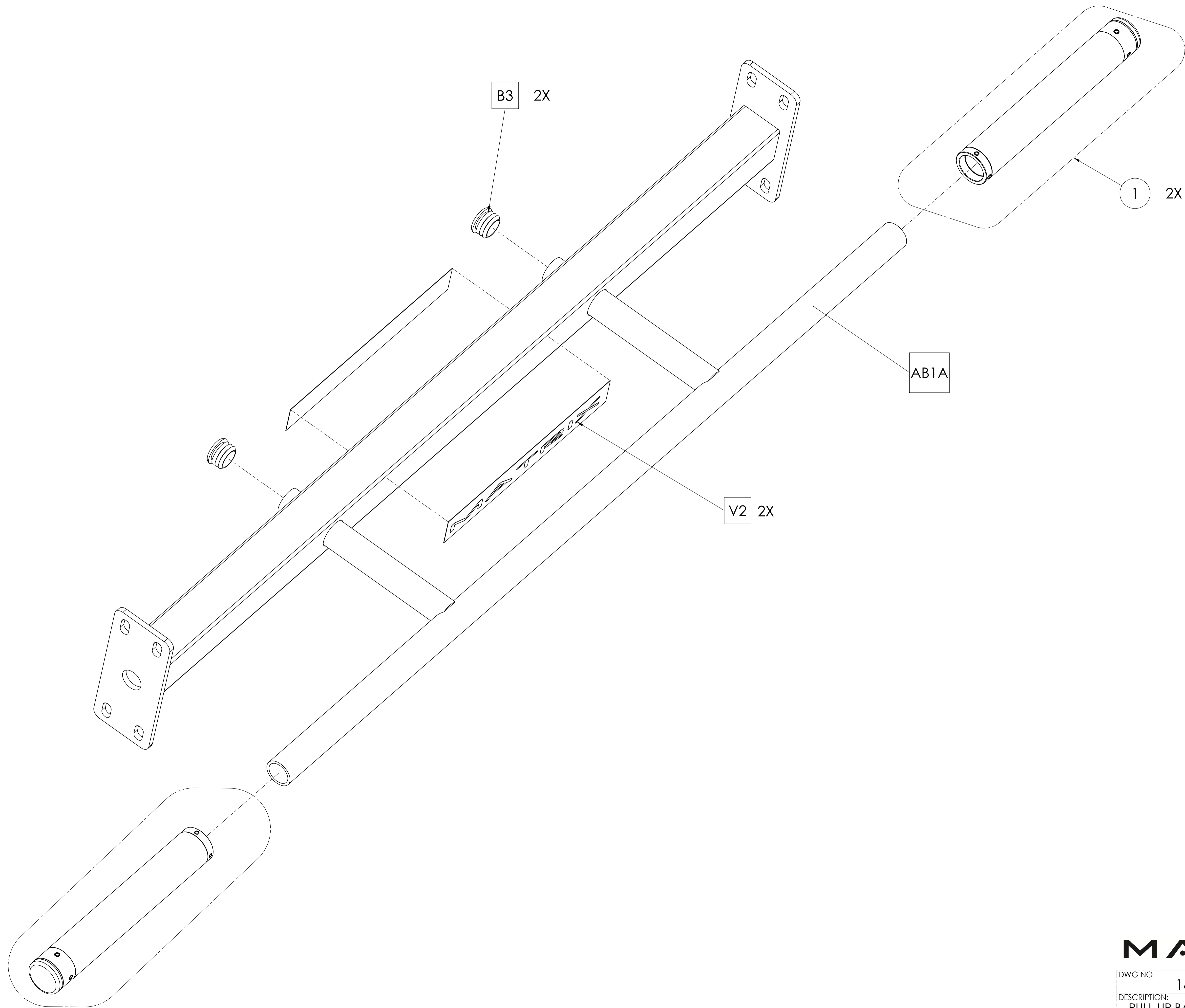
**MATRIX**

DWG NO.	161-340 SERVICE		
DESCRIPTION:	A691S TOP SUPPORT (Strength - Single Station)		
DRAWN BY:	LG	DATE:	2020.FEB.28
UPDATED BY:		DATE:	



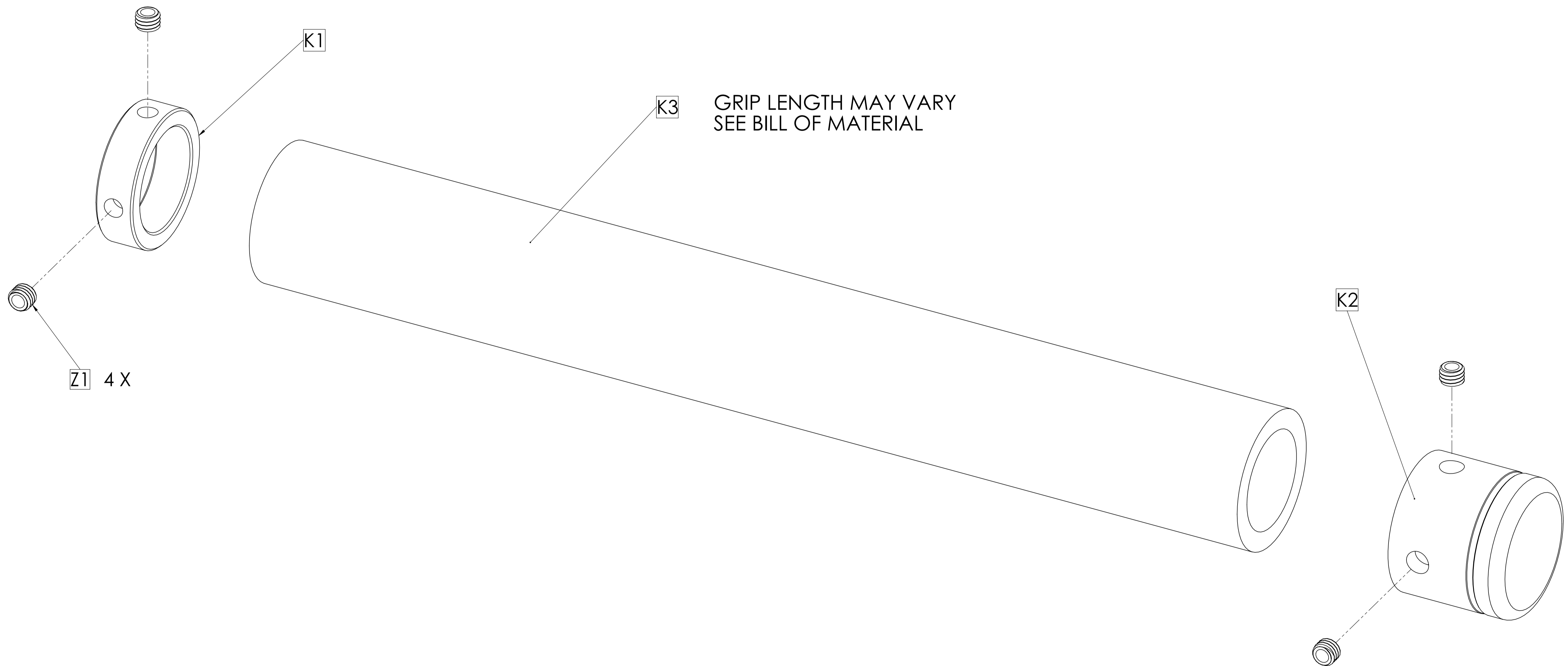
**MATRIX**

DWG NO.	161-339 SERVICE	
DESCRIPTION:	D691-05 WEIGHT STORAGE ASSY ( Strength - Single Station)	
DRAWN BY:	LMB	DATE: 2019.JAN.23
UPDATED BY:	LG	DATE: 2020.FEB.28



**MATRIX**

DWG NO.	160-304 SERVICE		
DESCRIPTION:	PULL UP BAR; POWER RACK-04 SERIES		
DRAWN BY:	LMB	DATE	2014.APR.18
UPDATED BY:	LG	DATE	2020.JAN.21



K3 GRIP LENGTH MAY VARY  
SEE BILL OF MATERIAL

Z1 4 X

# MATRIX

DWG NO: 160-056,160-057,160-058,160-059			
SERVICE			
DESCRIPTION: HAND GRIP (RUBBER GRIP TUBE)			
DRAWN BY:	LMB	DATE:	2013.OCT.07
UPDATED BY:	LMB	DATE:	2015.JUN.05