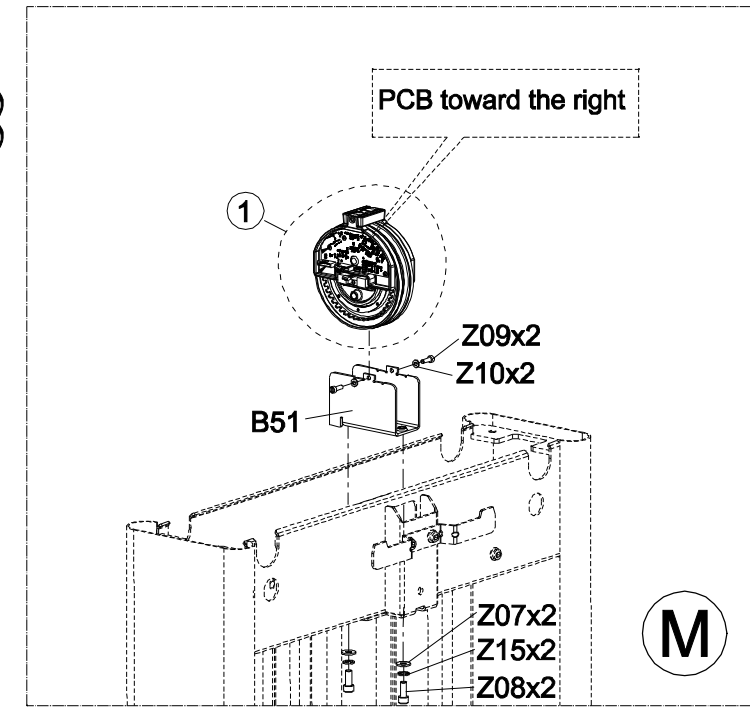
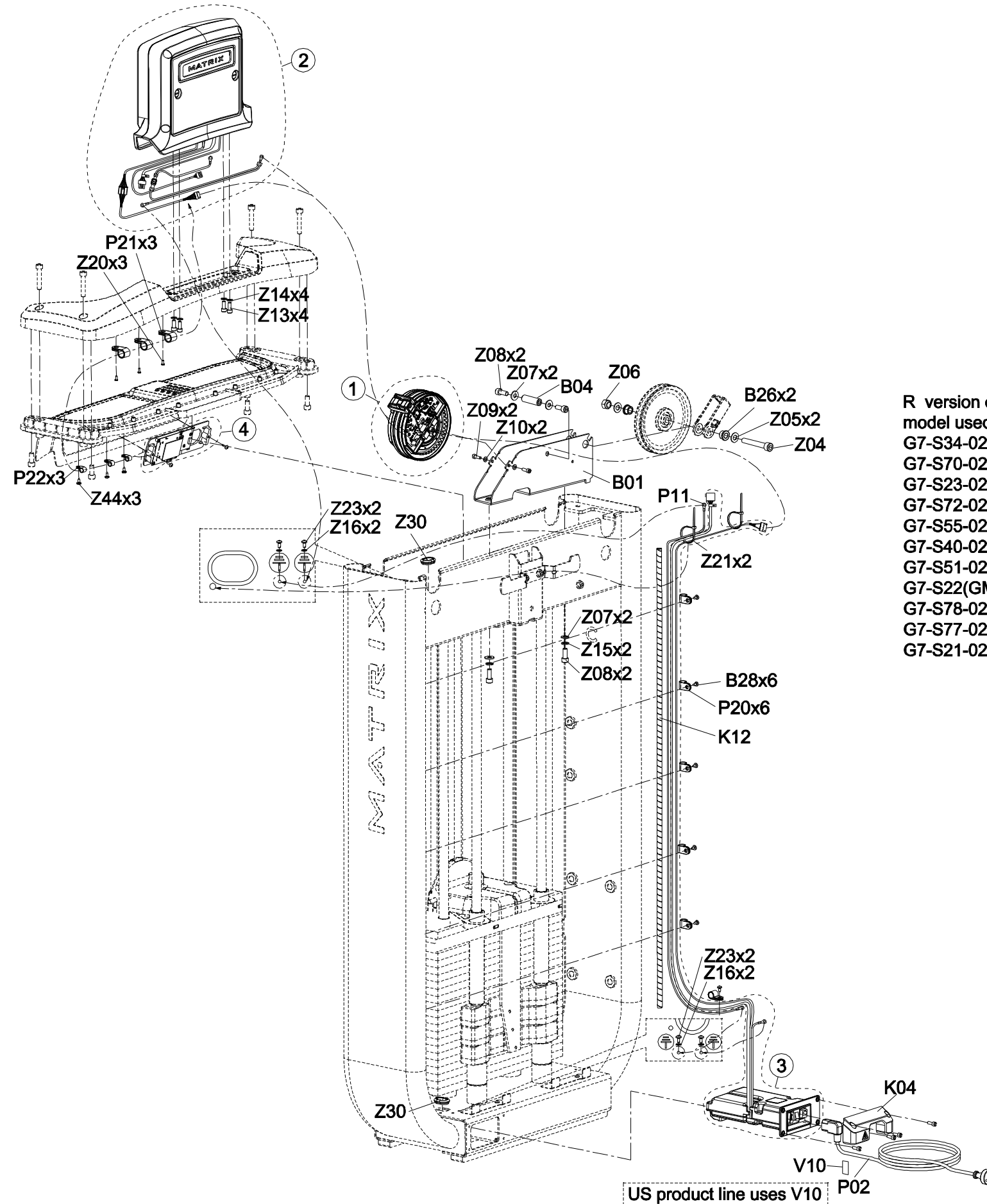


DRAWING NO	PAS1861-KM		
PART NAME	Explosive Diagram		
PART NO	MAS0958-00	REV	A
APPROVE	ALEX	DATE	01.23.2018

M version of the model used :
G7-S75-02(GM115)
G7-S74-02(GM120)

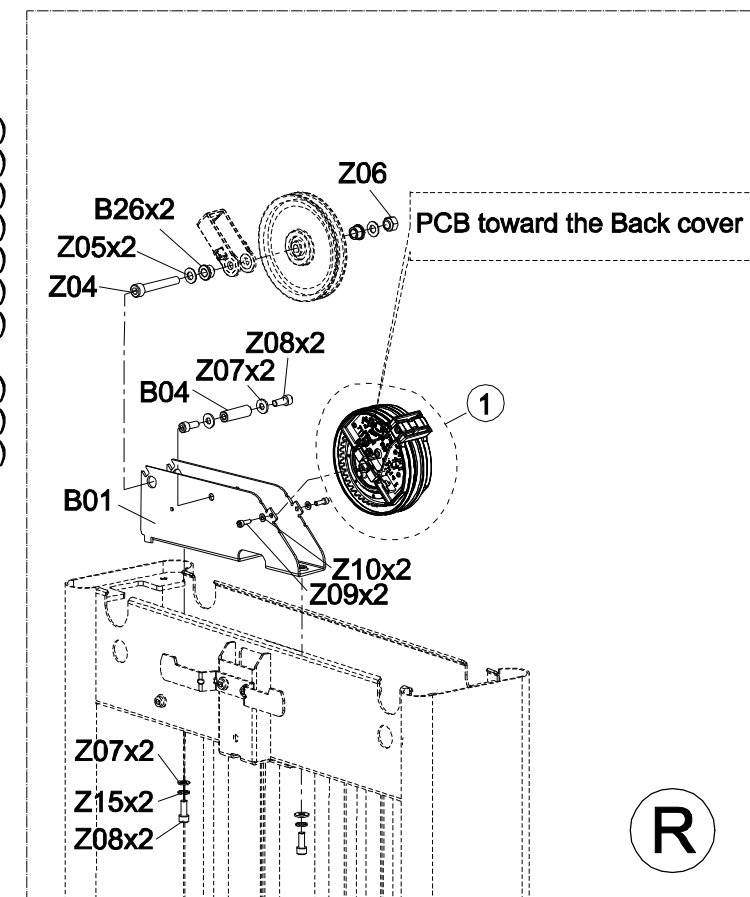
L version of the model used :
G7-S33-02(GM111)
G7-S71-02(GM113)
G7-S13-02(GM118)
G7-S42-02(GM123)
G7-S52-02(GM126)
G7-S73-02(GM127)

L



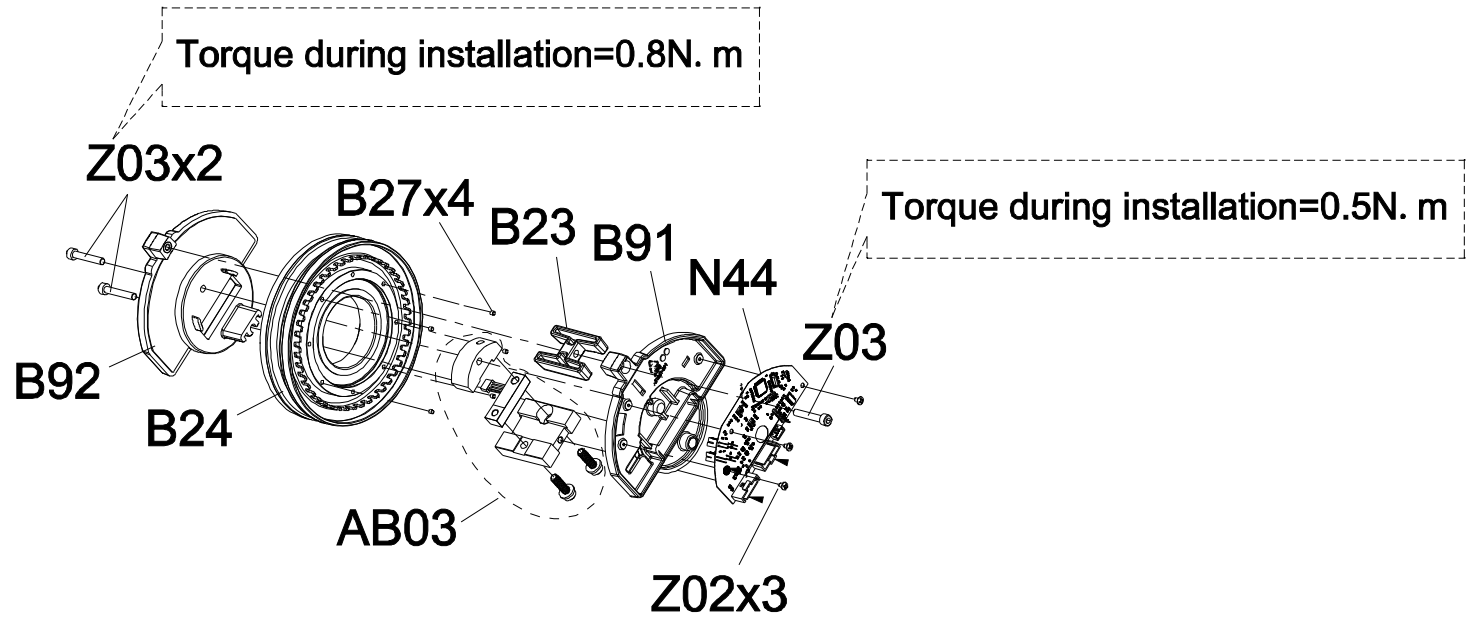
M

R version of the model used :
G7-S34-02(GM112)
G7-S70-02(GM114)
G7-S23-02(GM117)
G7-S72-02(GM119)
G7-S55-02(GM121)
G7-S40-02(GM122)
G7-S51-02(GM124)
G7-S22(GM125)
G7-S78-02(GM128)
G7-S77-02(GM116)
G7-S21-02(GM129)

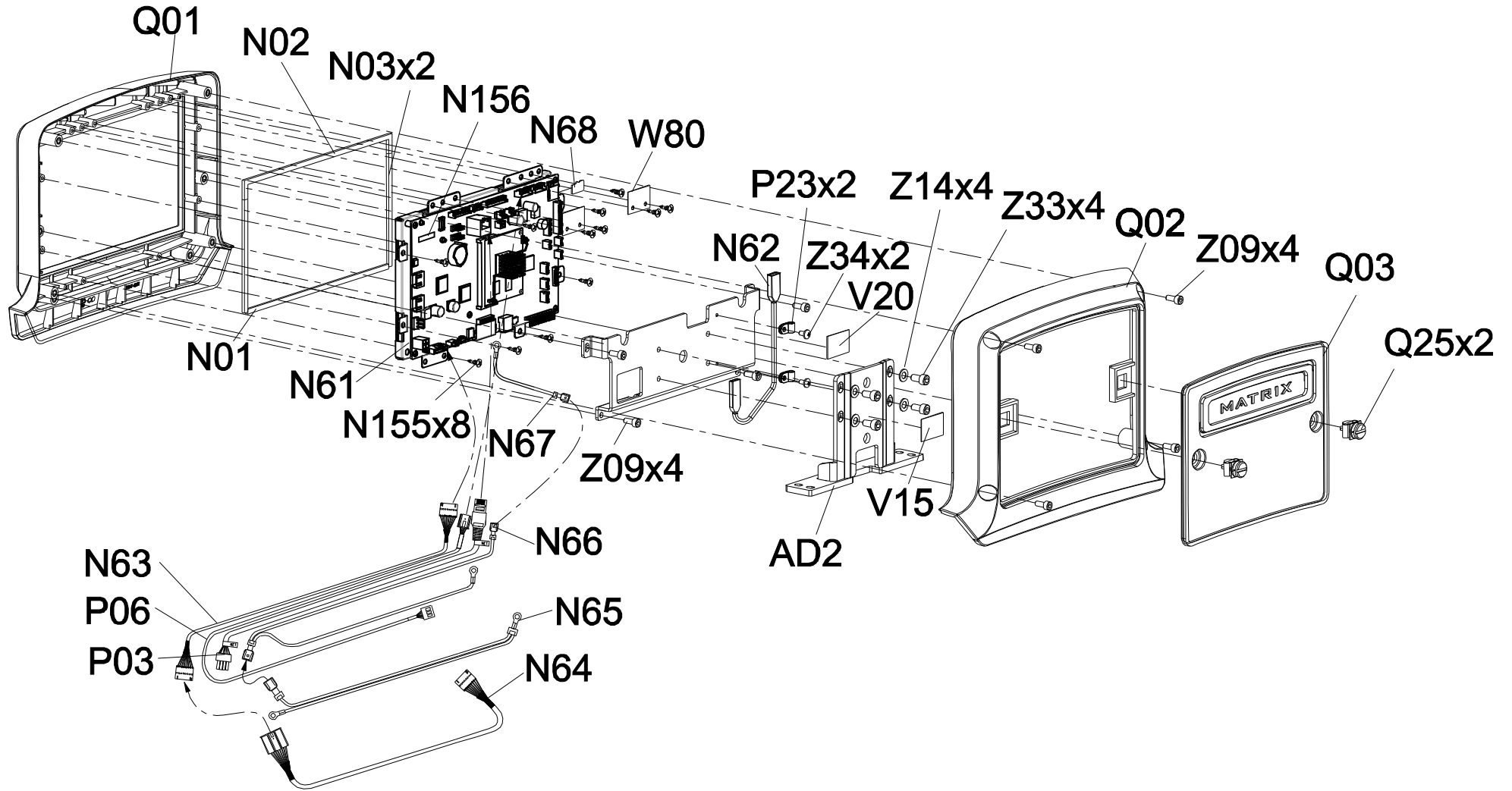


R

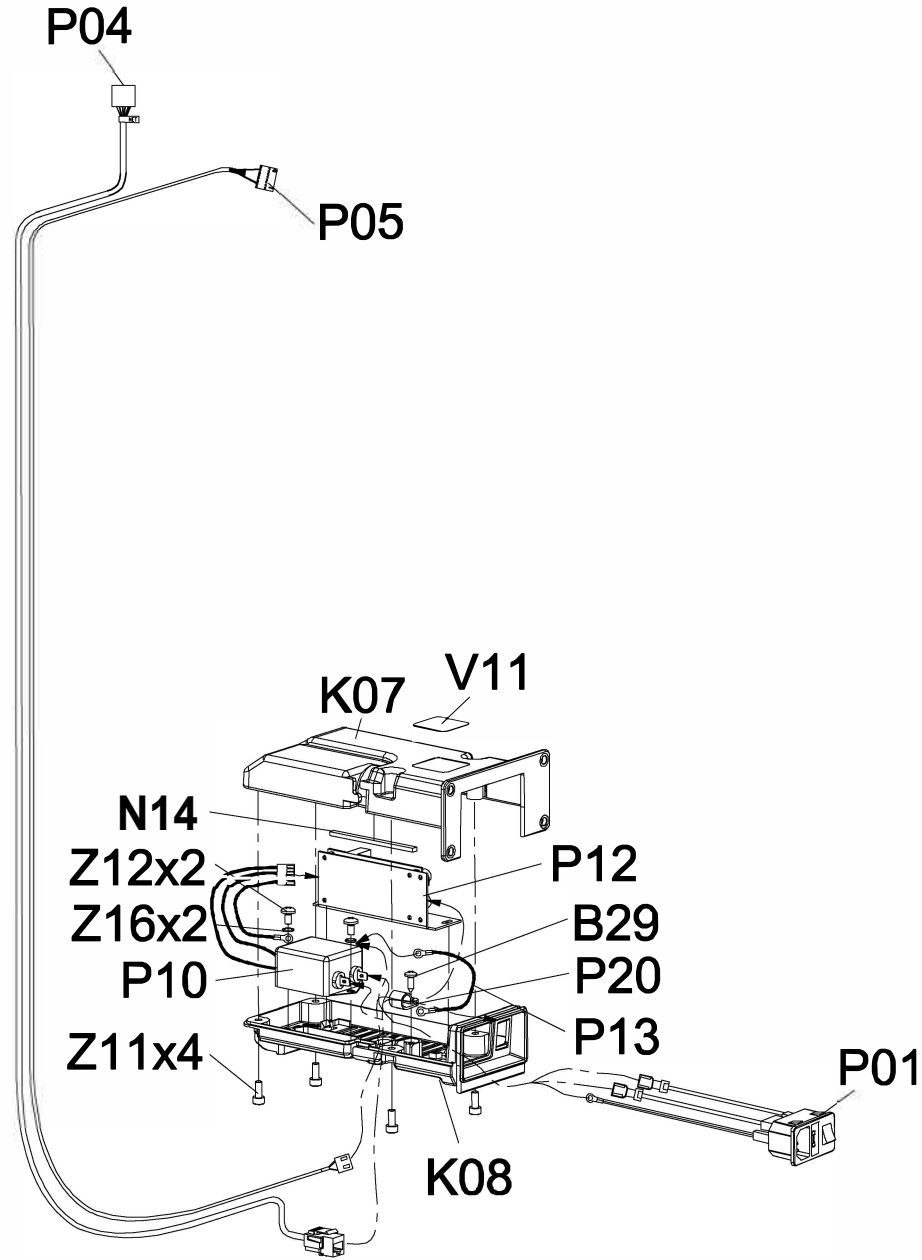
DRAWING NO	AS1861-SF01		
PART NAME	Transmission Set : Assembling		
PART NO	1000414106		A
APPROVE	ALEX	DATE	06.25.2018



DRAWING NO	AS1861-SF02		
PART NAME	Console Set ; Assembling		
PART NO	1000414107	REV	A
APPROVE	ALEX	DATE	06.21.2018



DRAWING NO	AS1861-SF03		
PART NAME	Power Switch Set : Assembling		
PART NO	1000417259	REV	A
APPROVE	ALEX	DATE	06.25.2018



DRAWING NO	AS1861-SF04		
PART NAME	RFID SET;ASSEMBLING		
PART NO	1000419076 B		
APPROVE	A SHUN	DATE	07.26.2019

