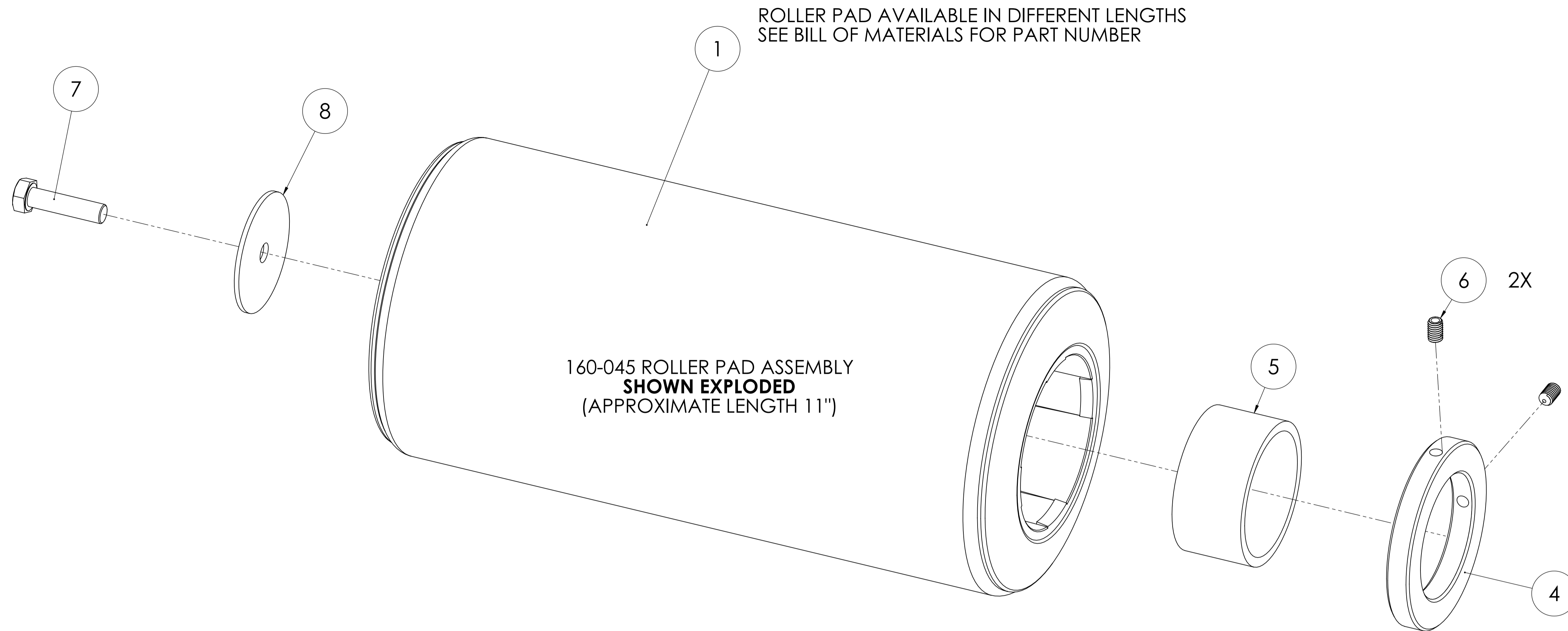


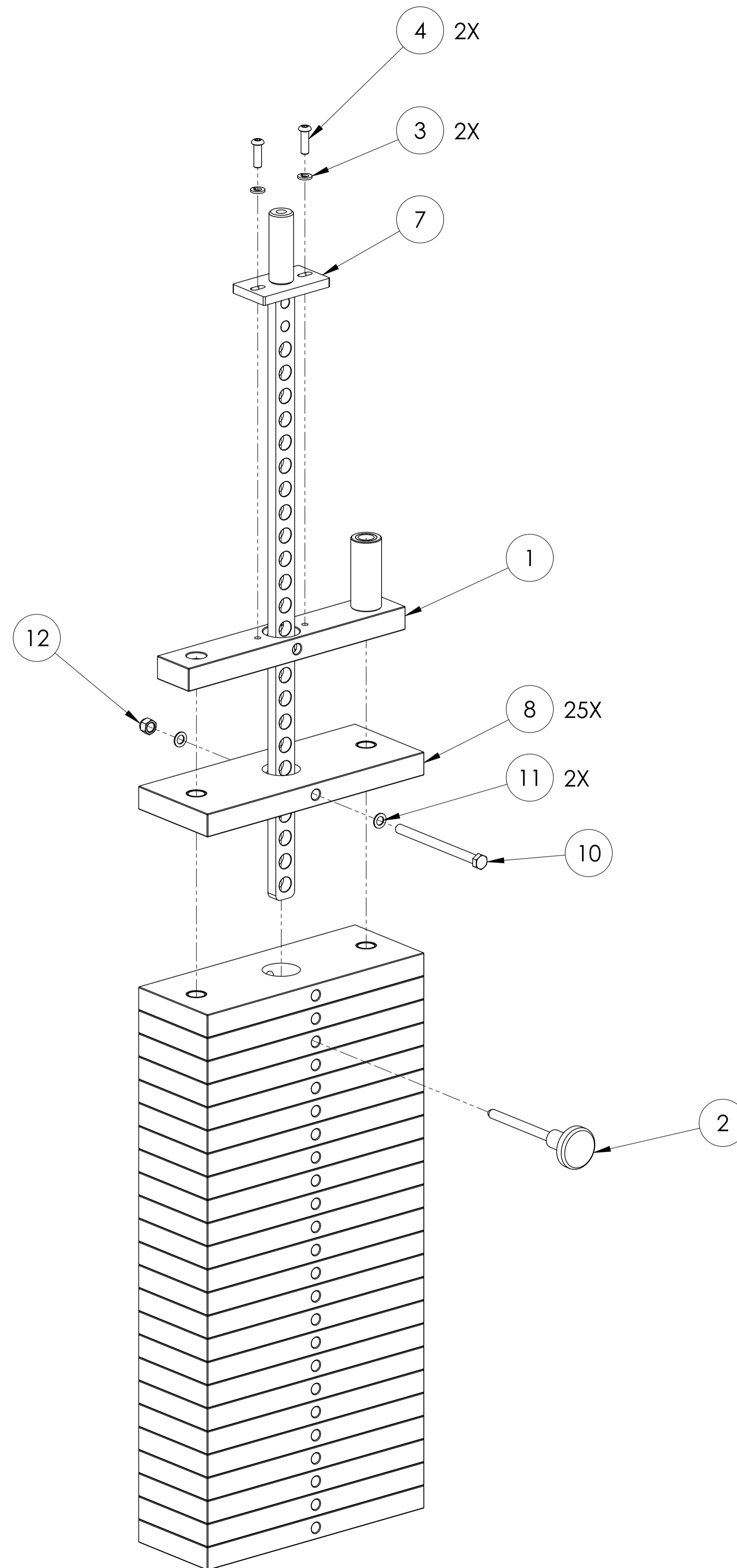
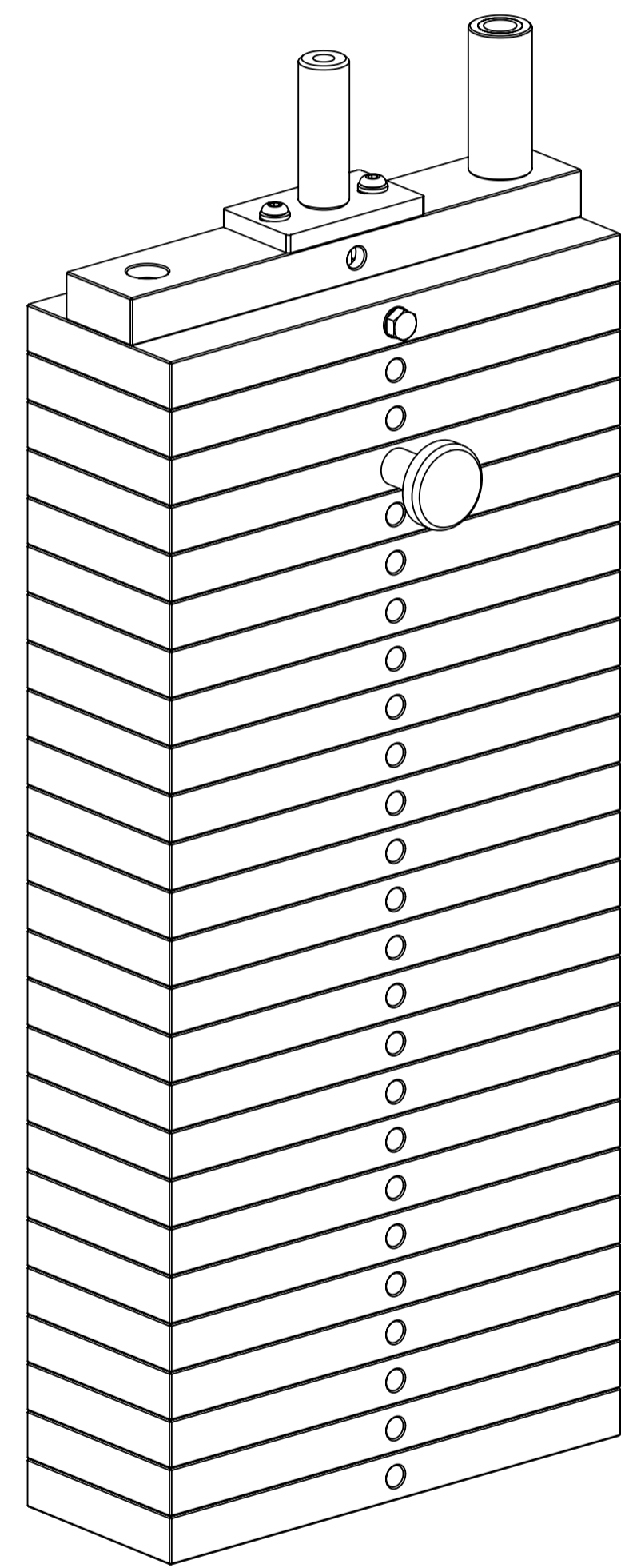
MATRIX

DWG NO.		MG-S21-02 SERVICE	
DESCRIPTION:		LAT PULLDOWN (Rack Options)	
DRAWN BY:	LG	DATE:	2019.SEP.23
UPDATED BY:	--	DATE:	--



MATRIX

DWG NO.		
160-044 & 160-045 SERVICE		
DESCRIPTION:		
(Matrix Fitness)		
DRAWN BY:	LMB	DATE: 2013.MAY.06
UPDATED BY:	L.M.B.	DATE: 2015.FEB.11



MATRIX

DWG NO. 161-172 SERVICE

DESCRIPTION: WEIGHT STACK;12# 25 CR3

DRAWN BY: LG DATE: 2019.SEP.24

UPDATED BY: -- DATE: --