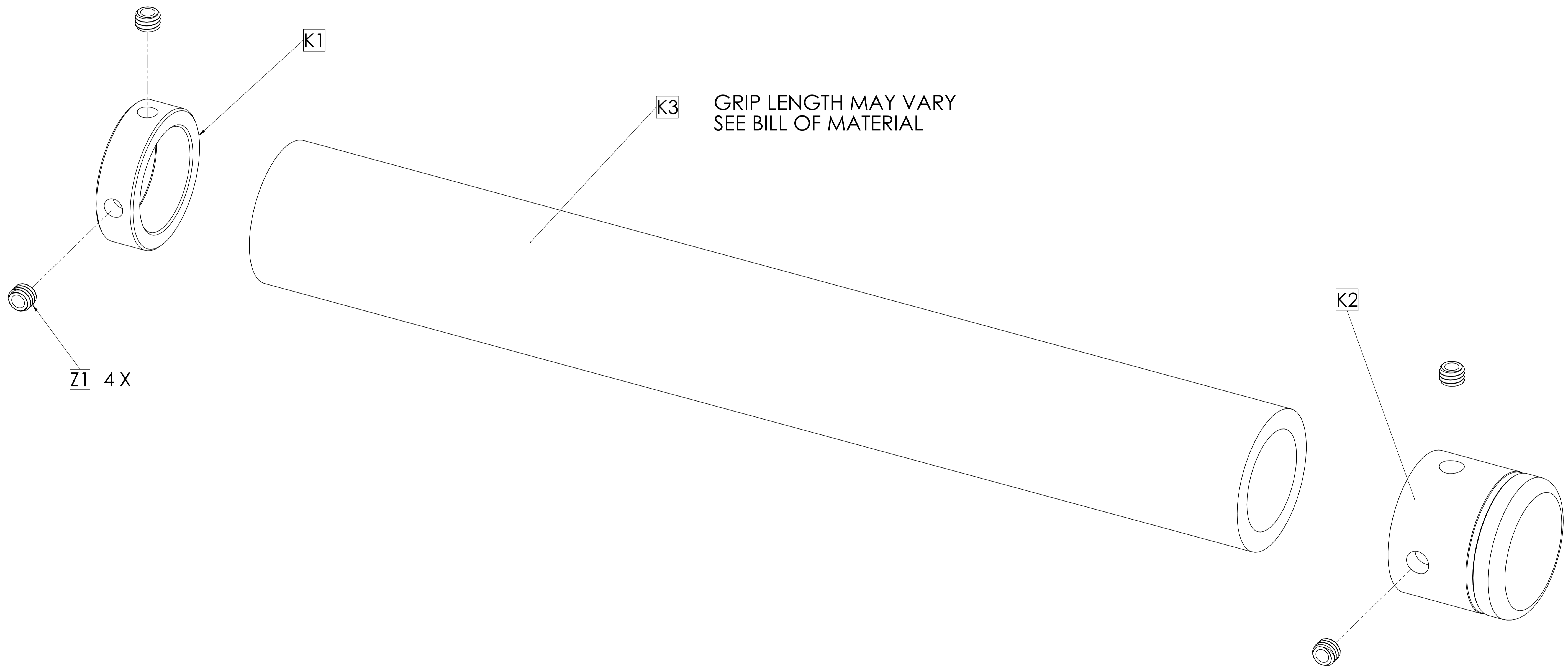


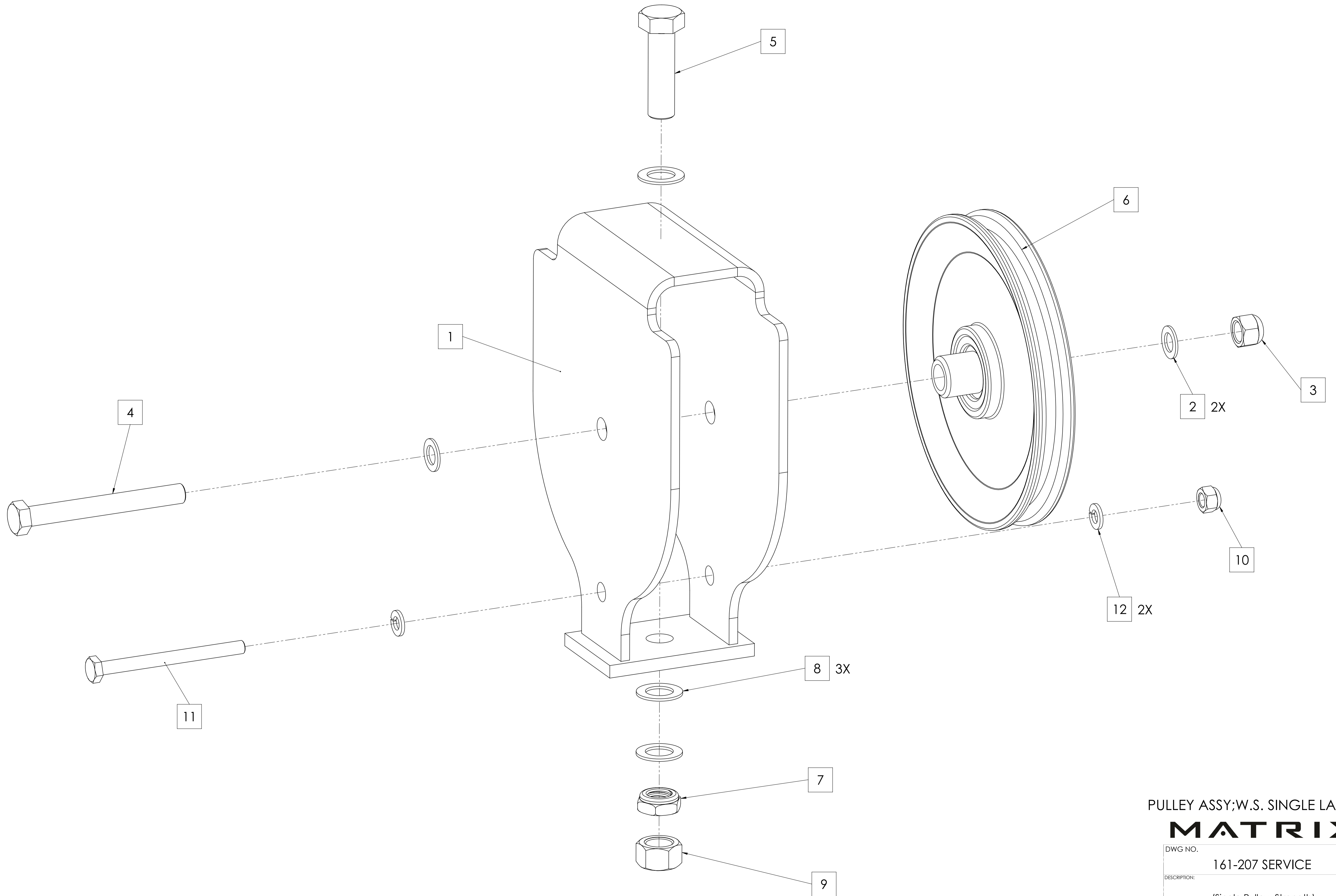
**MATRIX**

DWG NO.		MG-S23-02 SERVICE	
DESCRIPTION:		ADJUSTABLE PULLEY ( Rack Options)	
DRAWN BY:	LMB	DATE:	2019.MAY.15
UPDATED BY:	LG	DATE:	2019.SEP.25



# MATRIX

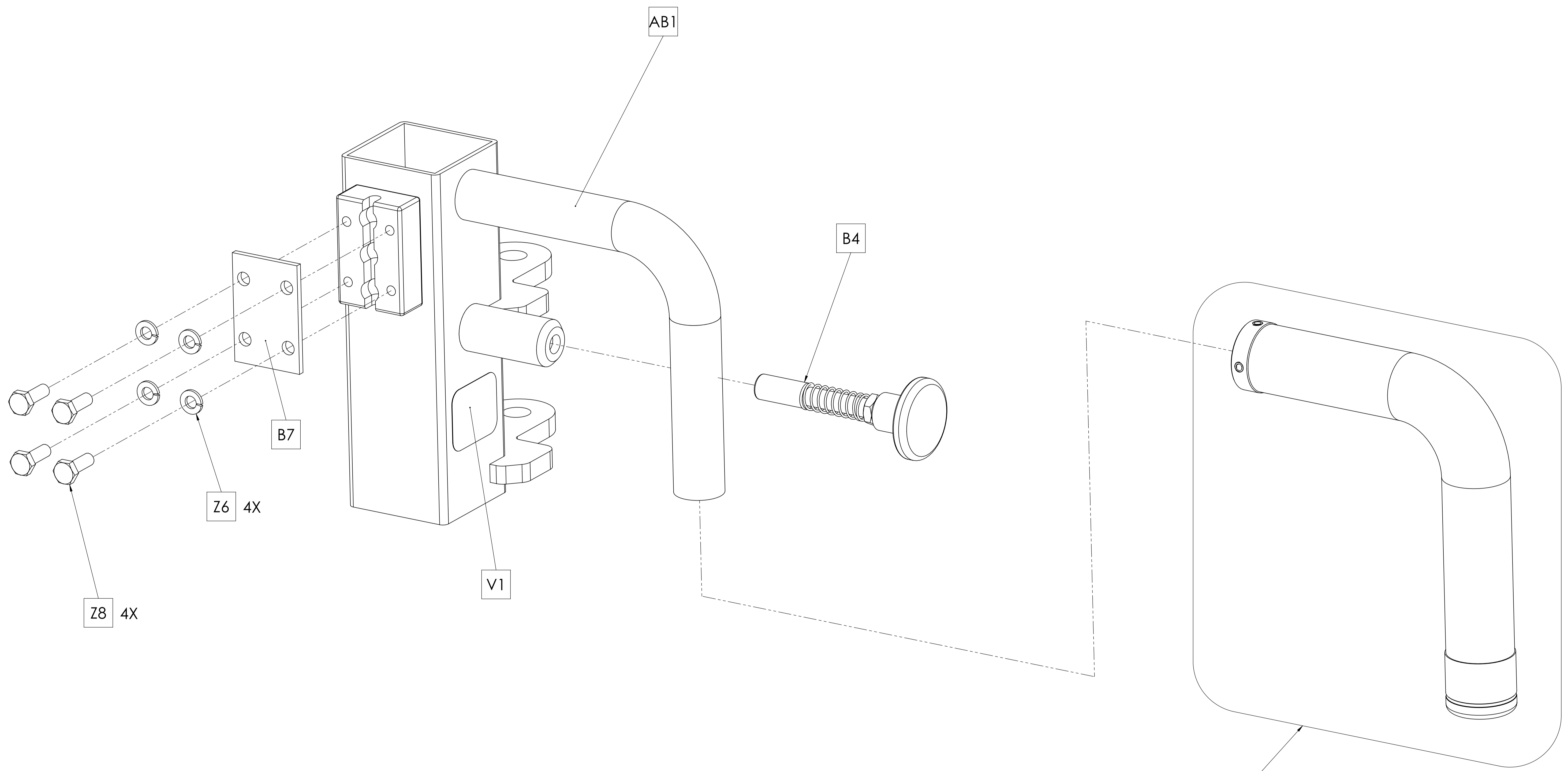
DWG NO:		160-056,160-057,160-058,160-059	
DESCRIPTION:		SERVICE	
		HAND GRIP	
		(RUBBER GRIP TUBE)	
DRAWN BY:	LMB	DATE:	2013.OCT.07
UPDATED BY:	LMB	DATE:	2015.JUN.05



PULLEY ASSY;W.S. SINGLE LARGE

**MATRIX**

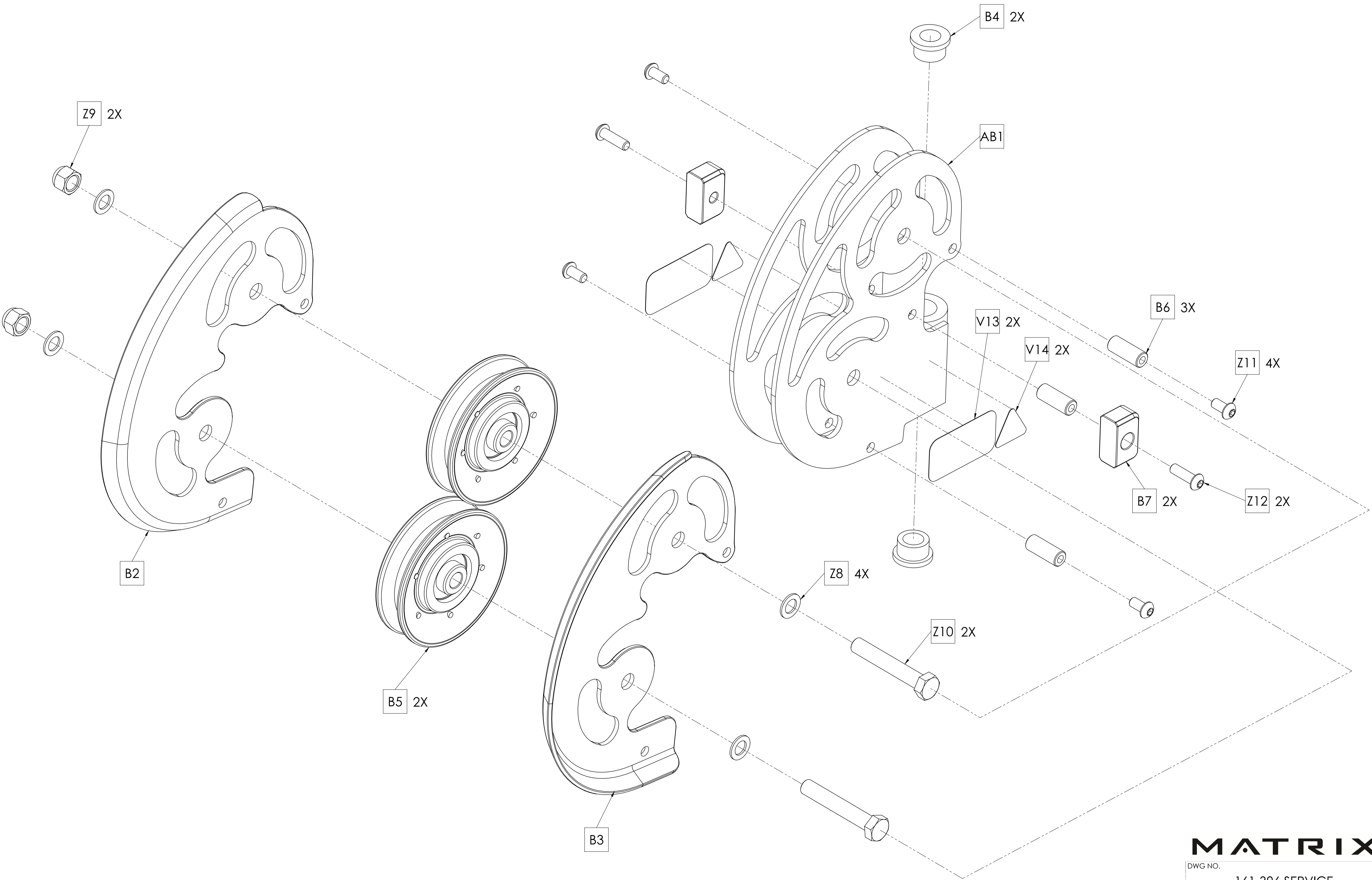
DWG NO.		161-207 SERVICE	
DESCRIPTION:			
(Single Pulley- Strength)			
DRAWN BY:	LMB	DATE:	2017.JAN.17
UPDATED BY:	--	DATE:	--



SEE HAND GRIP SHEET

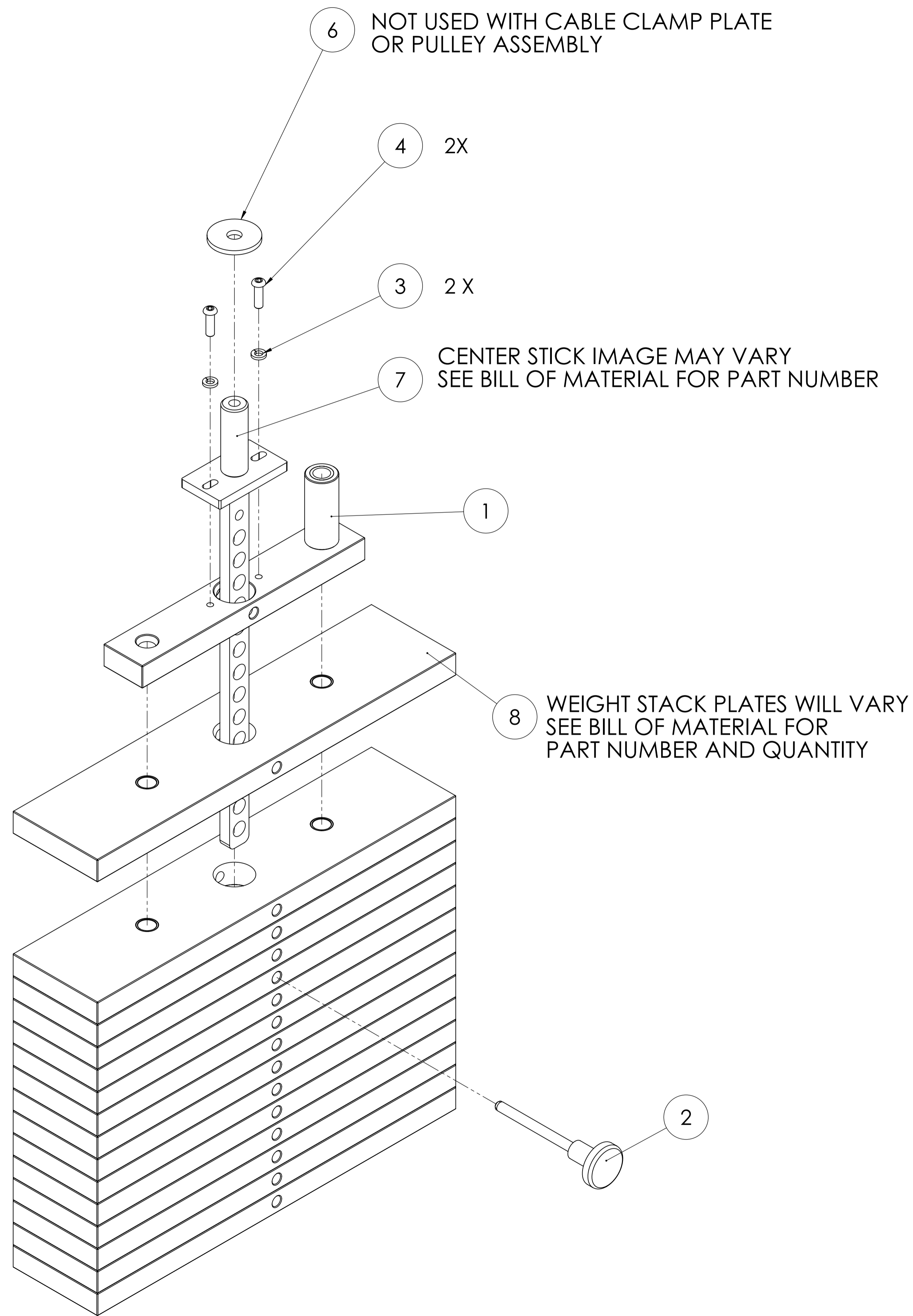
# MATRIX

DWG NO.	161-246 SERVICE		
DESCRIPTION:	SLIDE ASSEMBLY;S23 (RACKS & STACKS)		
DRAWN BY:	LMB	DATE:	2019.MAY.20
UPDATED BY:	LG	DATE:	2019.SEP.26

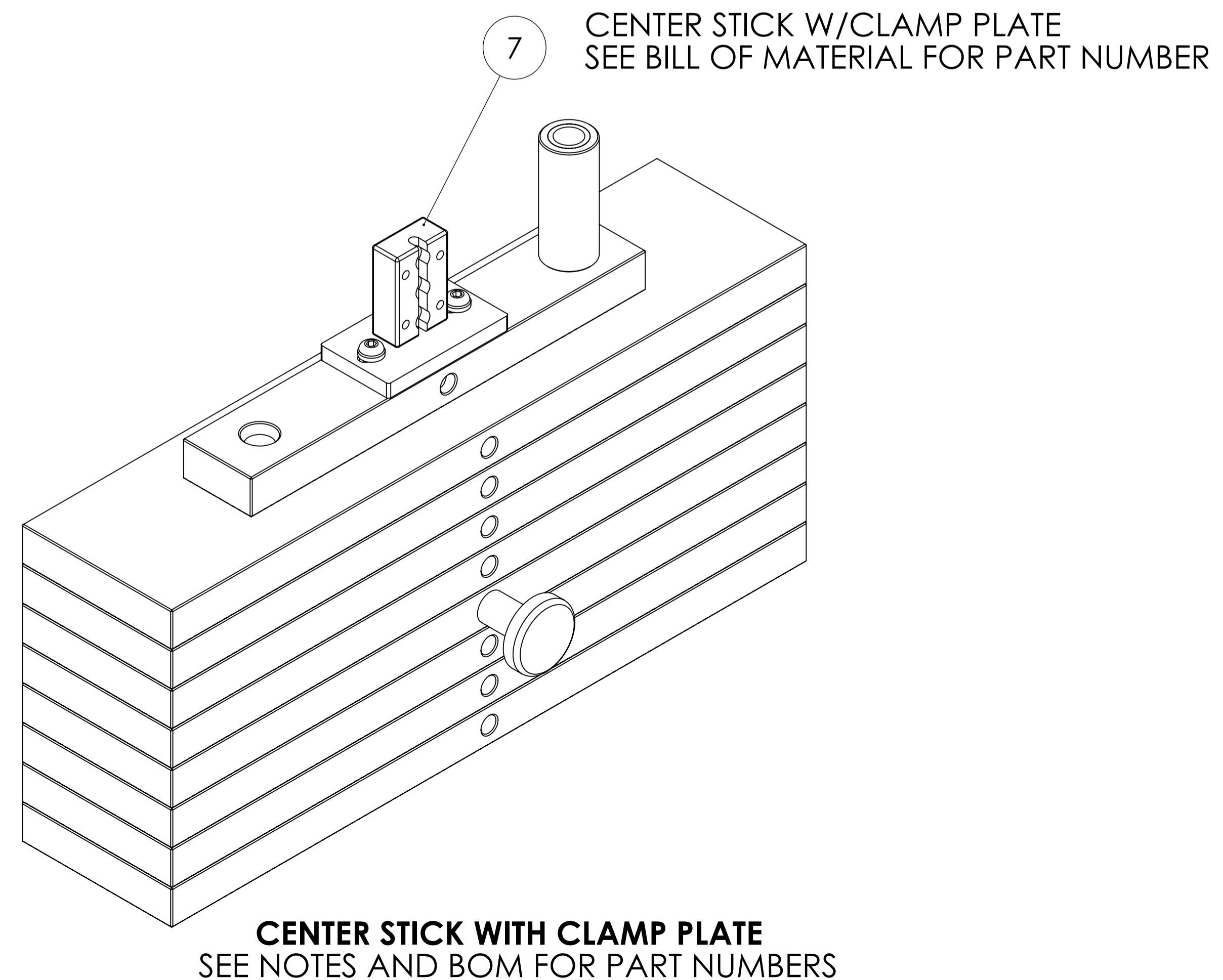
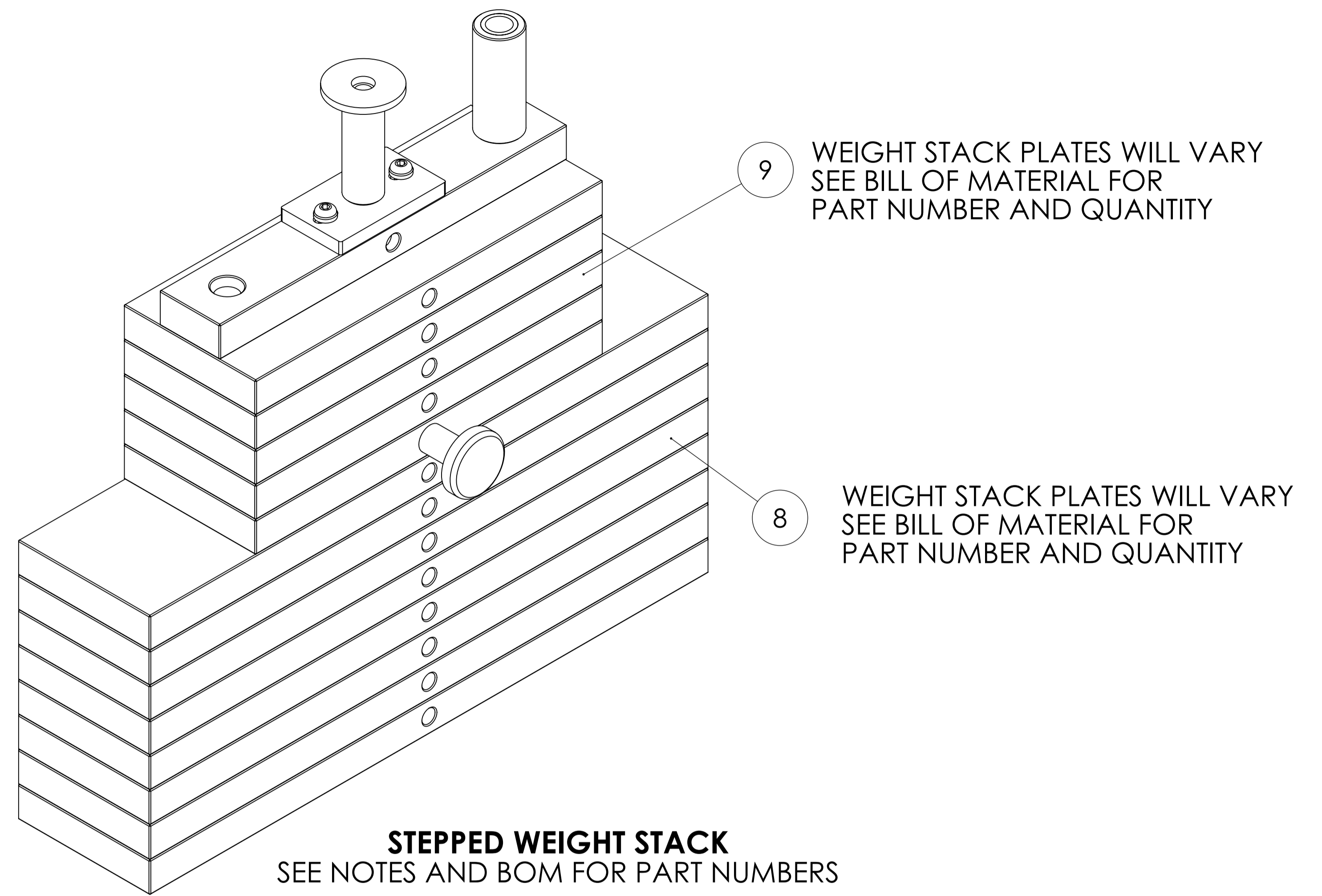


**MATRIX**

DWG NO.		161-396 SERVICE	
DESCRIPTION:		HIGH-LOW PULLEY (RACKS & STACKS)	
DRAWN BY:	LMB	DATE:	2019.MAY.20
UPDATED BY:	LG	DATE:	2019.SEP.26



**CENTER STICK WITH MOUNTING POST  
CABLE MOUNTED WITH TAKE UP BOLT OR PULLEY  
(SHOWN EXPLODED)  
SEE NOTES AND BOM FOR PART NUMBERS**



**MATRIX**

DWG NO.		_WEIGHT STACK SERVICE	
DESCRIPTION: WEIGHT STACK/CENTERSTICK ASSY (Take Up Bolt, Pulley & Clamp Style)			
DRAWN BY:	LMB	DATE:	2013.OCT.10
UPDATED BY:	LMB	DATE:	2017.DEC.29