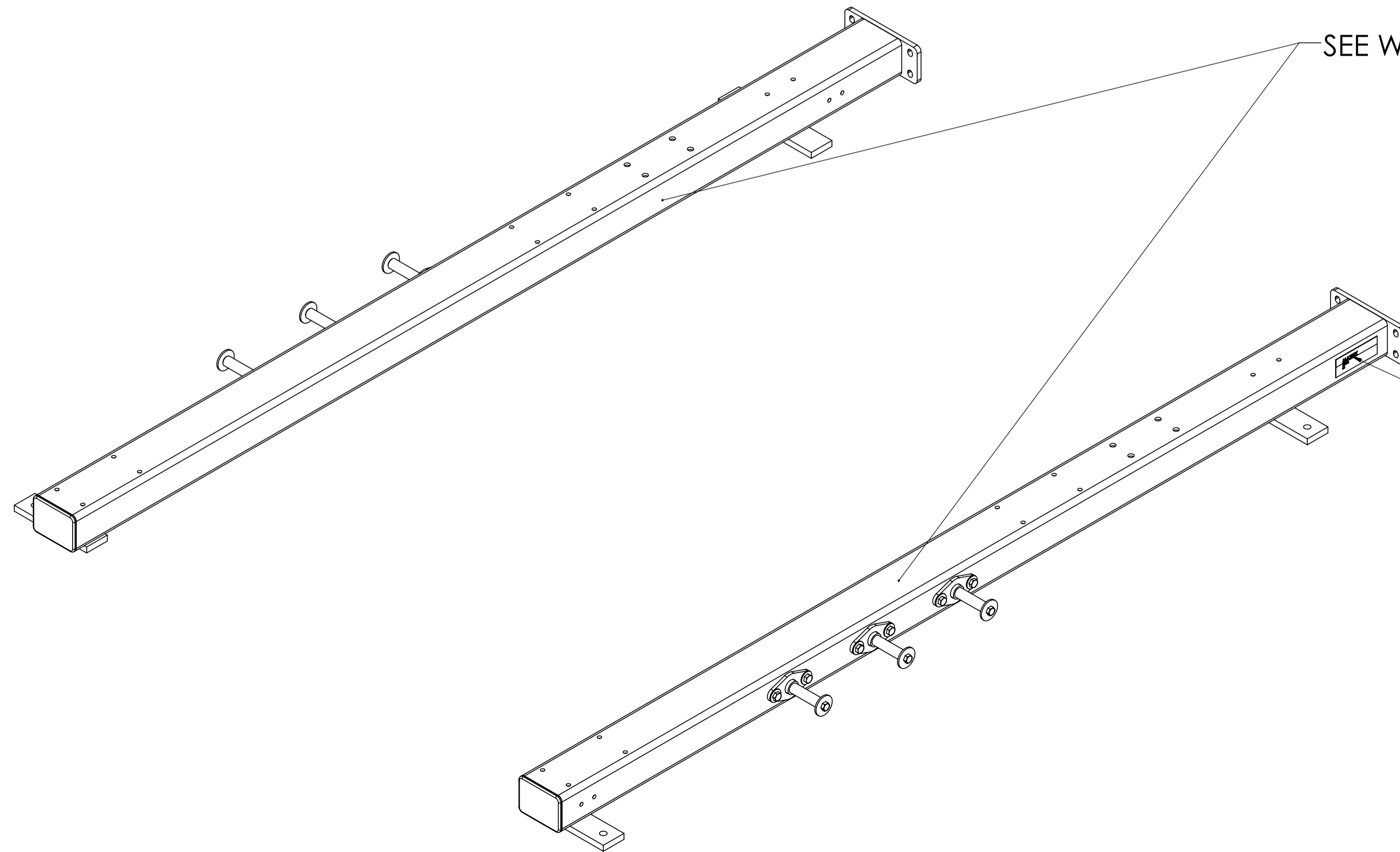


SEE WEIGHT STACK TOP SHEET

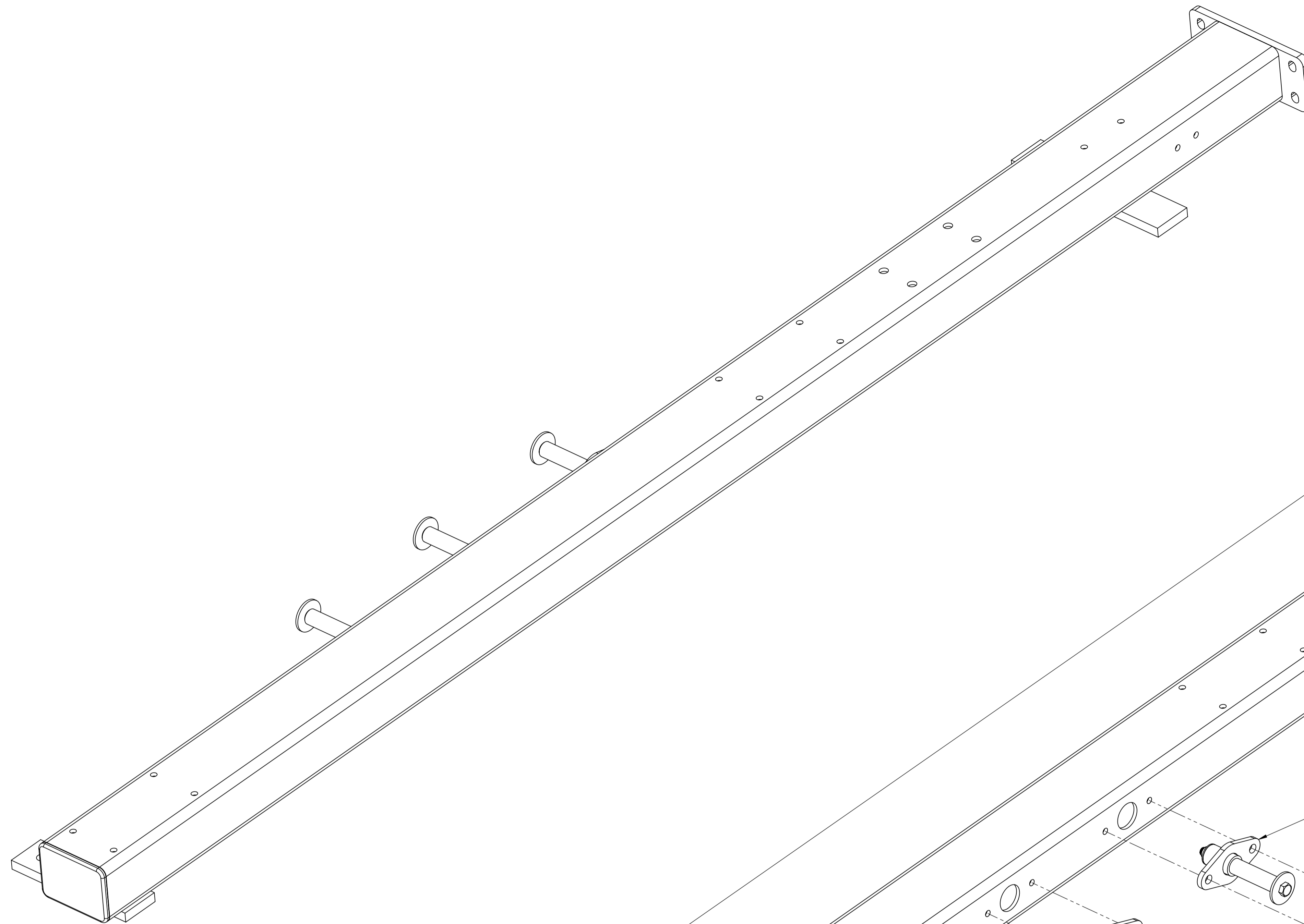


SEE WEIGHT STACK BASE SHEET

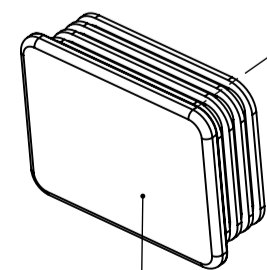
V5

**MATRIX**

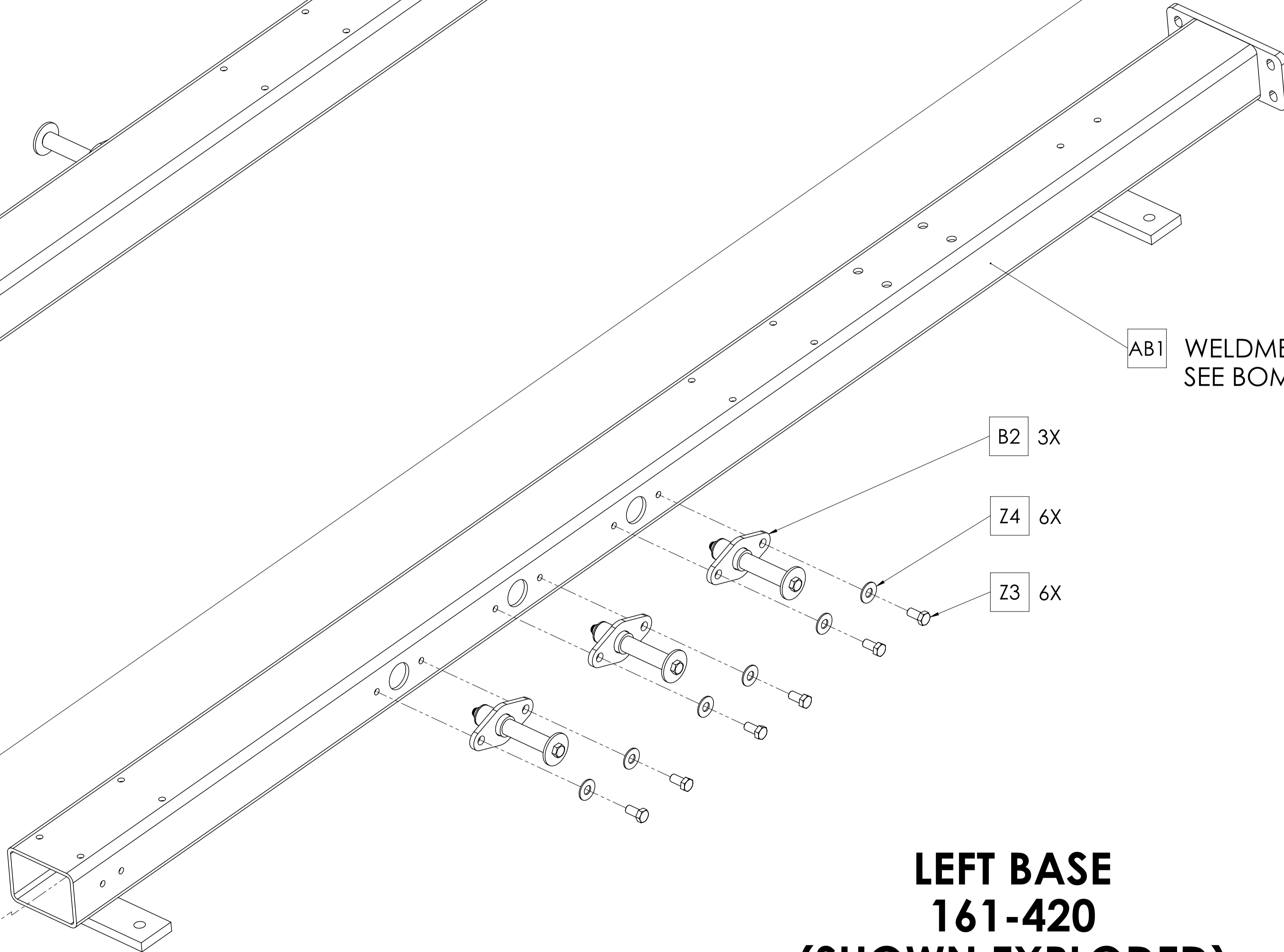
DWG NO.	
MG-MOPT-R47-02 SERVICE	
DESCRIPTION: CONNECTION KIT FLANGE; MR47 (RACKS & STACKS)	
DRAWN BY: LynnBelanger	DATE: 2019.MAY.16
UPDATED BY: LG	DATE: 2019.OCT.03



**RIGHT BASE  
161-419**



B5



**LEFT BASE  
161-420  
(SHOWN EXPLODED)**

AB1 WELDMENT IMAGE MAY VARY  
SEE BOM FOR PART NUMBER

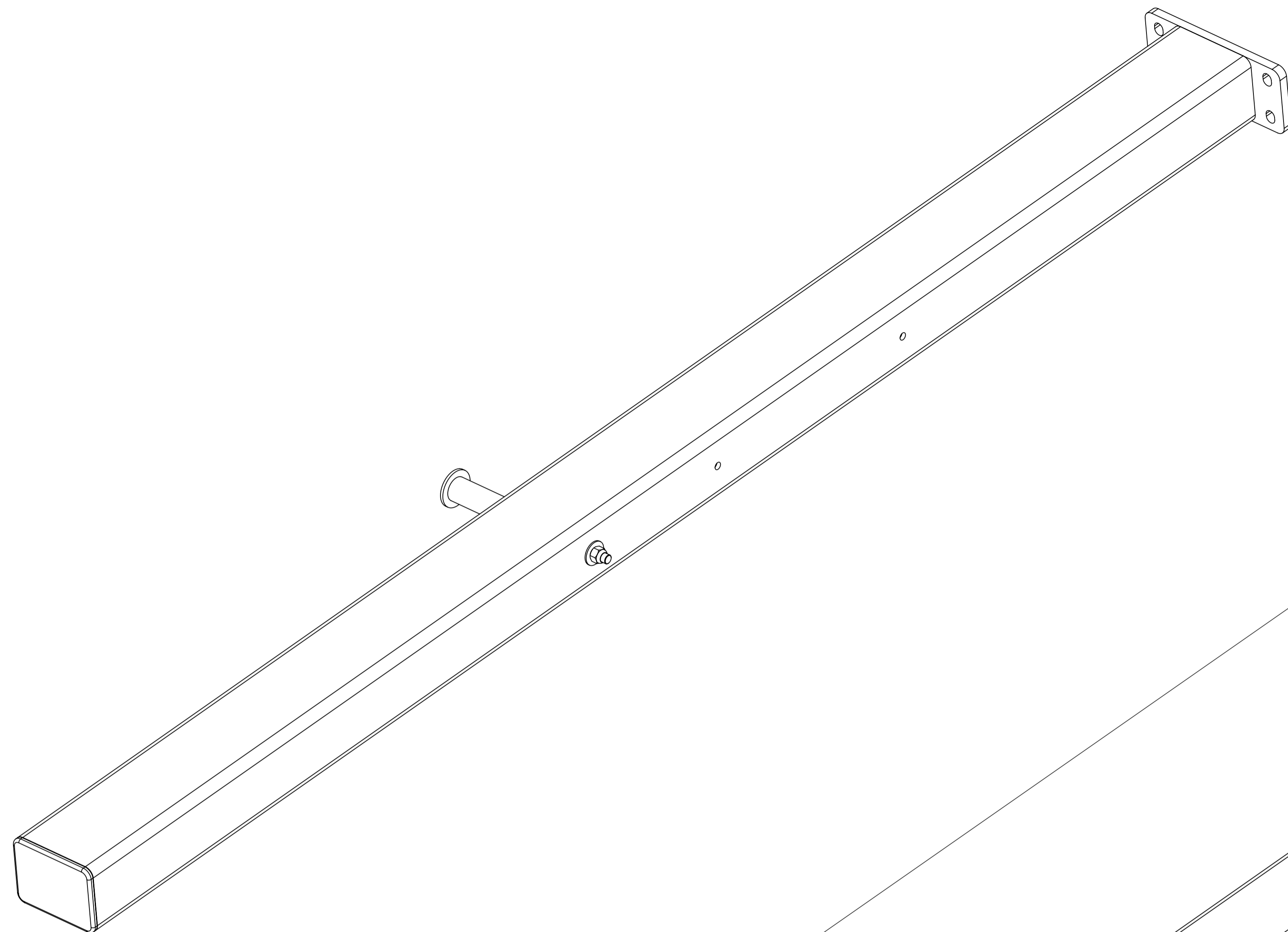
B2 3X

Z4 6X

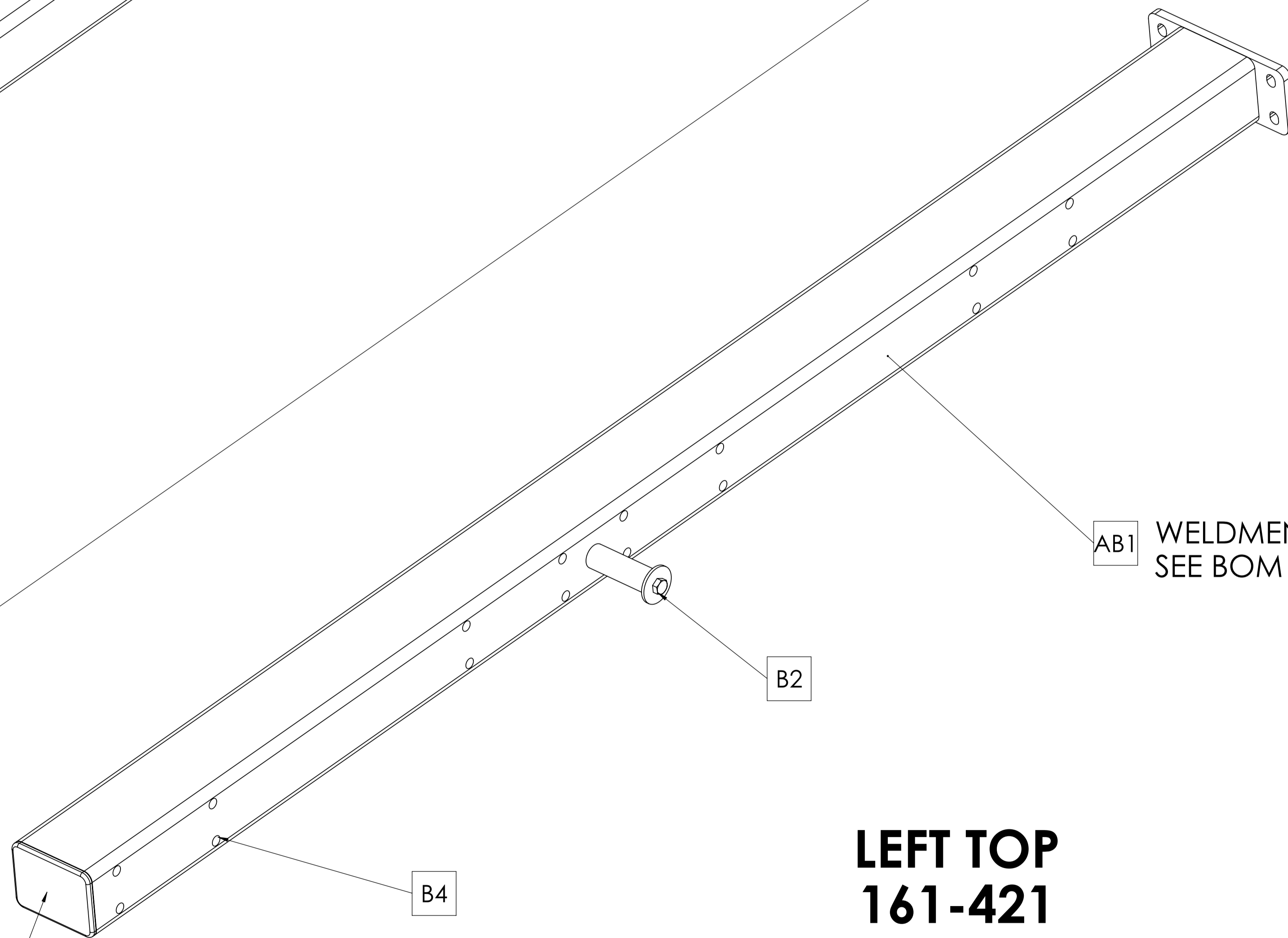
Z3 6X

**MATRIX**

DWG NO.		161-419 & 161-420 SERVICE	
DESCRIPTION:		BASE ASSEMBLY; WEIGHT STACK (RACKS & STACKS)	
DRAWN BY:	LMB	DATE:	2019.MAY.20
UPDATED BY:	--	DATE:	--



**RIGHT TOP  
161-422**



**LEFT TOP  
161-421**

AB1 WELDMENT IMAGE MAY VARY  
SEE BOM FOR PART NUMBER

**MATRIX**

DWG NO.		
161-421 & 161-422 SERVICE		
DESCRIPTION: TOP ASSEMBLY; WEIGHT STACKS (RACKS & STACKS)		
DRAWN BY:	LMB	DATE: 2019.MAY.20
UPDATED BY:	LG	DATE: 2019.OCT.03