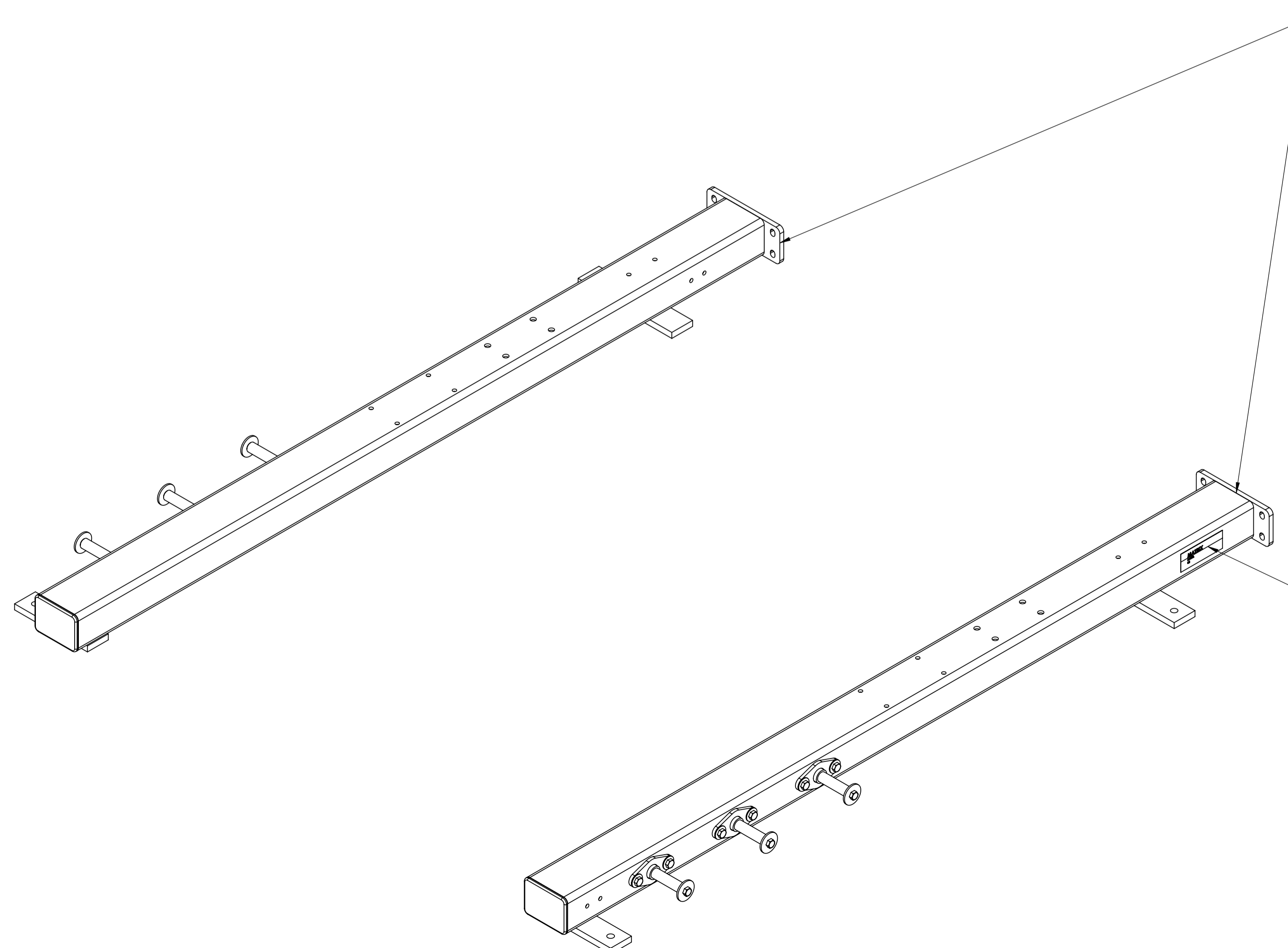


SEE WEIGHT STACK TOP ASSEMBLY SHEET

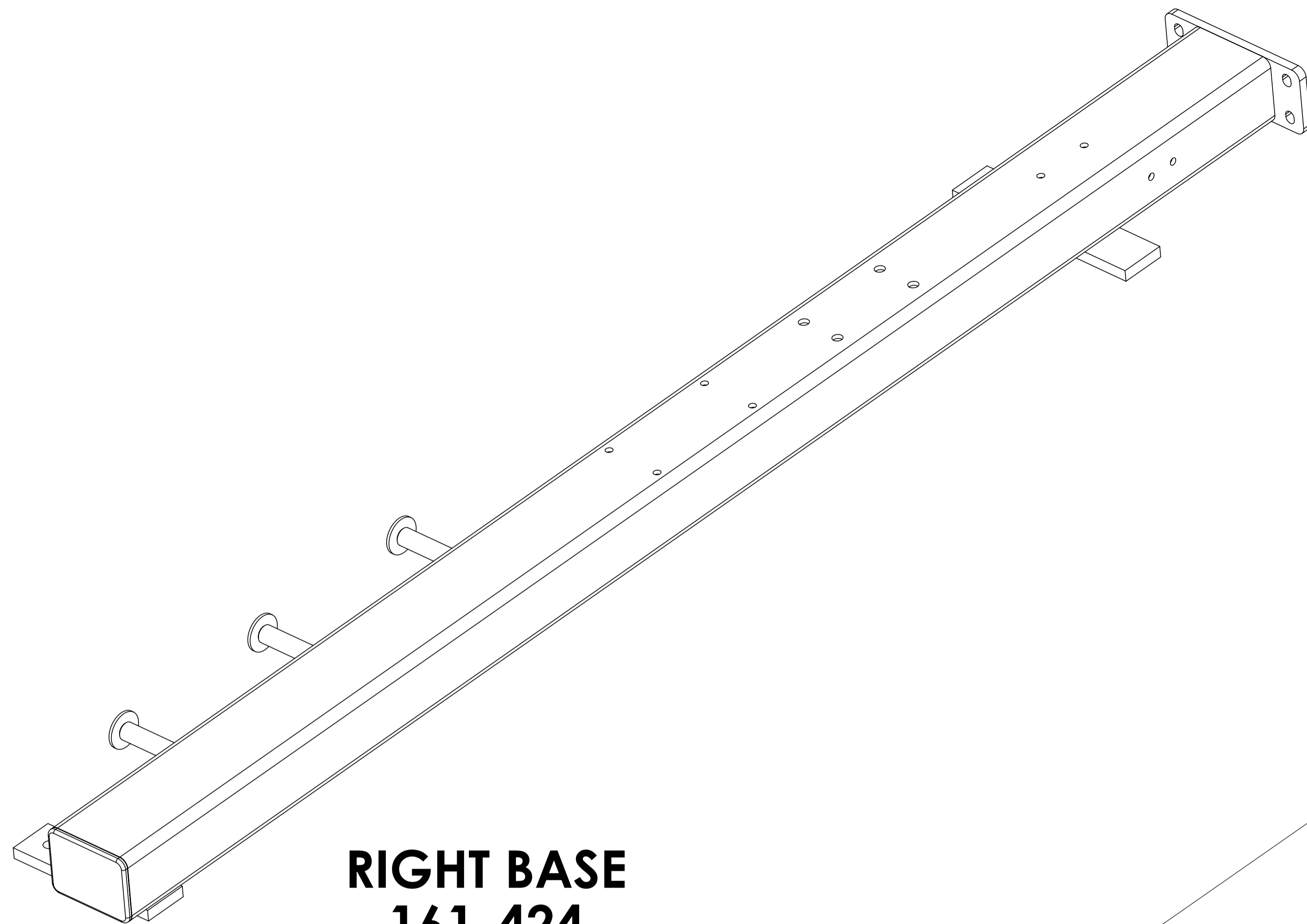


SEE WEIGHT STACK BASE ASSEMBLY SHEET

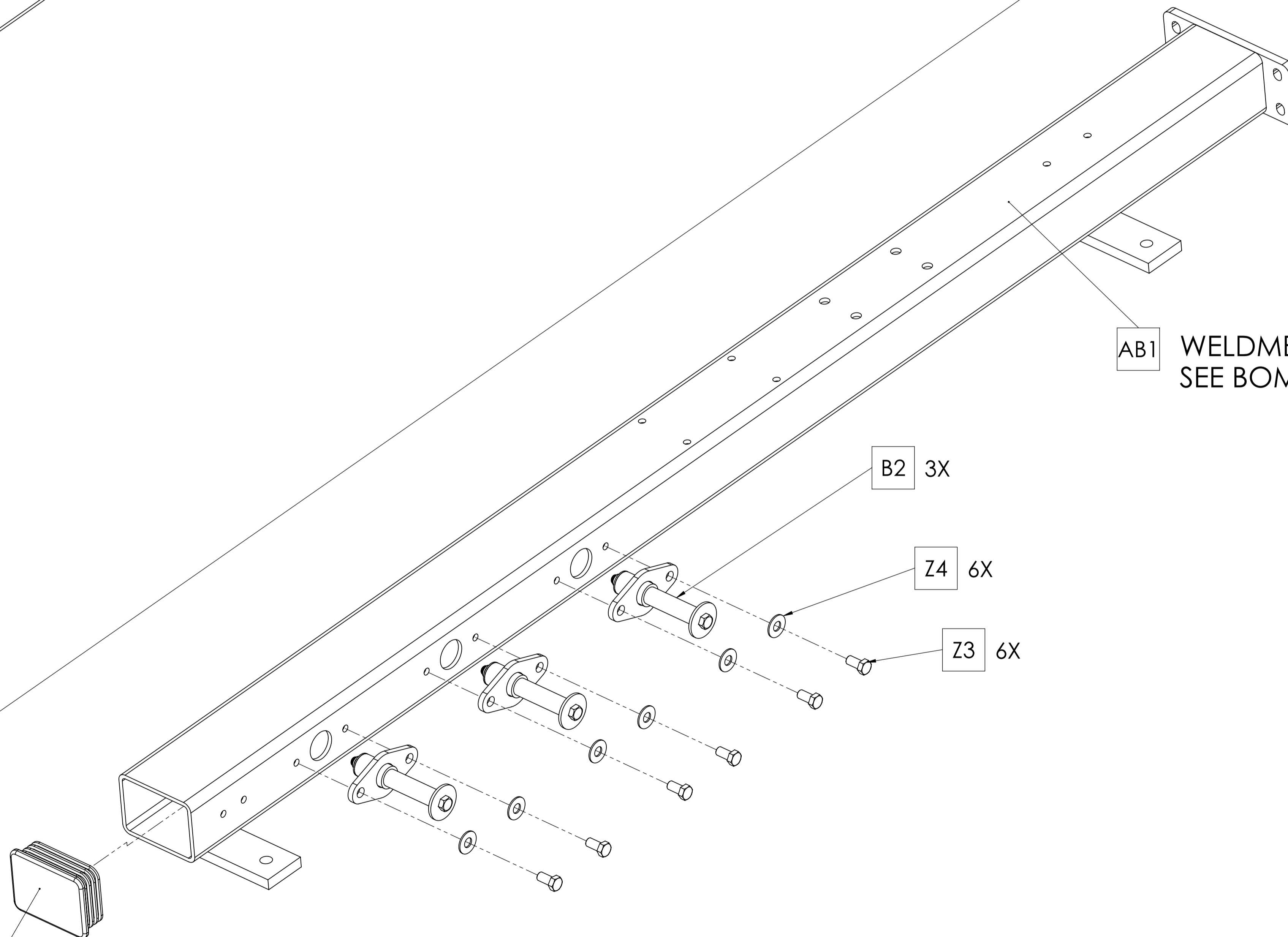
V1

MATRIX

DWG NO.		
MG-MOPT-R690-02 SERVICE		
DESCRIPTION: CONNECTION KIT; WEIGHT STACK (RACKS & STACKS)		
DRAWN BY:	LMB	DATE: 2019.MAY.14
UPDATED BY:	LG	DATE: 2019.OCT.03



**RIGHT BASE
161-424**



AB1 WELDMENT IMAGE MAY VARY
SEE BOM FOR PART NUMBER

B2 3X

Z4 6X

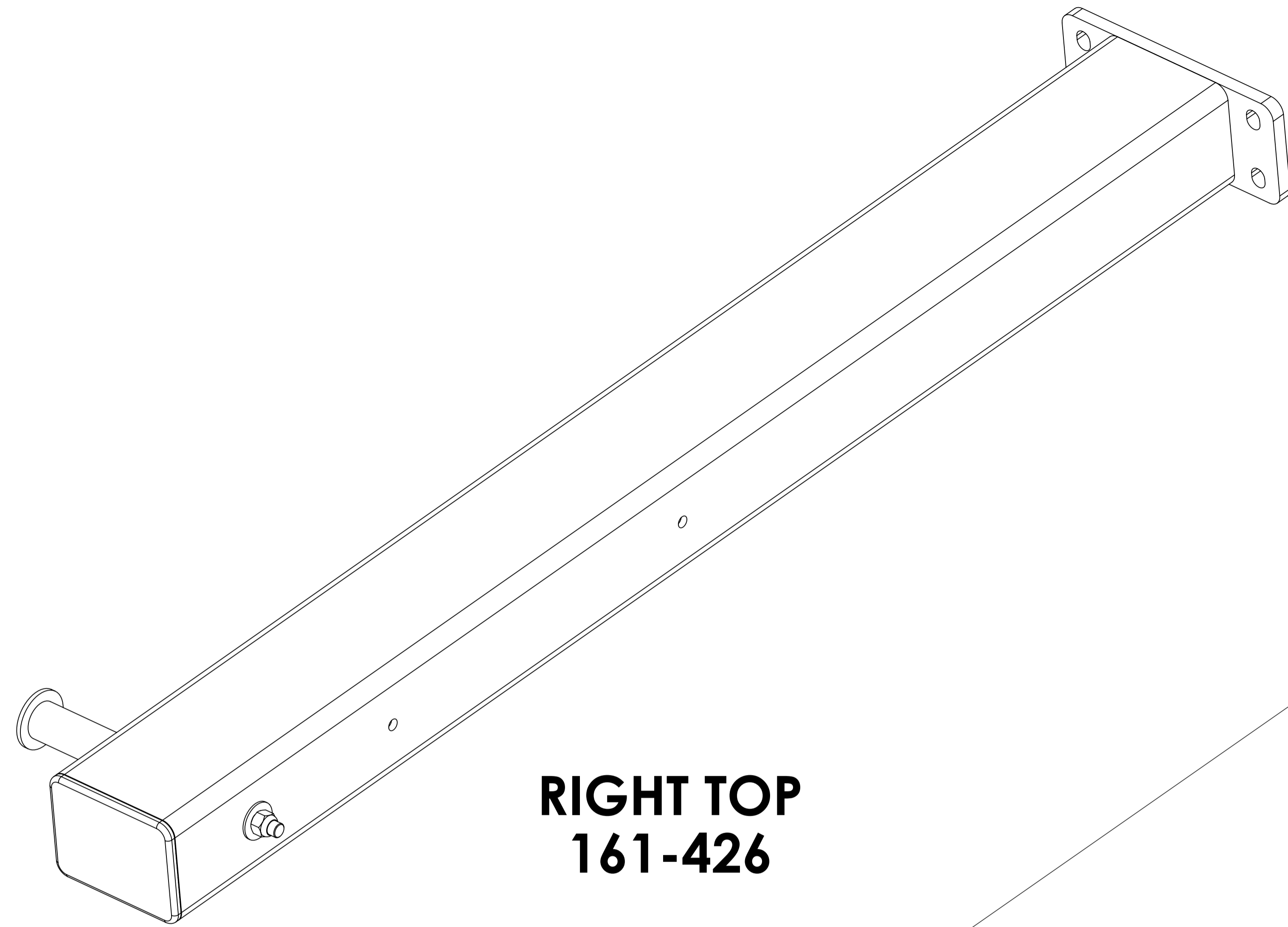
Z3 6X

B5

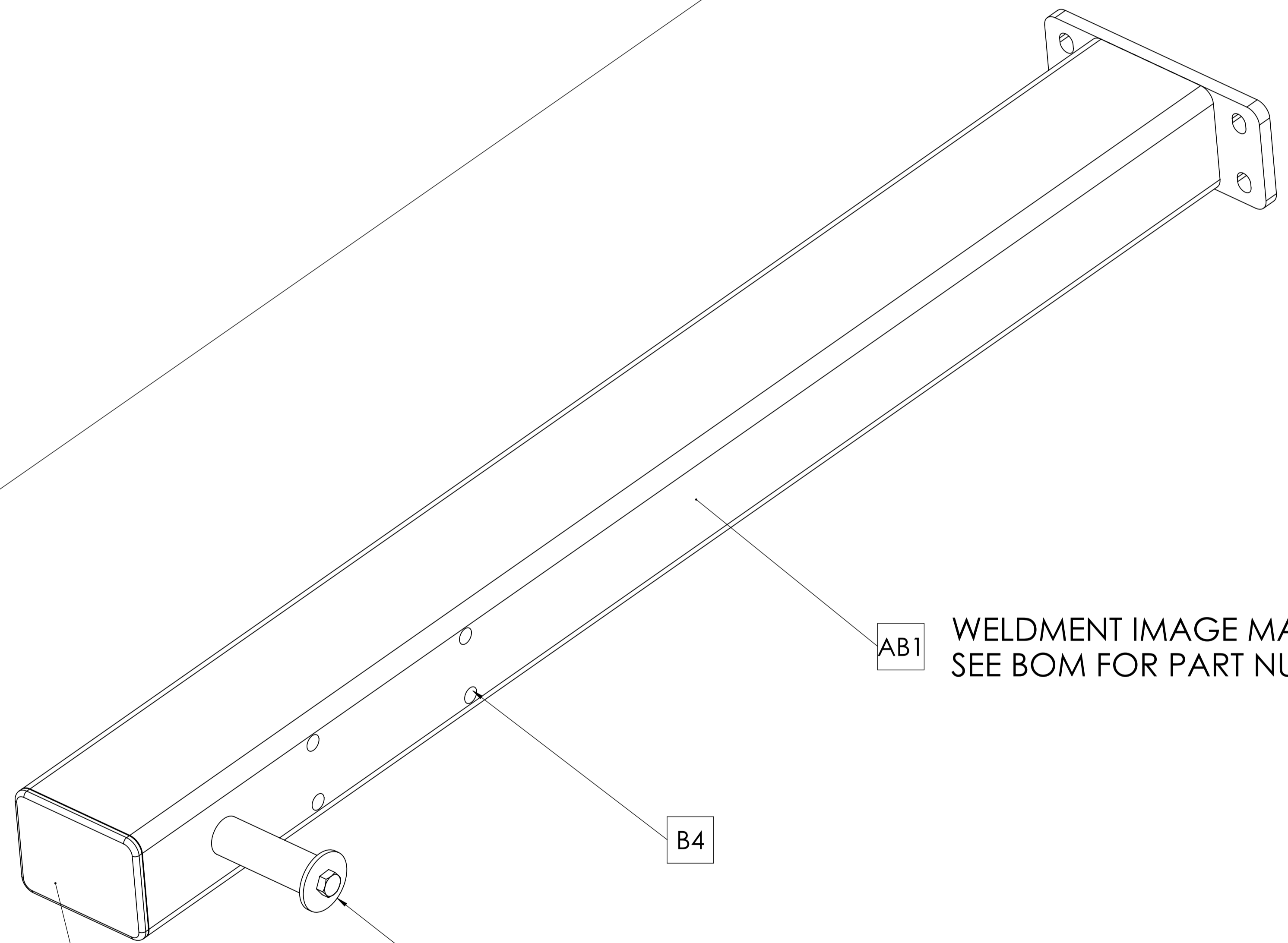
**LEFT BASE
161-423
(SHOWN EXPLODED)**

MATRIX

DWG NO.		161-423 & 161-424 SERVICE	
DESCRIPTION: MR690 BASE ASSEMBLY; WEIGHT ST (RACKS & STACKS)			
DRAWN BY:	LMB	DATE:	2019.MAY.20
UPDATED BY:	--	DATE:	--



**RIGHT TOP
161-426**



AB1 WELDMENT IMAGE MAY VARY
SEE BOM FOR PART NUMBER

**LEFT TOP
161-425**

MATRIX

DWG NO.		
161-425 & 161-426 SERVICE		
DESCRIPTION: TOP ASSEMBLY; WEIGHT STACKS (RACKS & STACKS)		
DRAWN BY:	LMB	DATE: 2019.MAY.20
UPDATED BY:	LG	DATE: 2019.OCT.03