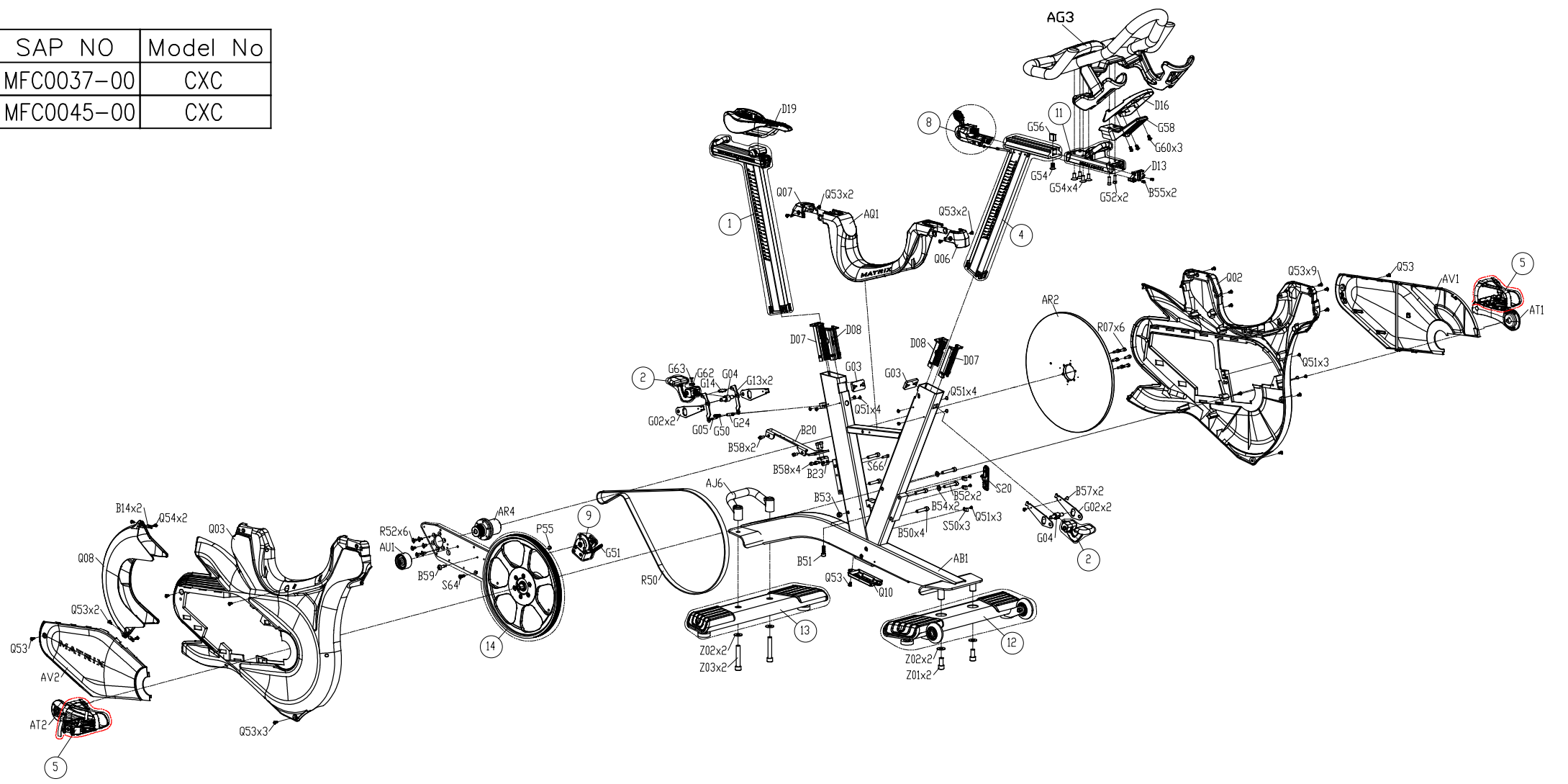
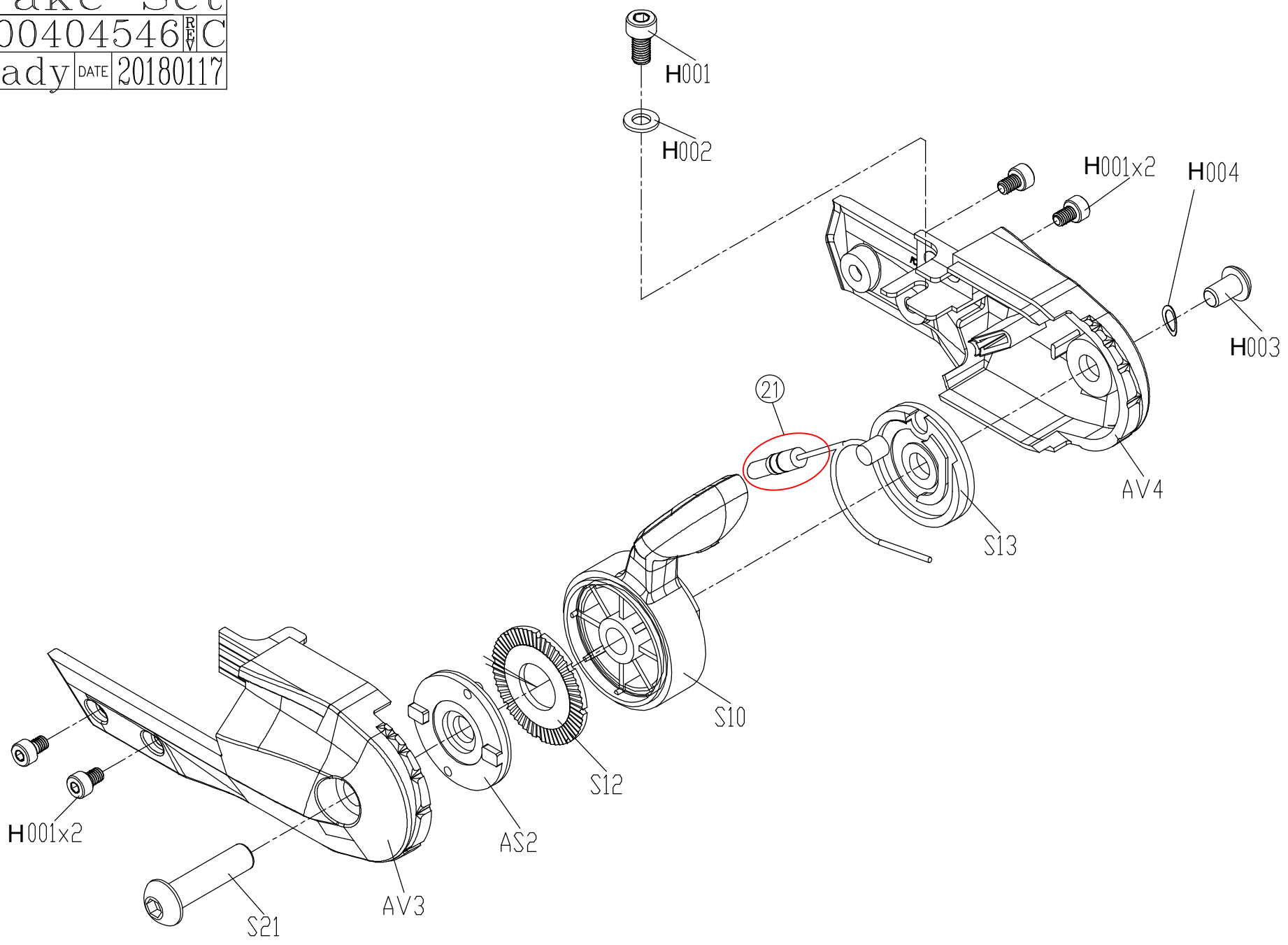



DRAWING NO	FC20-A04		
PART NAME	Exploded view;Semi-Assy		
PART NO	1000404218		
APPROVE	Benson	DATE	20180112

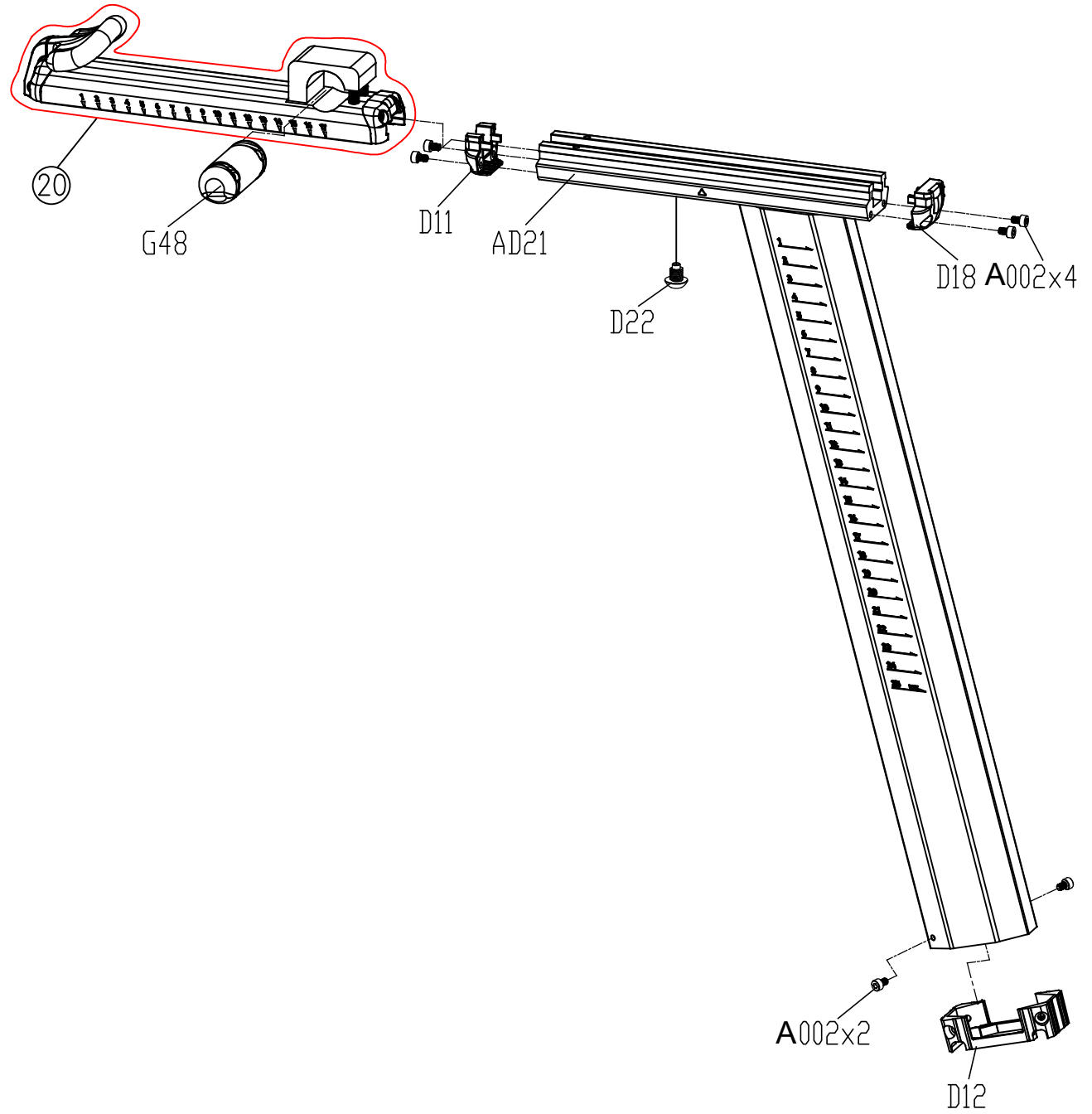
SAP NO	Model No
MFC0037-00	CXC
MFC0045-00	CXC



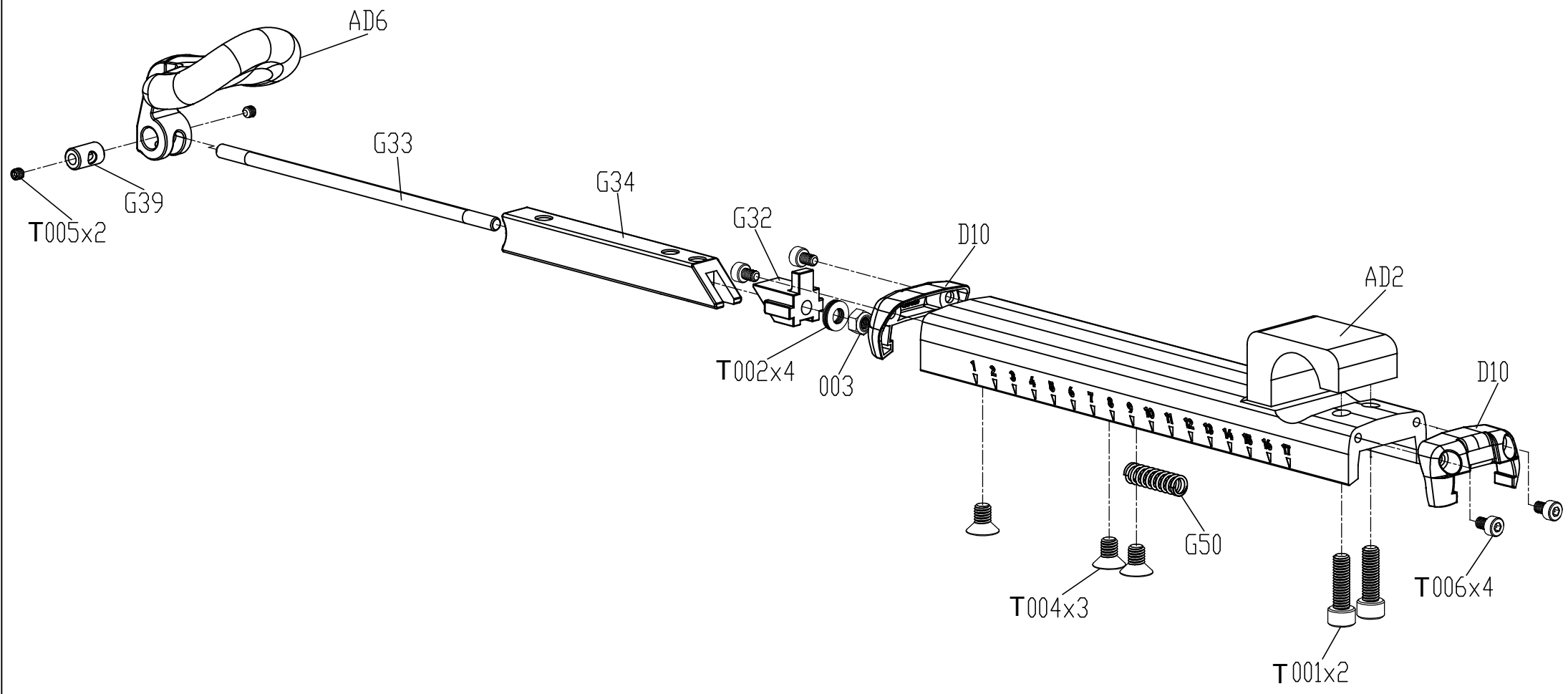
DRAWING NO	FC20-AS1		
PART NAME	Brake Set		
PART NO	1000404546	REV	C
APPROVE	Heady	DATE	20180117



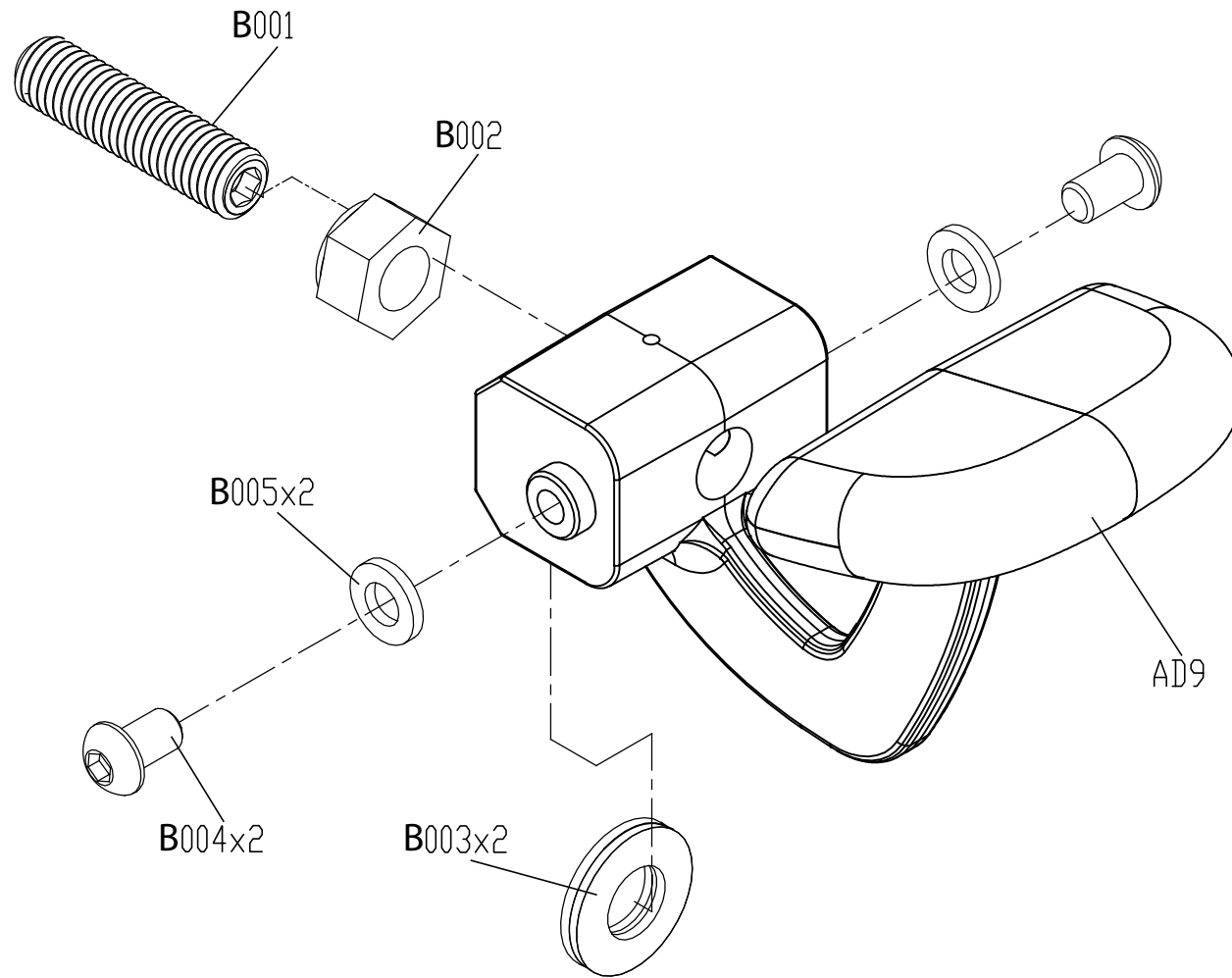
DRAWING NO	FC20-AD11		
PART NAME	Seat Post Set		
PART NO	1000404510  B		
APPROVE	Benson	DATE	20170915



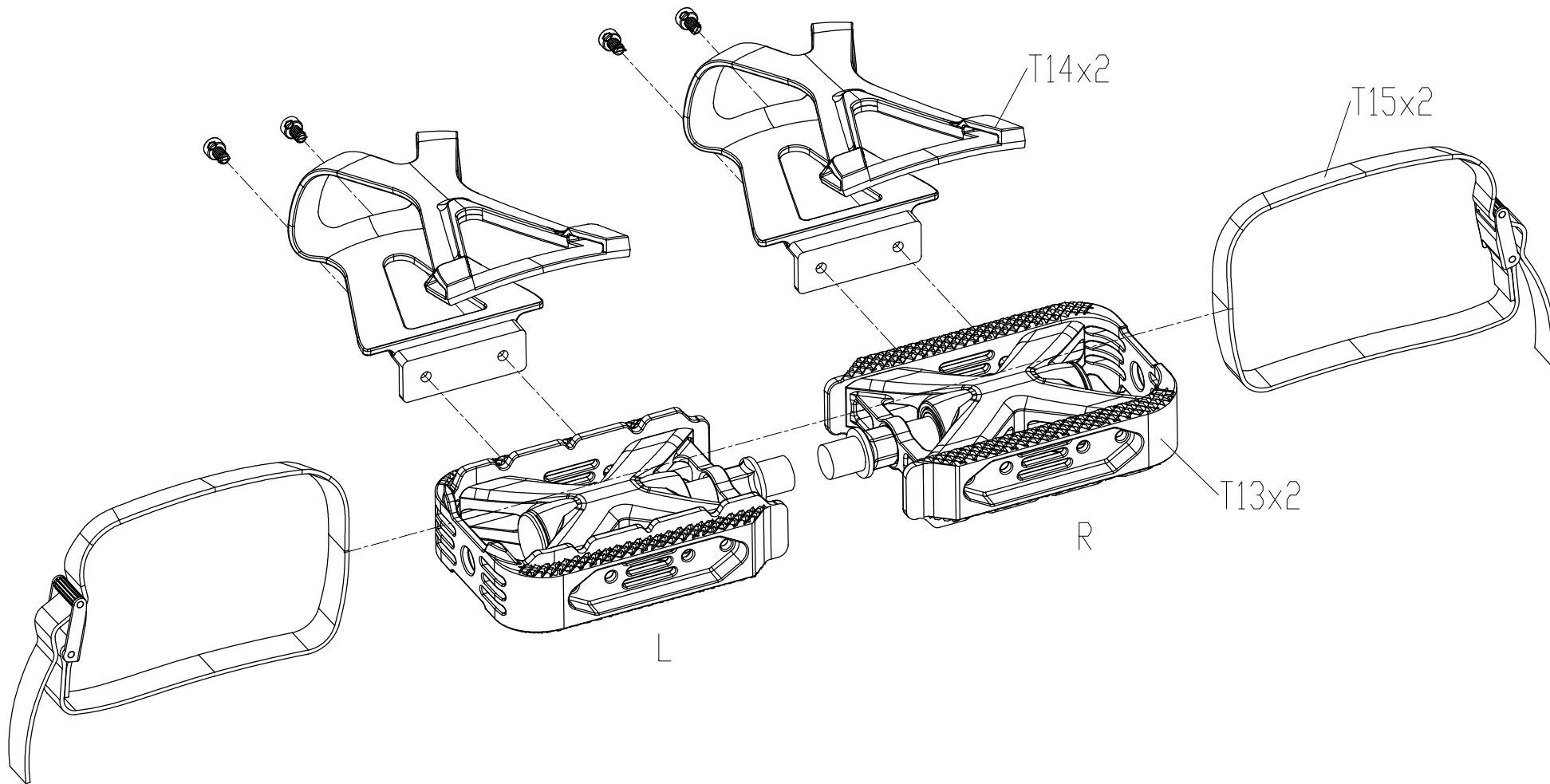
DRAWING NO	FC20-AD12		
PART NAME	Seat Pad Adjustable Set		
PART NO	1000404511 B		
APPROVE	Benson	DATE	20170915



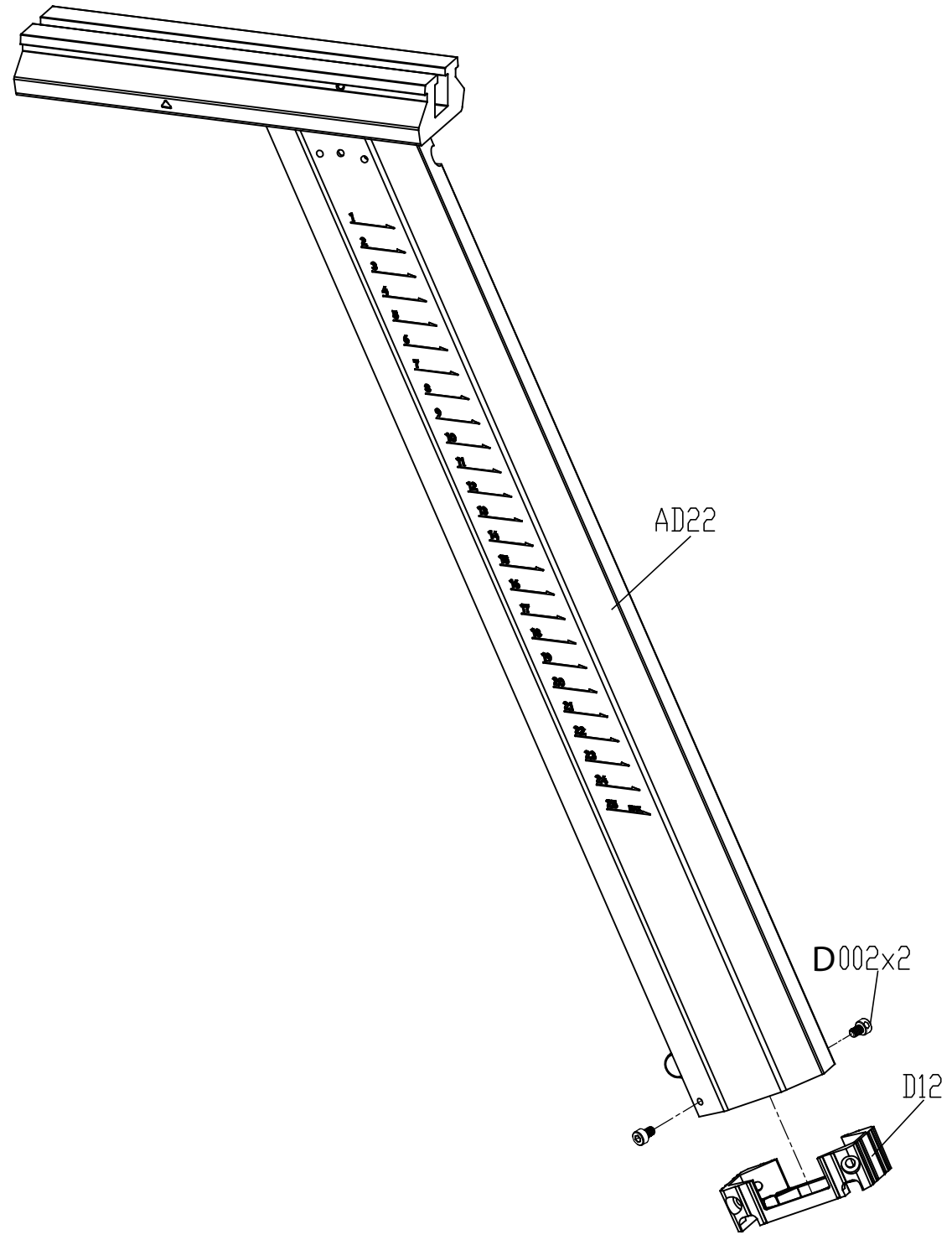
DRAWING NO	FC20-AD13		
PART NAME	Adjustable Handle Group;Cushions		
PART NO	1000404542		B
APPROVE	Benson	DATE	20170915



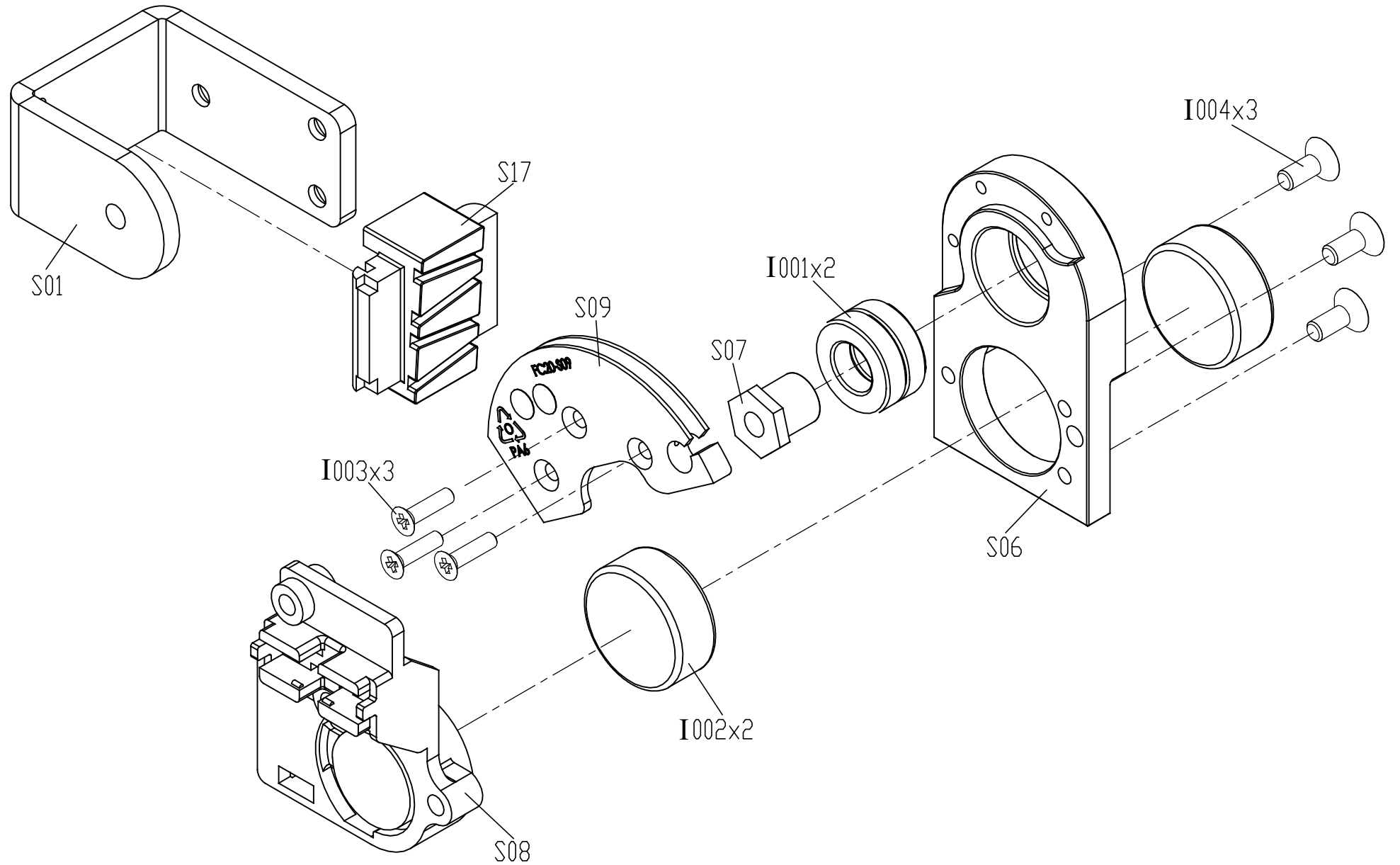
DRAWING NO	FC20-AT3		
PART NAME	Pedal set;;;;;FC20;		
PART NO	1000407040		
APPROVE	Benson	DATE	20180314



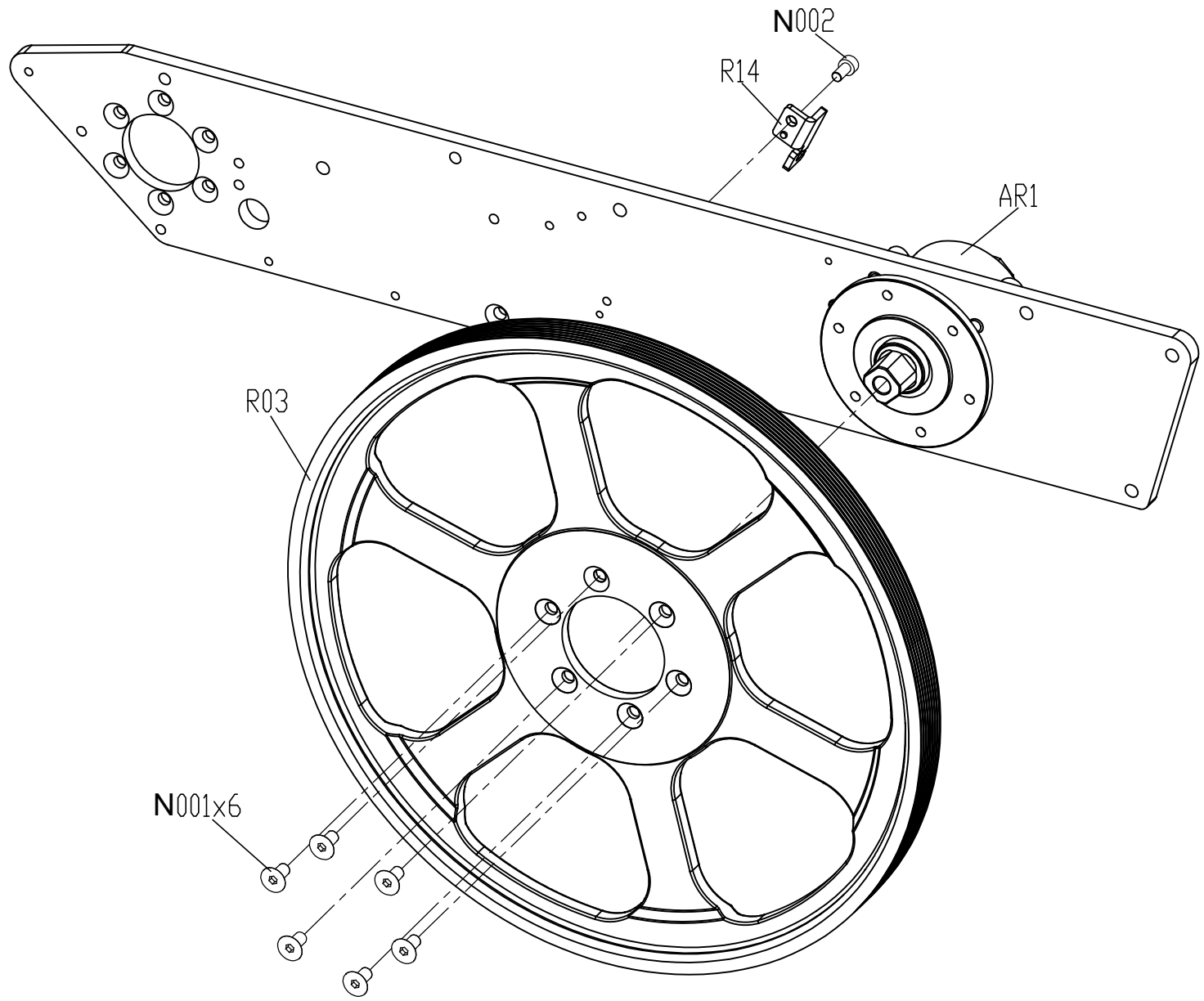
DRAWING NO	FC20-AD15		
PART NAME	Handlebar Set;Fixing		
PART NO	1000404544	REV	A
APPROVE	Benson	DATE	20170915



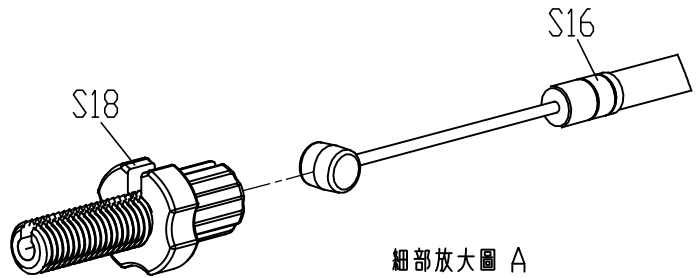
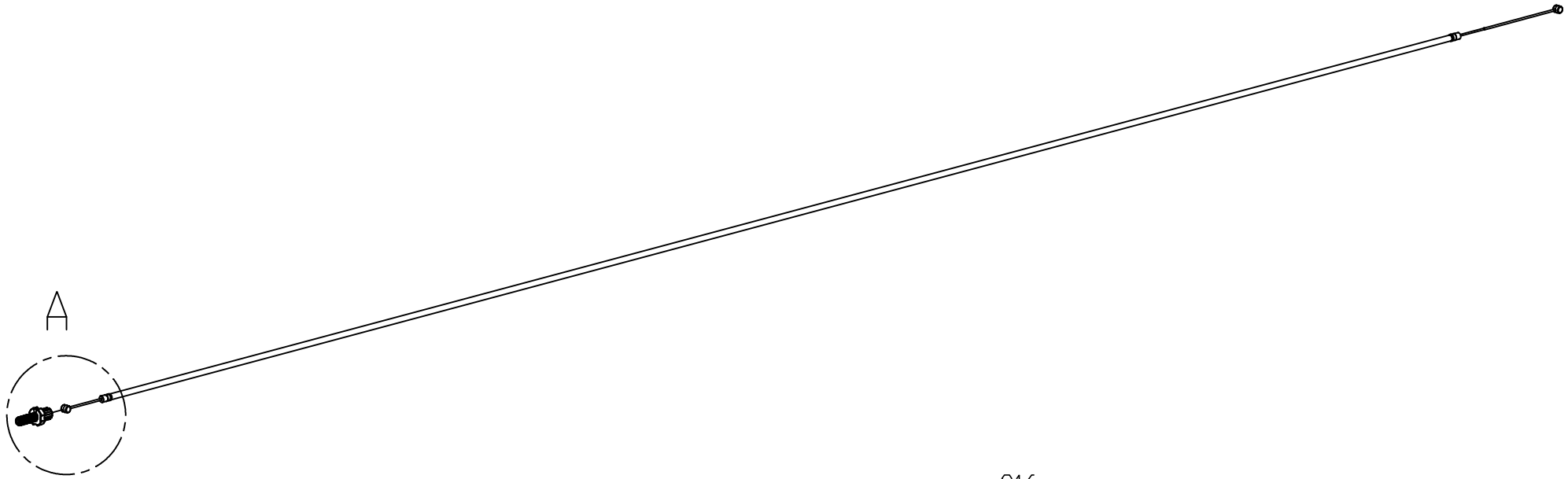
DRAWING NO	FC20-AS5		
PART NAME	flywheel set		
PART NO	1000404547REV B		
APPROVE	Benson	DATE	20170915



DRAWING NO	FC20-AR11		
PART NAME	Driver Set		
PART NO	1000404565 B		
APPROVE	Benson	DATE	20170915

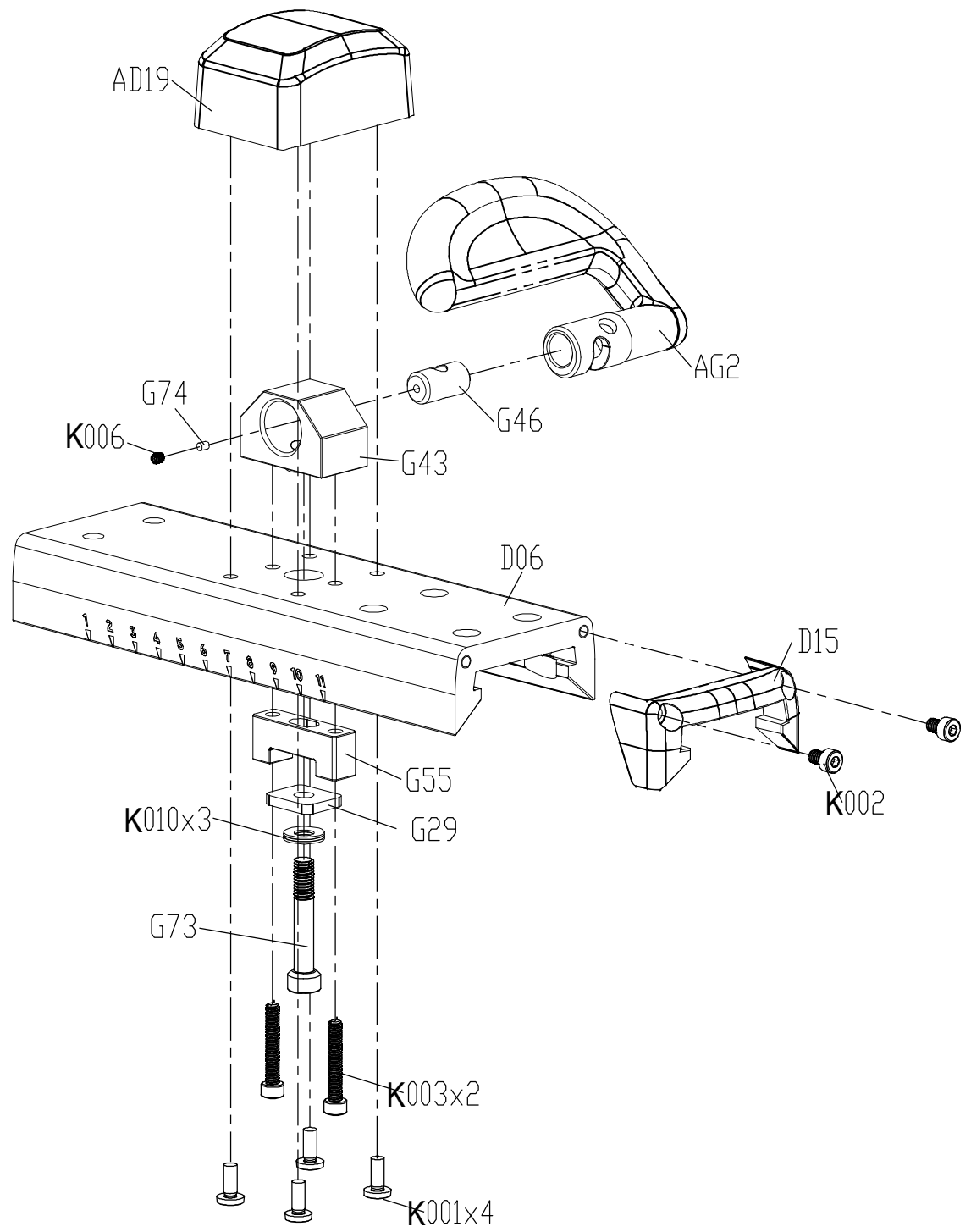



DRAWING NO	FC20-AS3		
PART NAME	Steel Rope Set		
PART NO	1000407255	REV	A
APPROVE	Benson	DATE	20170915

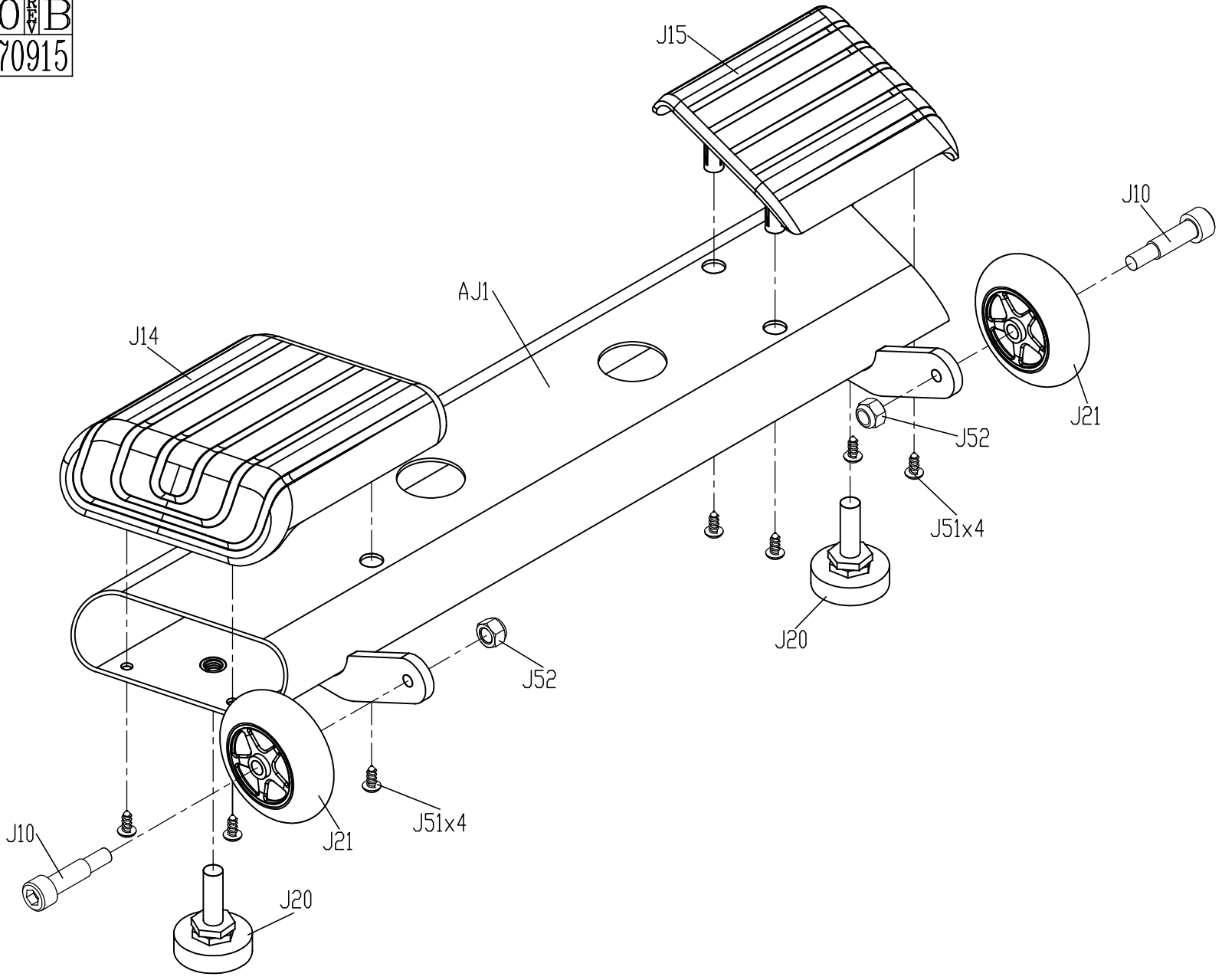


細部放大圖 A
比例 1:1

DRAWING NO	FC20-AD17		
PART NAME	Adjustable Handle Group		
PART NO	1000411449	REV	E
APPROVE	Benson	DATE	20180731



DRAWING NO	FC20-AJ11		
PART NAME	Stabilizer Tube Set;front		
PART NO	1000411450  B		
APPROVE	Benson	DATE	20170915



DRAWING NO	FC20-AJ12		
PART NAME	Stabilizer Tube Set;back		
PART NO	1000411451 ^R B		
APPROVE	Benson	DATE	20170915

