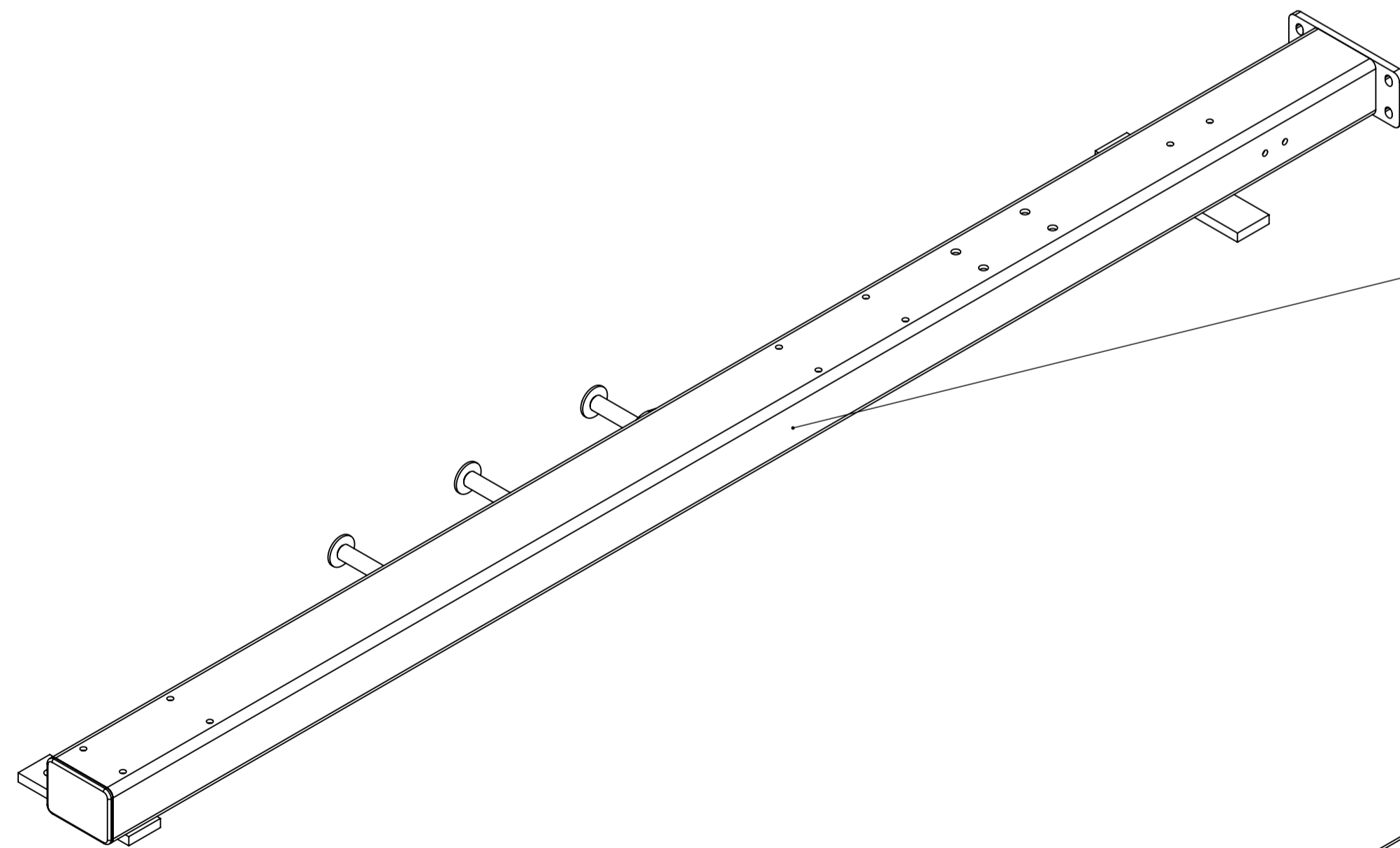
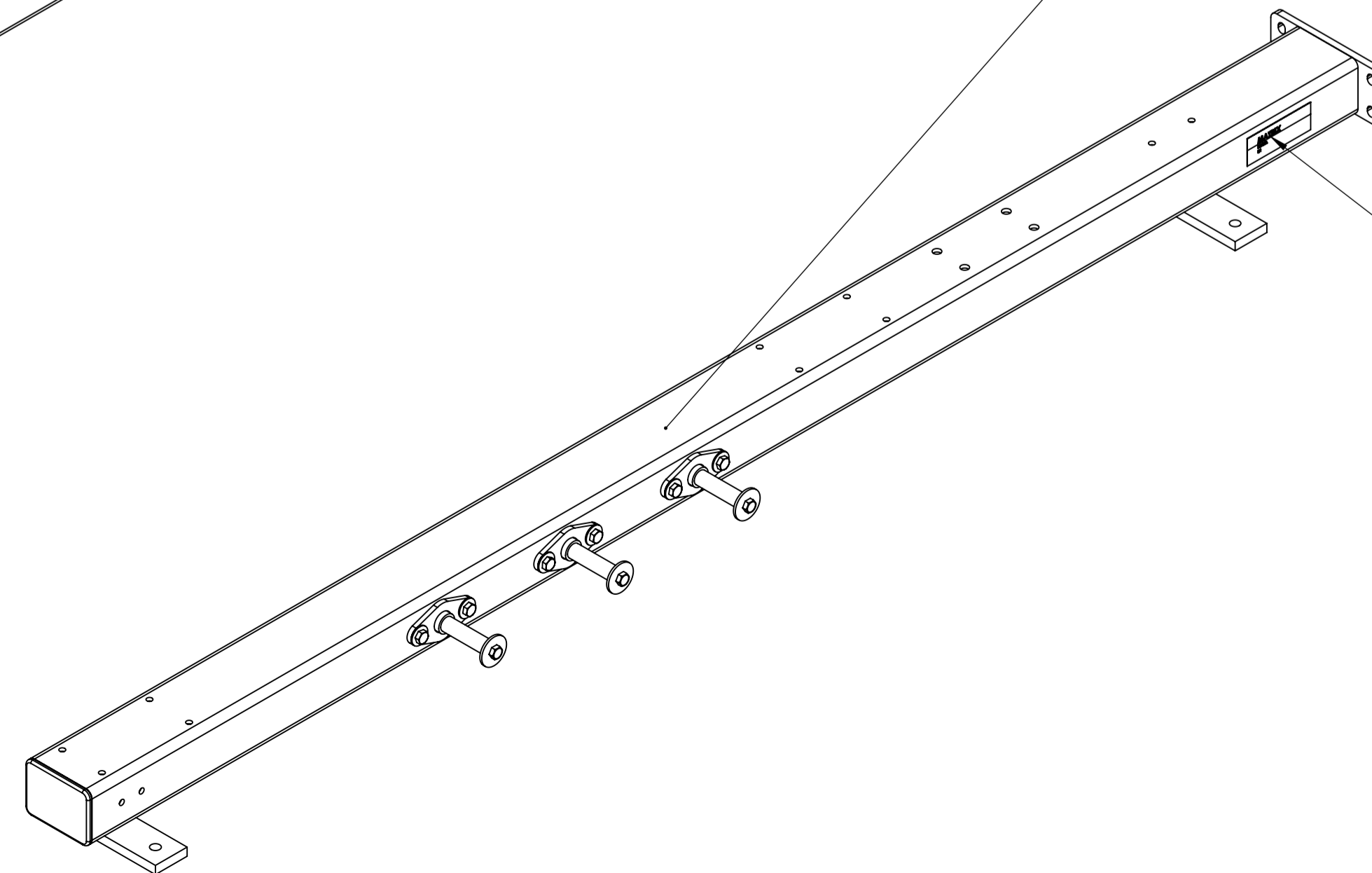


SEE WEIGHT STACK TOP SHEET



SEE WEIGHT STACK BASE SHEET



V1

MATRIX

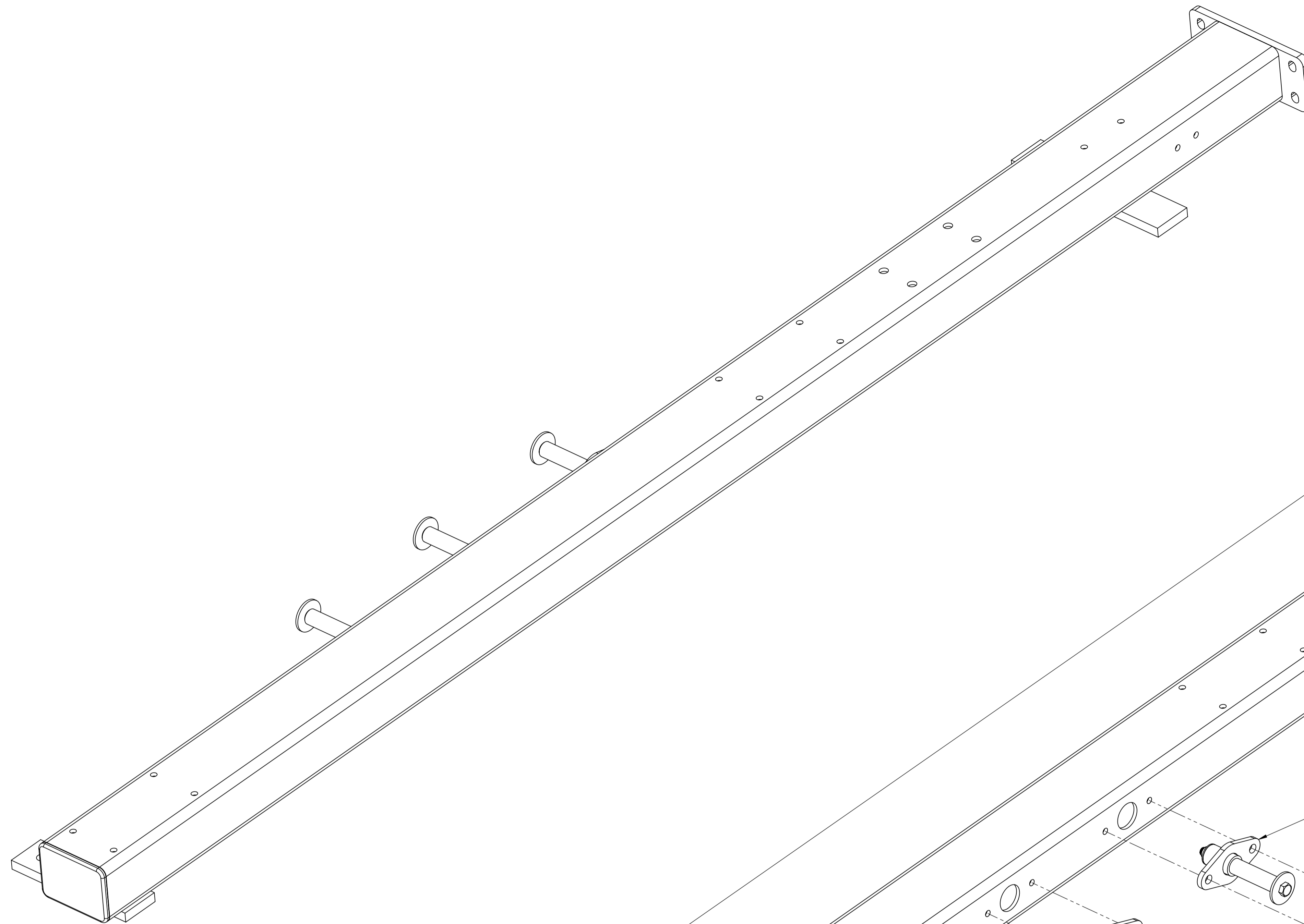
DWG NO.

MG-MOPT-R694-02 SERVICE

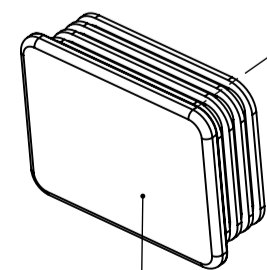
DESCRIPTION:
CONNECTION KIT; WEIGHT STACK
(RACKS & STACKS)

DRAWN BY: LG DATE: 2019.OCT.03

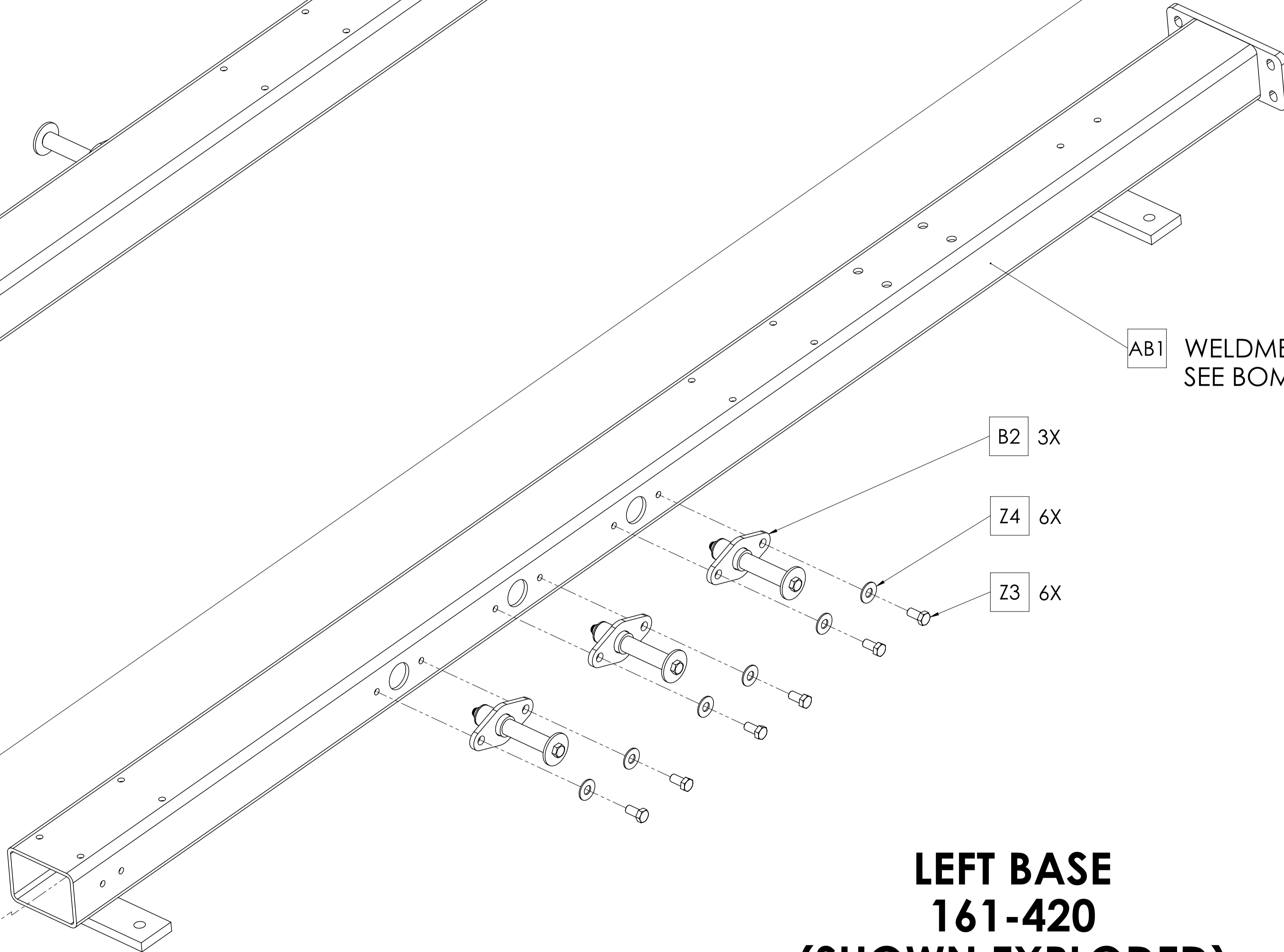
UPDATED BY: -- DATE: --



**RIGHT BASE
161-419**



B5



**LEFT BASE
161-420
(SHOWN EXPLODED)**

AB1 WELDMENT IMAGE MAY VARY
SEE BOM FOR PART NUMBER

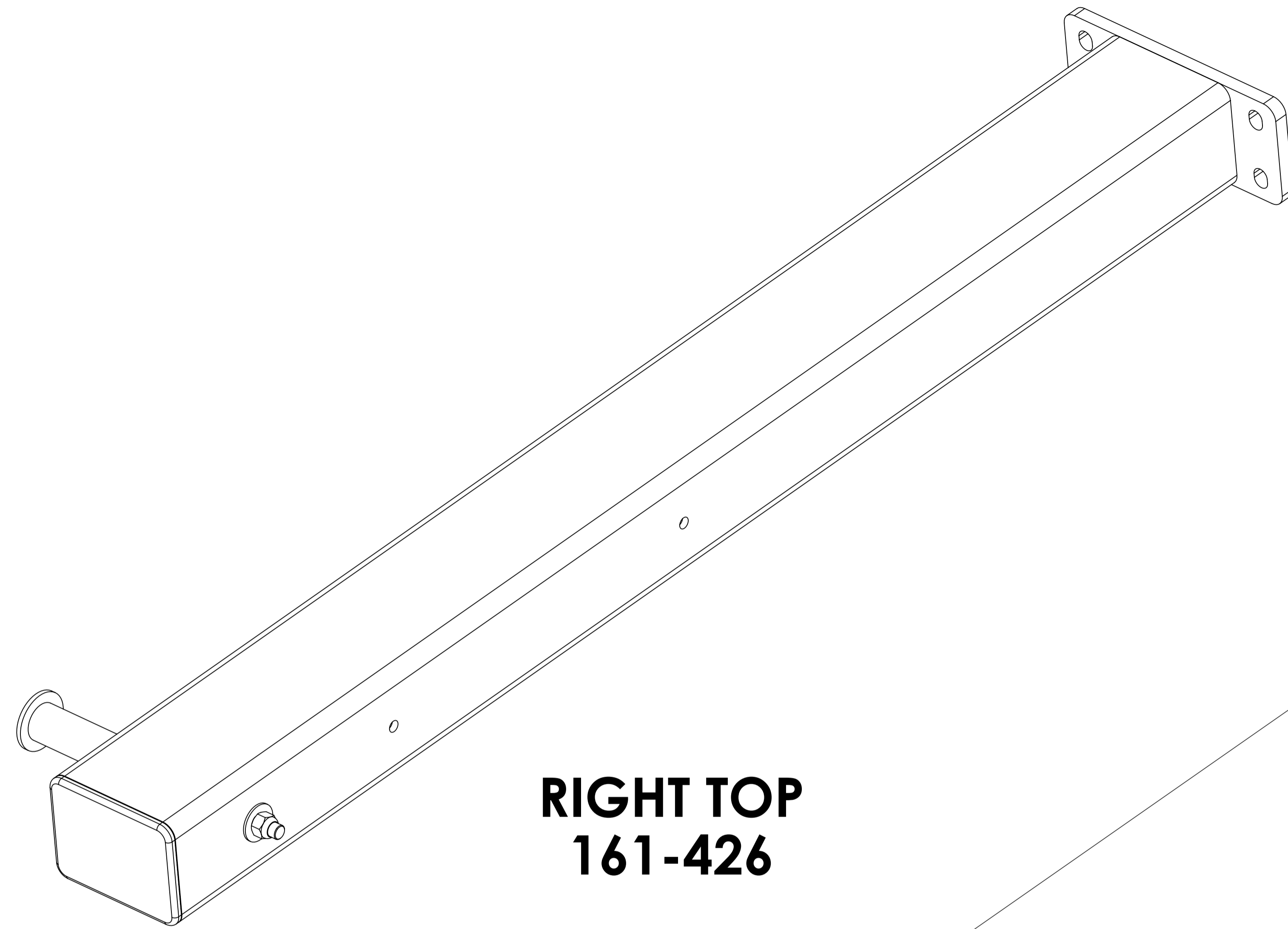
B2 3X

Z4 6X

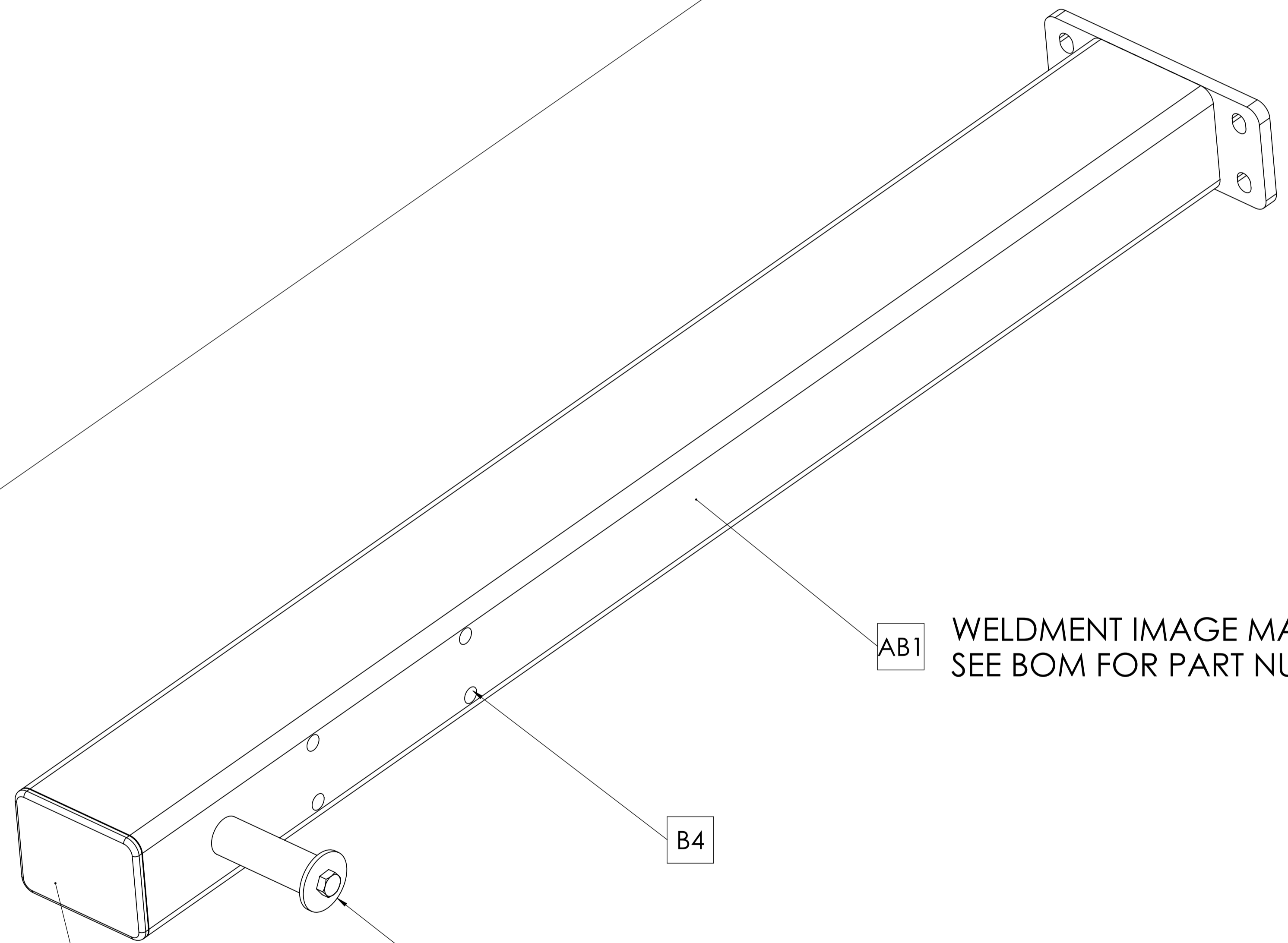
Z3 6X

MATRIX

DWG NO.		161-419 & 161-420 SERVICE	
DESCRIPTION:		BASE ASSEMBLY; WEIGHT STACK (RACKS & STACKS)	
DRAWN BY:	LMB	DATE:	2019.MAY.20
UPDATED BY:	--	DATE:	--



**RIGHT TOP
161-426**



AB1 WELDMENT IMAGE MAY VARY
SEE BOM FOR PART NUMBER

**LEFT TOP
161-425**

MATRIX

DWG NO. 161-425 & 161-426 SERVICE		
DESCRIPTION: TOP ASSEMBLY; WEIGHT STACKS (RACKS & STACKS)		
DRAWN BY:	LMB	DATE: 2019.MAY.20
UPDATED BY:	LG	DATE: 2019.OCT.03