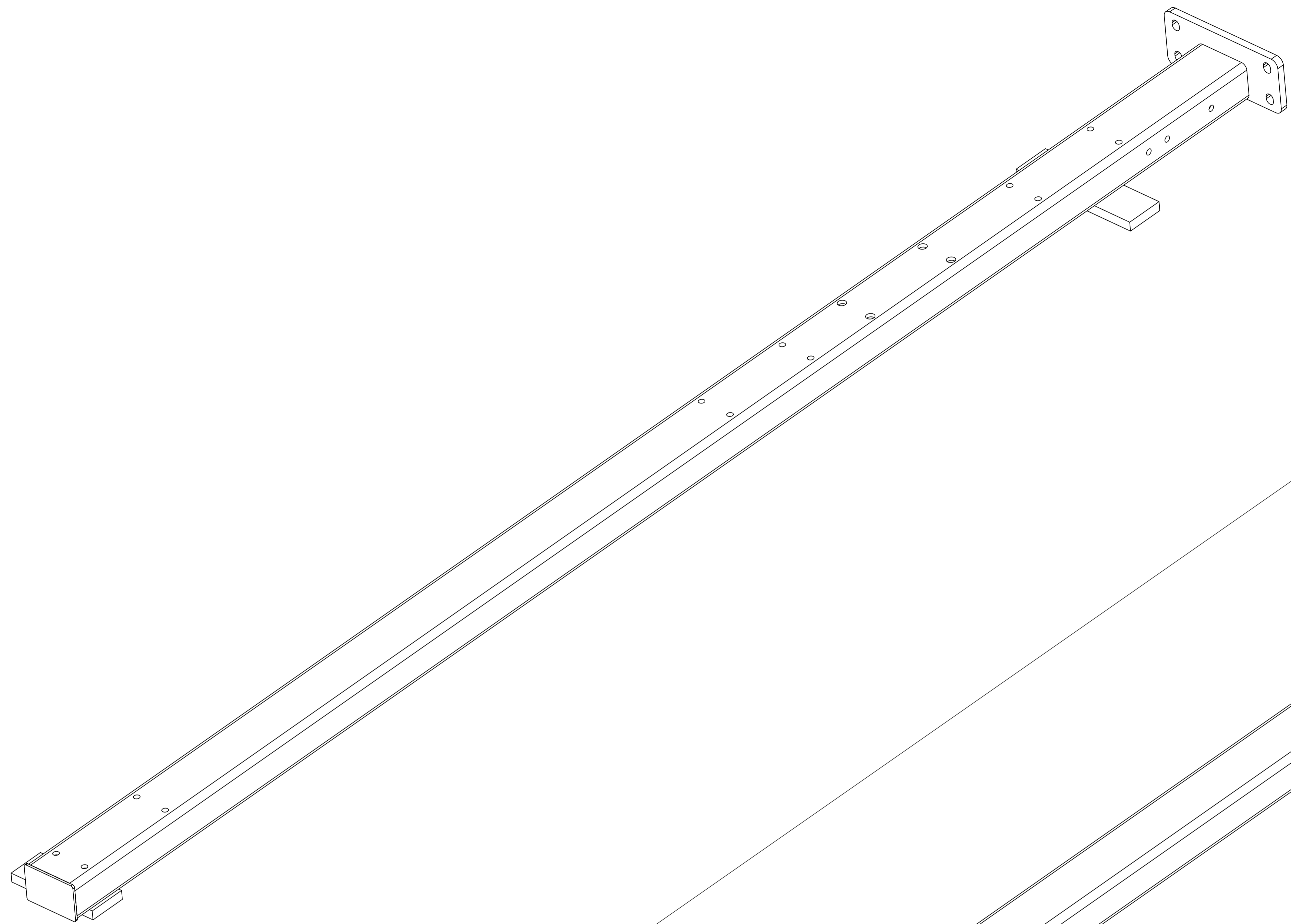
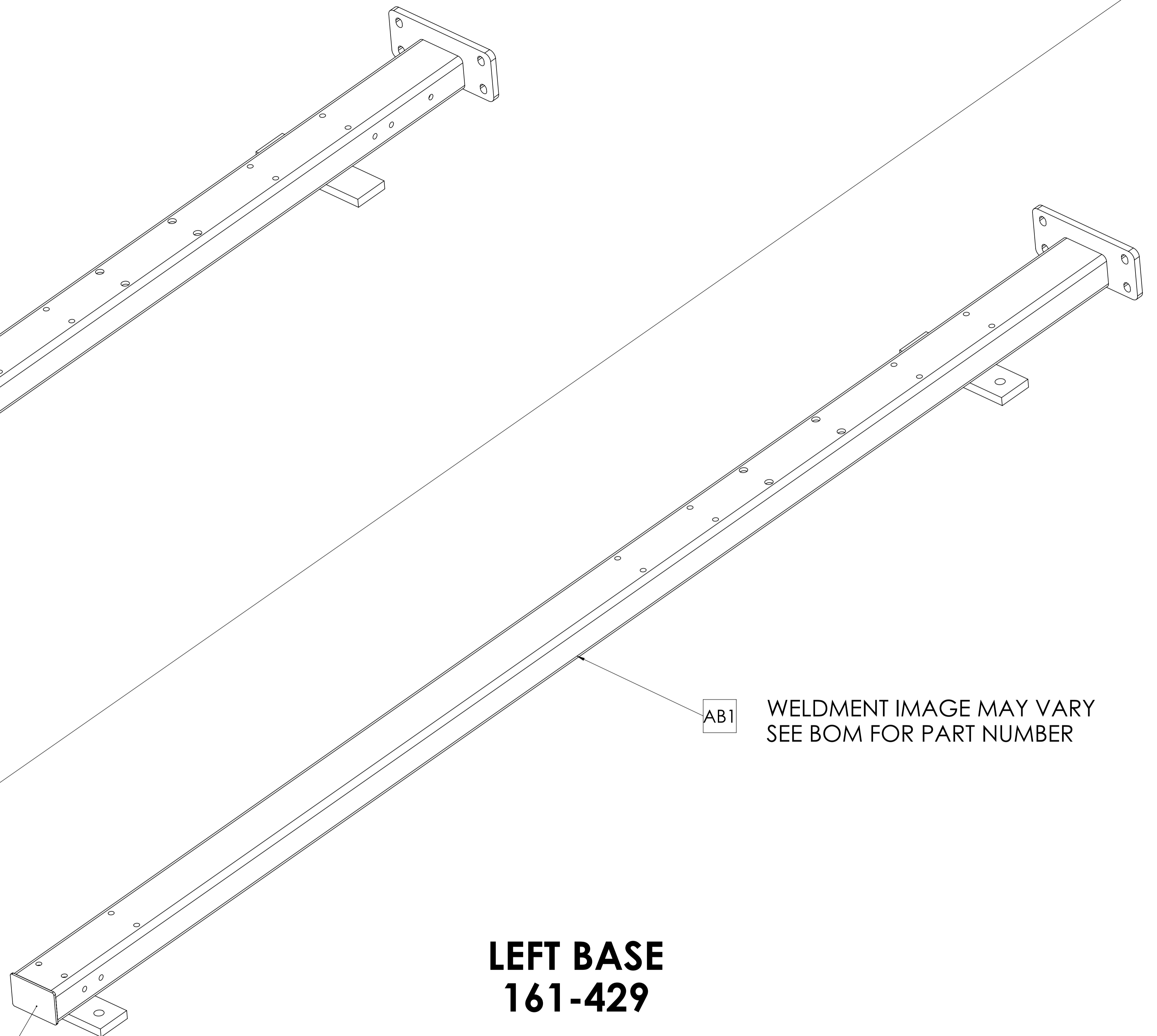


MATRIX

DWG NO.		MG-OPT-R47-02 SERVICE	
DESCRIPTION:		CONNECTION KIT; WEIGHT STACKS (RACKS & STACKS)	
DRAWN BY:	LMB	DATE:	2019.MAY.16
UPDATED BY:	LG	DATE:	2019.SEP.27



**RIGHT BASE
161-430**



**LEFT BASE
161-429**

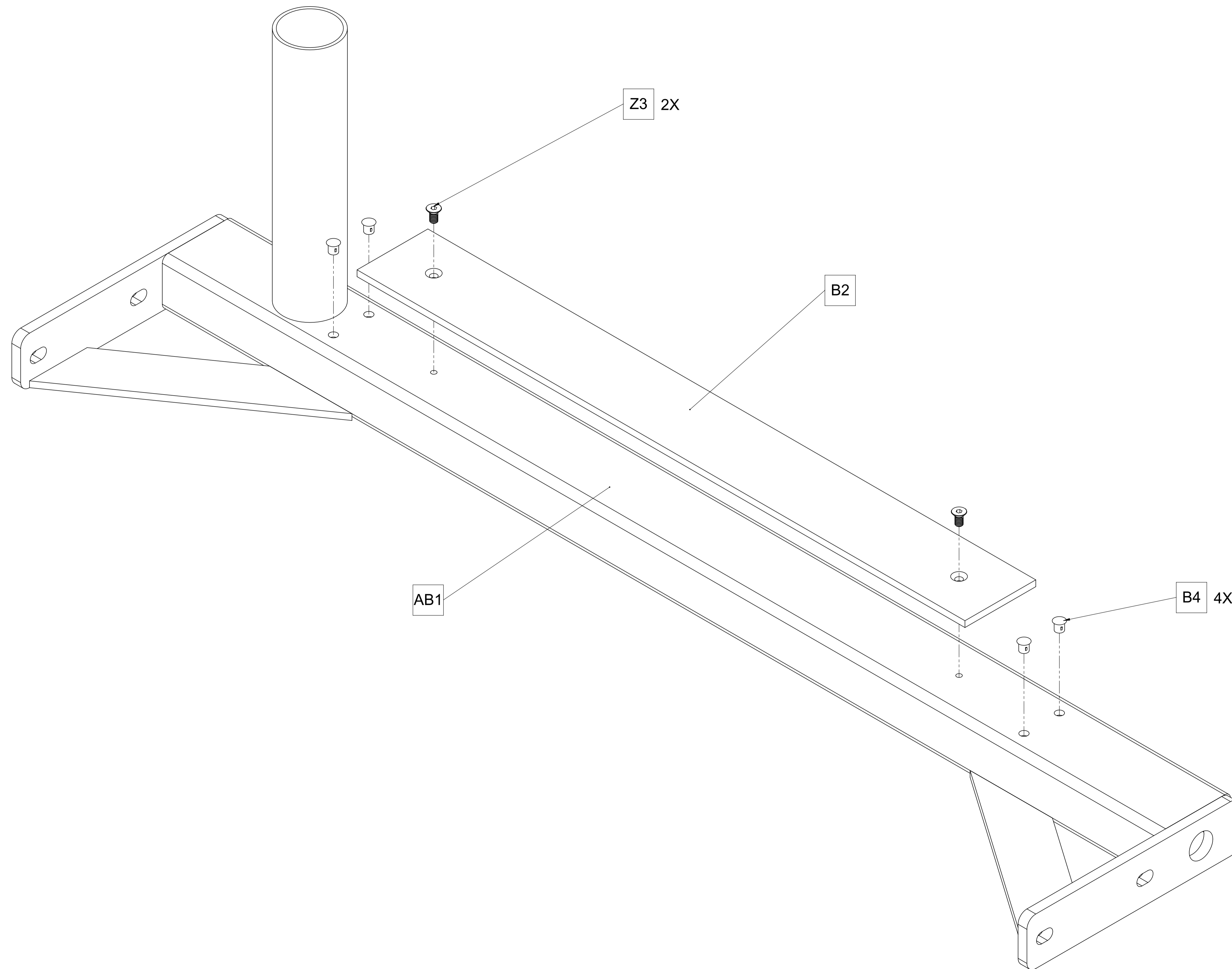
AB1

WELDMENT IMAGE MAY VARY
SEE BOM FOR PART NUMBER

B2

MATRIX

DWG NO.		
161-429 & 161-430 SERVICE		
DESCRIPTION: A47-05 BASE ASSM; WEIGHT STACK (RACKS & STACKS)		
DRAWN BY:	LMB	DATE: 2019.MAY.20
UPDATED BY:	LG	DATE: 2019.SEP.27



Z3 2X

B2

AB1

B4 4X

MATRIX

DWG NO.	161-440 SERVICE	
DESCRIPTION:	SUB-ASSEMBLY; BASE (RACKS & STACKS)	
DRAWN BY:	LMB	DATE: 2019.MAY.16
UPDATED BY:	--	DATE: --