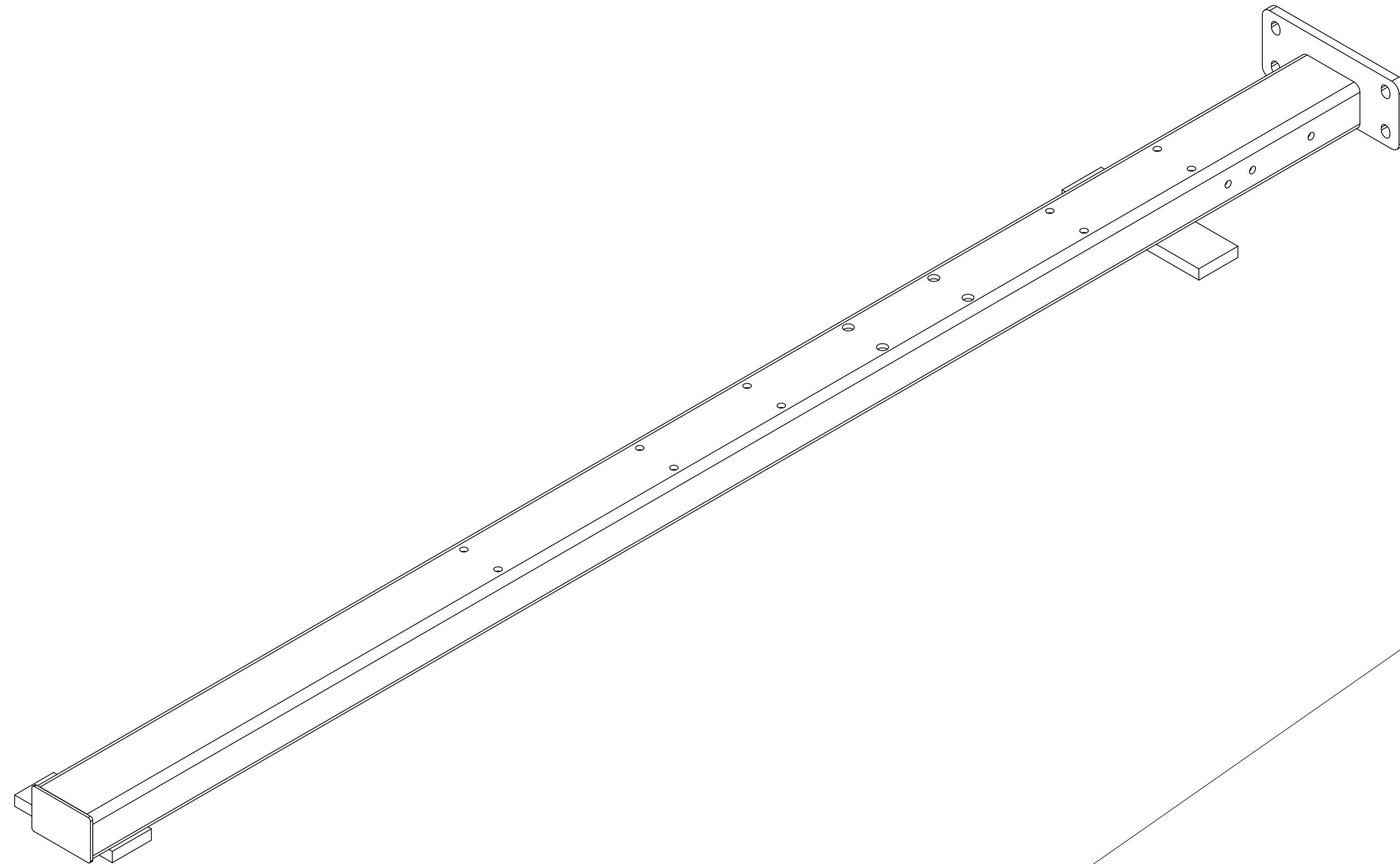
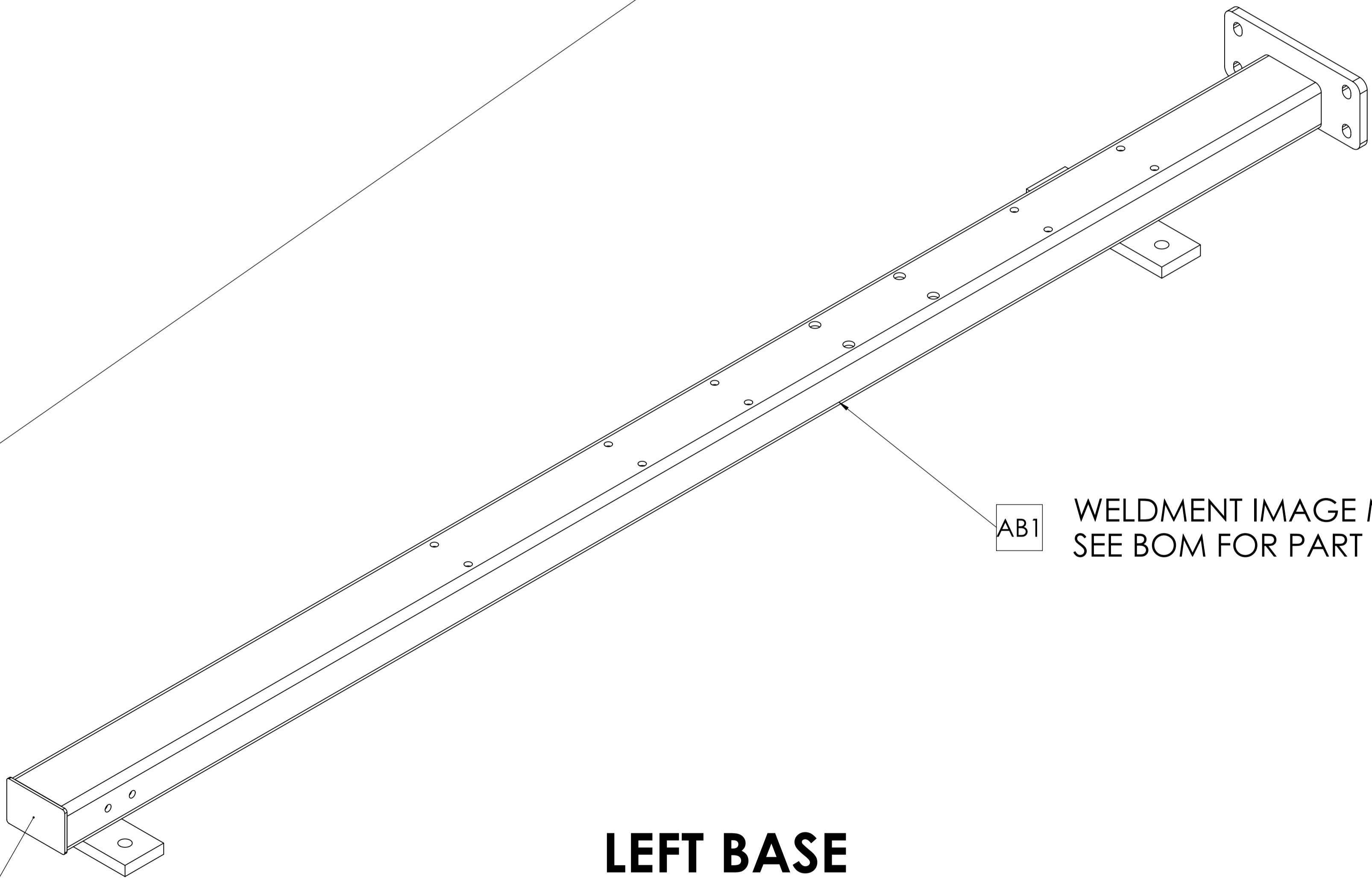


MATRIX

DWG NO.		MG-OPT-R690-02 SERVICE	
DESCRIPTION:		CONNECTION KIT; WEIGHT STACKS (RACKS & STACKS)	
DRAWN BY:	LMB	DATE:	2019.MAY.14
UPDATED BY:	LG	DATE:	2019.SEP.27



**RIGHT BASE
161-432**



AB1

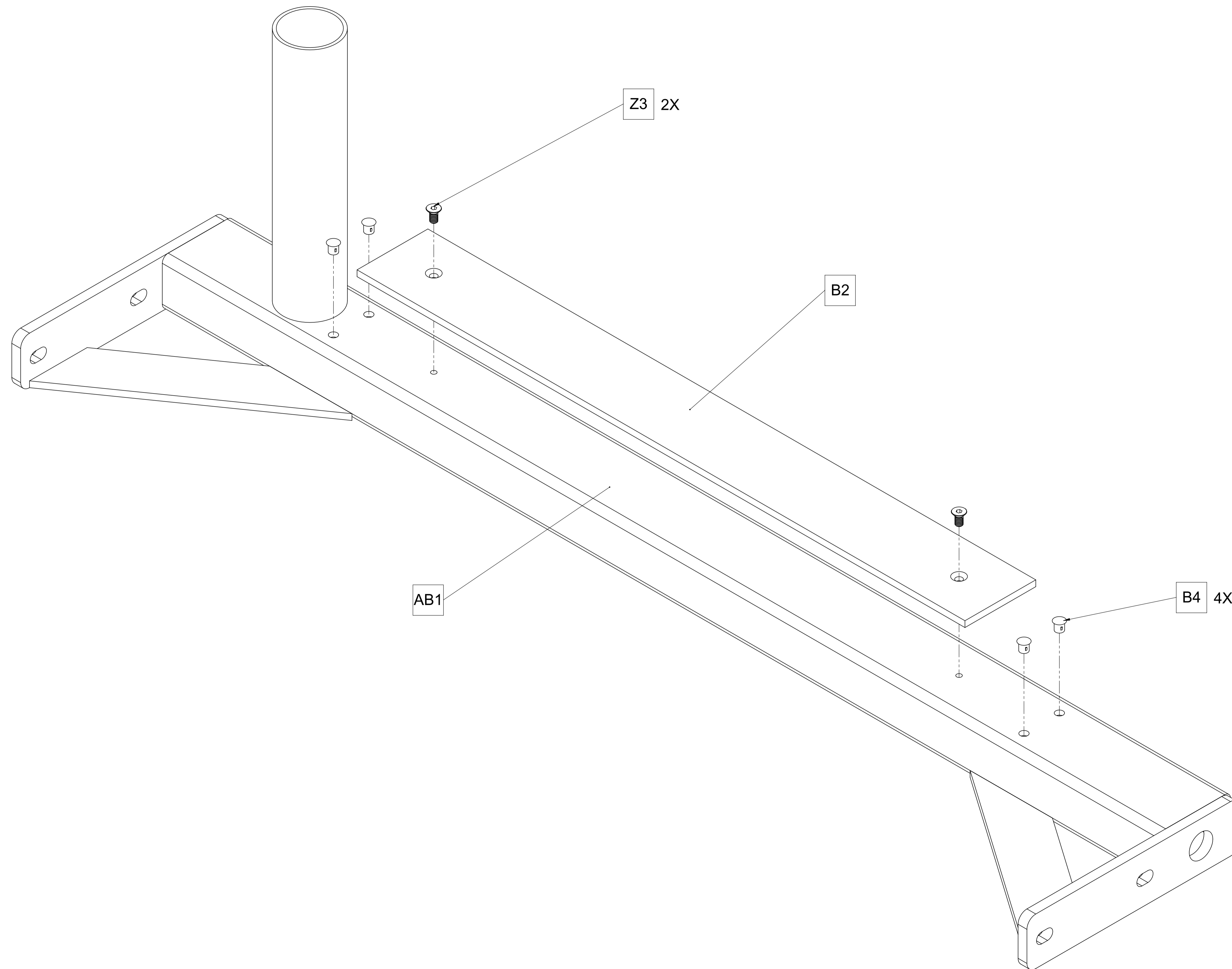
WELDMENT IMAGE MAY VARY
SEE BOM FOR PART NUMBER

**LEFT BASE
161-431**

B2

MATRIX

DWG NO.		161-431 & 161-432 SERVICE	
DESCRIPTION:		BASE ASSEMBLY; WEIGHT STACKS (Racks & Stacks)	
DRAWN BY:	LG	DATE:	2019-SEP.27
UPDATED BY:	--	DATE:	--



MATRIX

DWG NO.	161-440 SERVICE	
DESCRIPTION:	SUB-ASSEMBLY; BASE (RACKS & STACKS)	
DRAWN BY:	LMB	DATE: 2019.MAY.16
UPDATED BY:	--	DATE: --