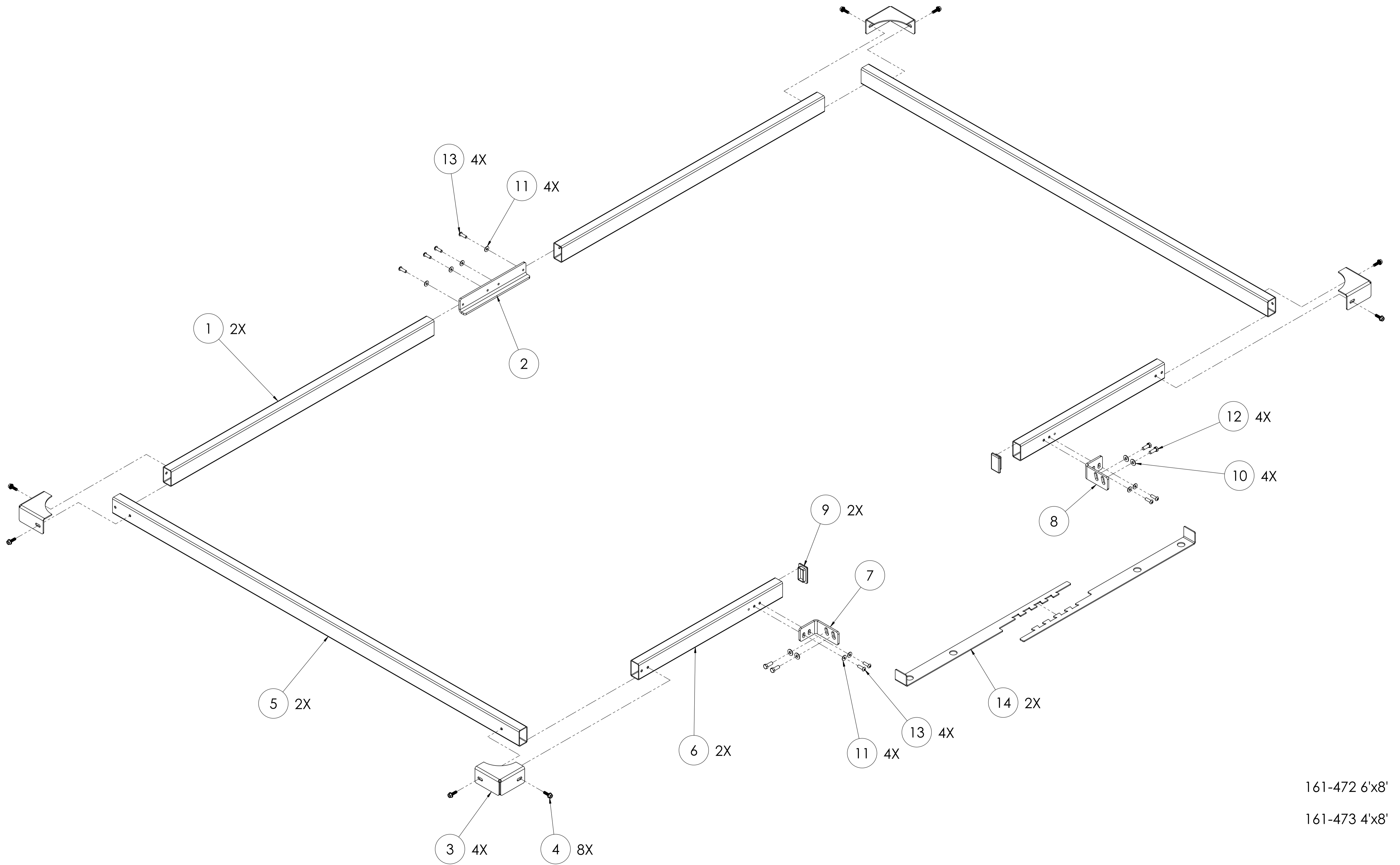


MATRIX

DWG NO.		MG-A691SP-4-06 SERVICE	
DESCRIPTION:		PLATFORM W/HARDWOOD INSERT (Racks & Platforms)	
DRAWN BY:	LG	DATE:	2019.DEC.24
UPDATED BY:		DATE:	



161-472 6'x8'

161-473 4'x8'

MATRIX

DWG NO.		161-472 & 161-473 SERVICE	
DESCRIPTION: A & MR PLATFORM RAIL ASSEMBLY (Racks & Platforms)			
DRAWN BY:	LG	DATE:	2019.DEC.19
UPDATED BY:		DATE:	