

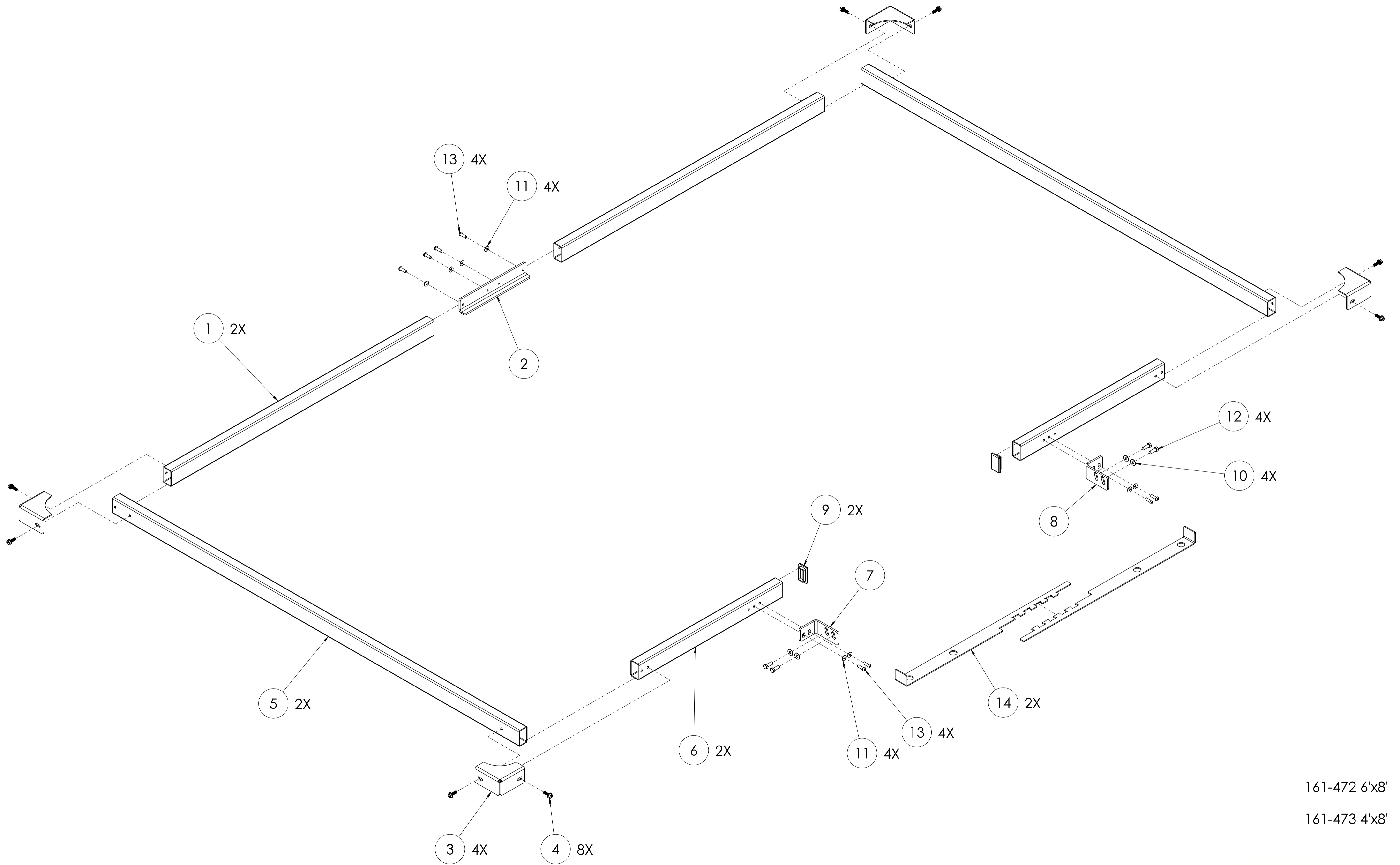
MATRIX

DWG NO. MA4794P-4-06 &
D4794P-4-06 SERVICE

DESCRIPTION:
PLATFORM W/HARDWOOD INSERT
(Racks & Platforms)

DRAWN BY: LG DATE: 2019.DEC.23

UPDATED BY: DATE:



161-472 6'x8'

161-473 4'x8'

MATRIX

DWG NO.		161-472 & 161-473 SERVICE	
DESCRIPTION:			
A & MR PLATFORM RAIL ASSEMBLY (Racks & Platforms)			
DRAWN BY:	LG	DATE:	2019.DEC.19
UPDATED BY:		DATE:	