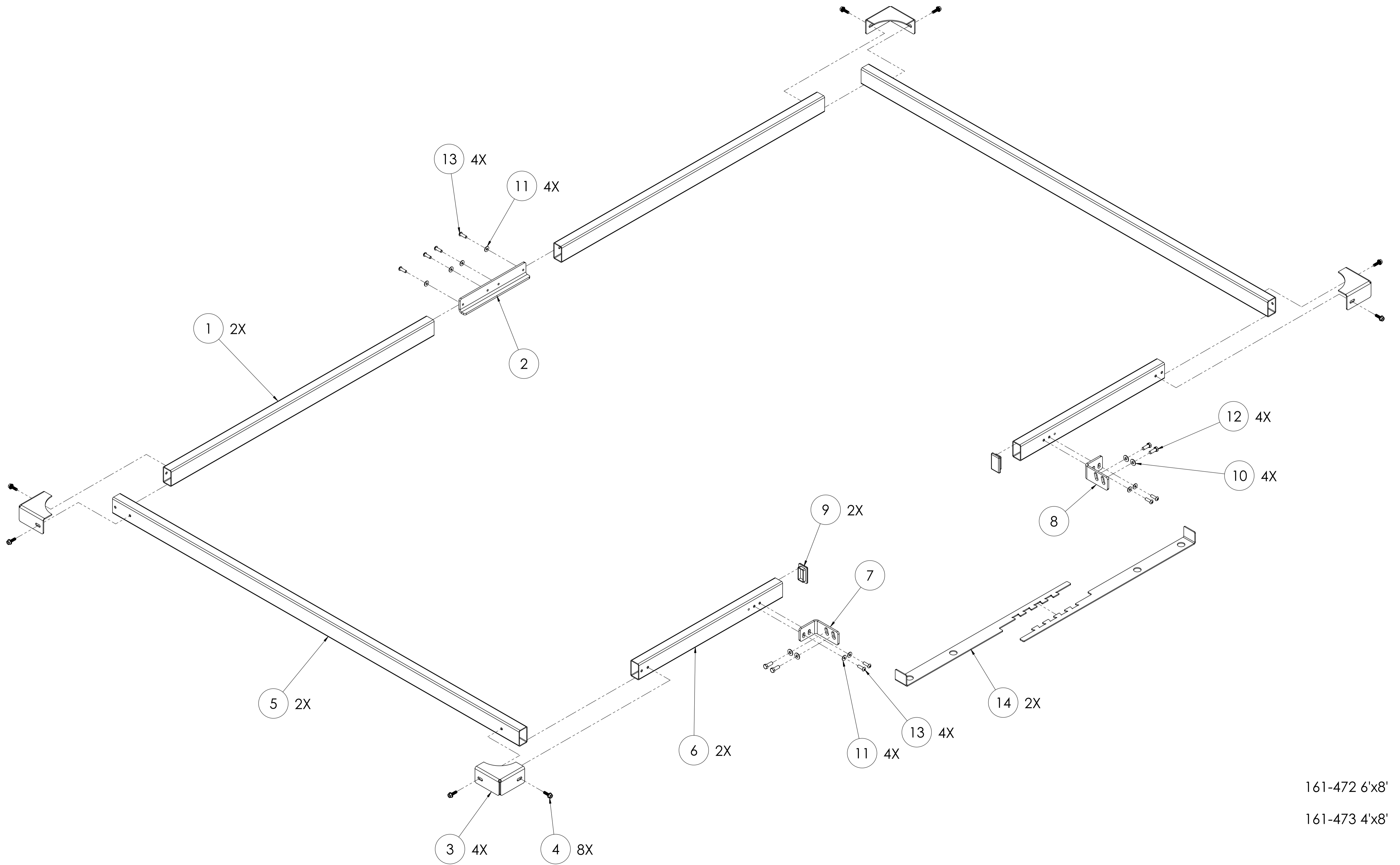


**MATRIX**

DWG NO.		MG-MA9091P-06 SERVICE	
DESCRIPTION:			
PLATFORM W/HARDWOOD INSERT (Racks & Platforms)			
DRAWN BY:	LG	DATE:	2019.DEC.20
UPDATED BY:		DATE:	



161-472 6'x8'

161-473 4'x8'

**MATRIX**

DWG NO.		161-472 & 161-473 SERVICE	
DESCRIPTION: A & MR PLATFORM RAIL ASSEMBLY (Racks & Platforms)			
DRAWN BY:	LG	DATE:	2019.DEC.19
UPDATED BY:		DATE:	