

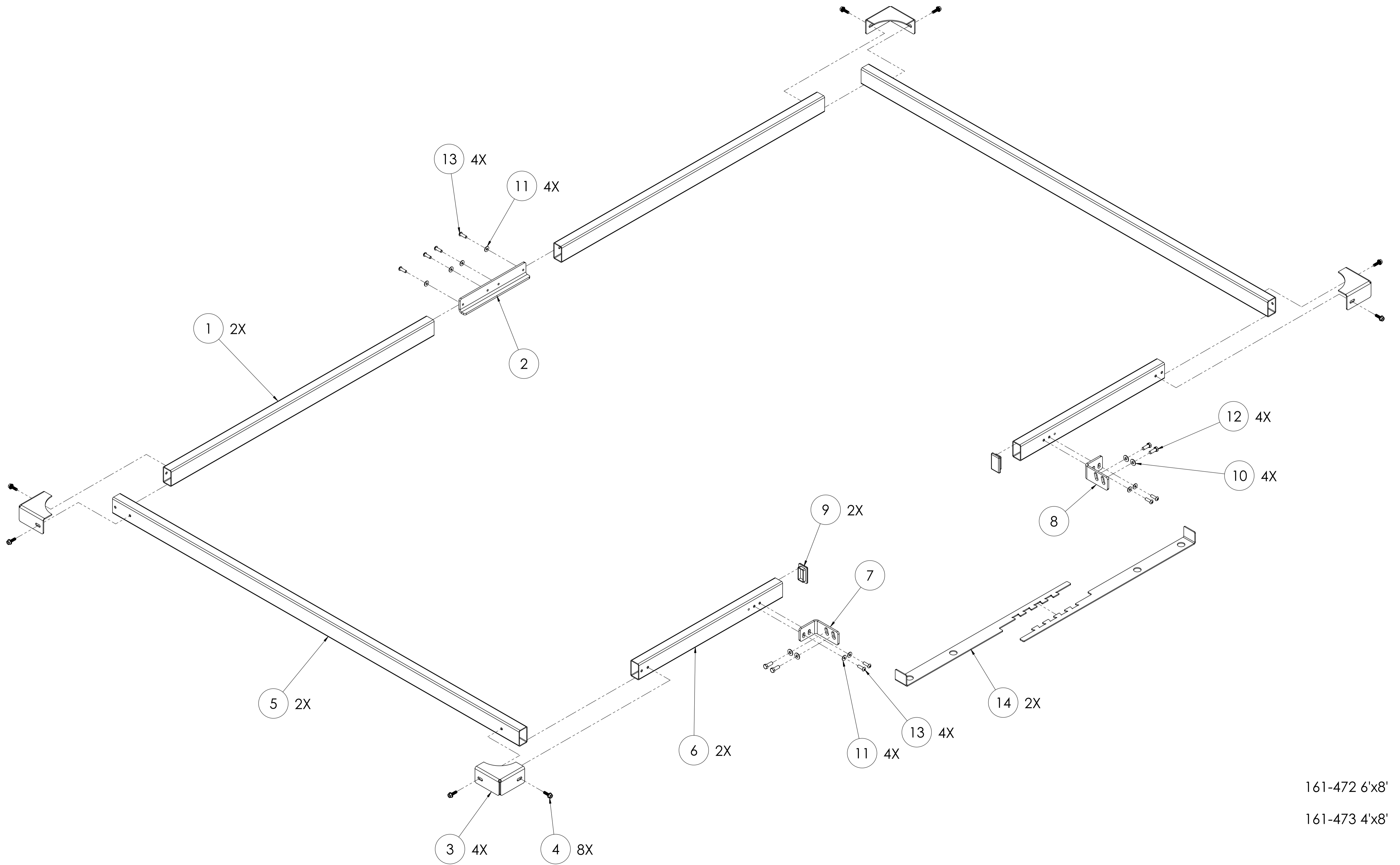
**MATRIX**

DWG NO. MARP4794-4-06 &  
DRP4794-4-06 SERVICE

DESCRIPTION: RUBBER PLATFORM  
(Racks & Platforms)

DRAWN BY: LG DATE: 2019.DEC.24

UPDATED BY: DATE:



161-472 6'x8'

161-473 4'x8'

# MATRIX

DWG NO.		161-472 & 161-473 SERVICE	
DESCRIPTION:			
A & MR PLATFORM RAIL ASSEMBLY (Racks & Platforms)			
DRAWN BY:	LG	DATE:	2019.DEC.19
UPDATED BY:		DATE:	