

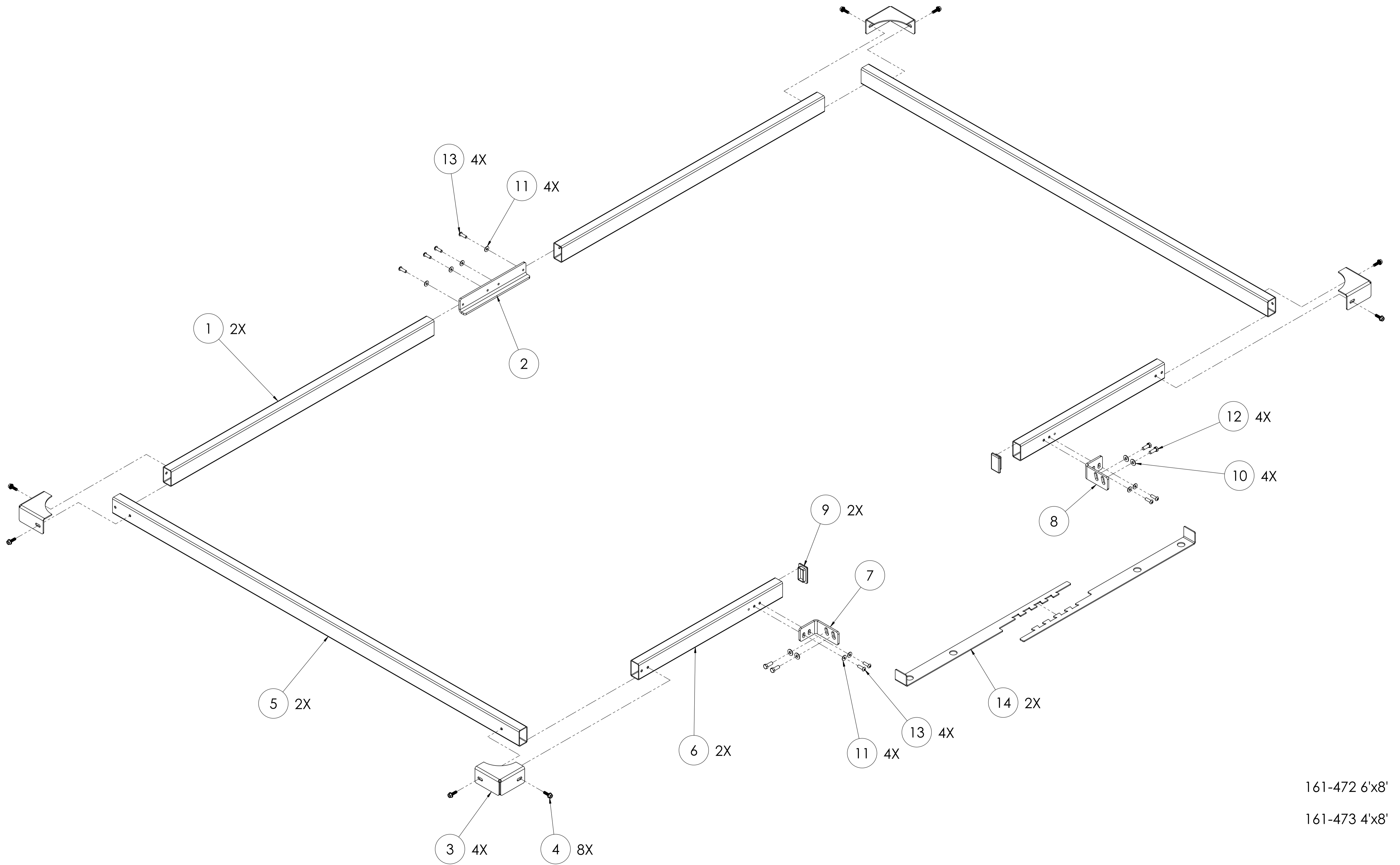
MATRIX

DWG NO.
MAR9091-4-06 & DRP90-4-06 SERVICE

DESCRIPTION:
RUBBER PLATFORM
(Racks & Platforms)

DRAWN BY: LG DATE: 2019.DEC.26

UPDATED BY: DATE:



161-472 6'x8'

161-473 4'x8'

MATRIX

| | | | |
|--|----|---------------------------|-------------|
| DWG NO. | | 161-472 & 161-473 SERVICE | |
| DESCRIPTION: A & MR PLATFORM RAIL ASSEMBLY (Racks & Platforms) | | | |
| DRAWN BY: | LG | DATE: | 2019.DEC.19 |
| UPDATED BY: | | DATE: | |