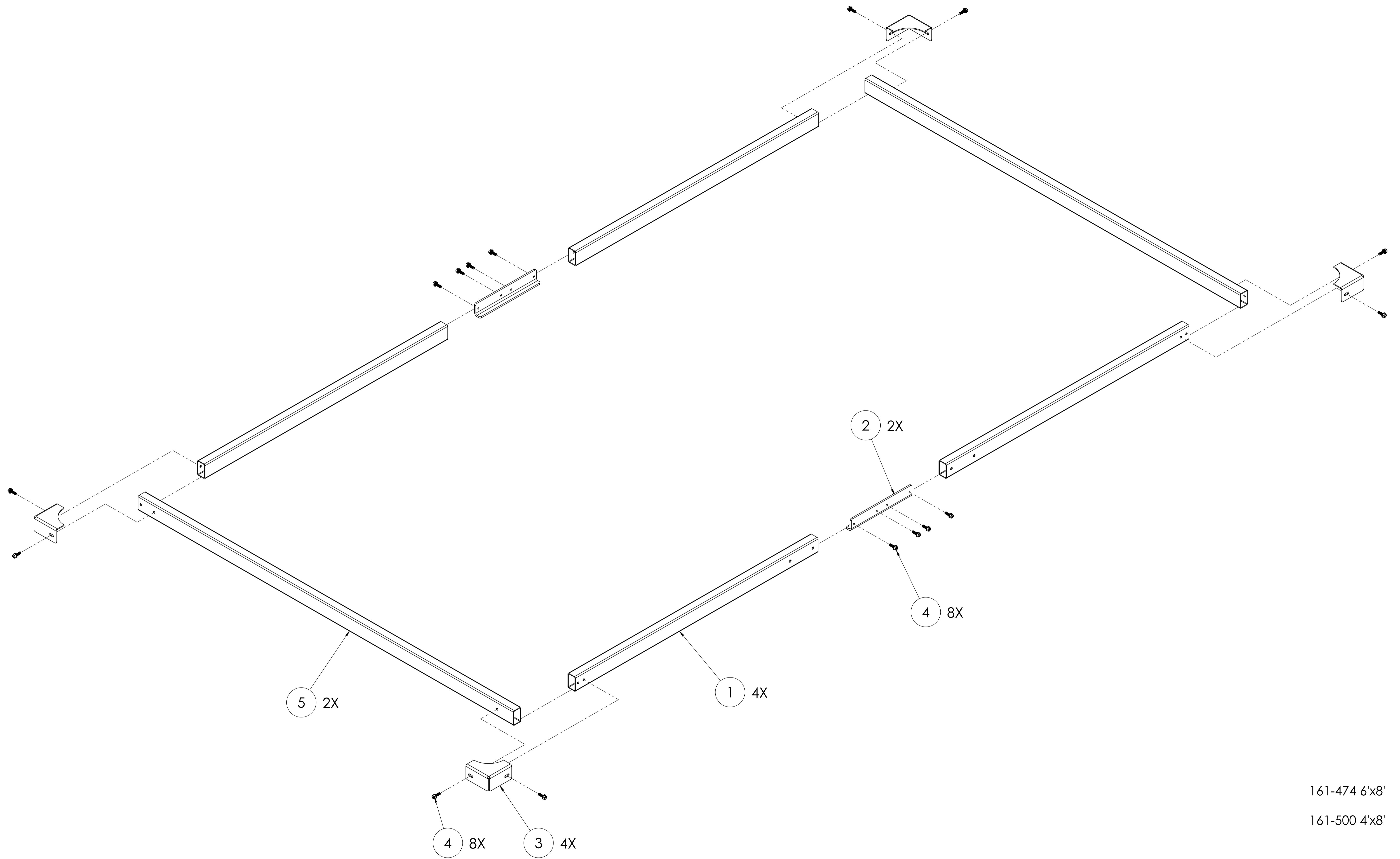


MATRIX

DWG NO.	MG-PS84-06 SERVICE		
DESCRIPTION:	STAND ALONE HARDWOOD PLATFORM (Racks & Platforms)		
DRAWN BY:	LG	DATE:	2020.JUN.01
UPDATED BY:		DATE:	



161-474 6'x8'

161-500 4'x8'

MATRIX

DWG NO.		161-474 & 161-500 SERVICE	
DESCRIPTION: PLATFORM RAIL KIT - FREESTANDING (Racks & Platforms)			
DRAWN BY:	LG	DATE:	2019.DEC.19
UPDATED BY:	LG	DATE:	2020.JUN.01