

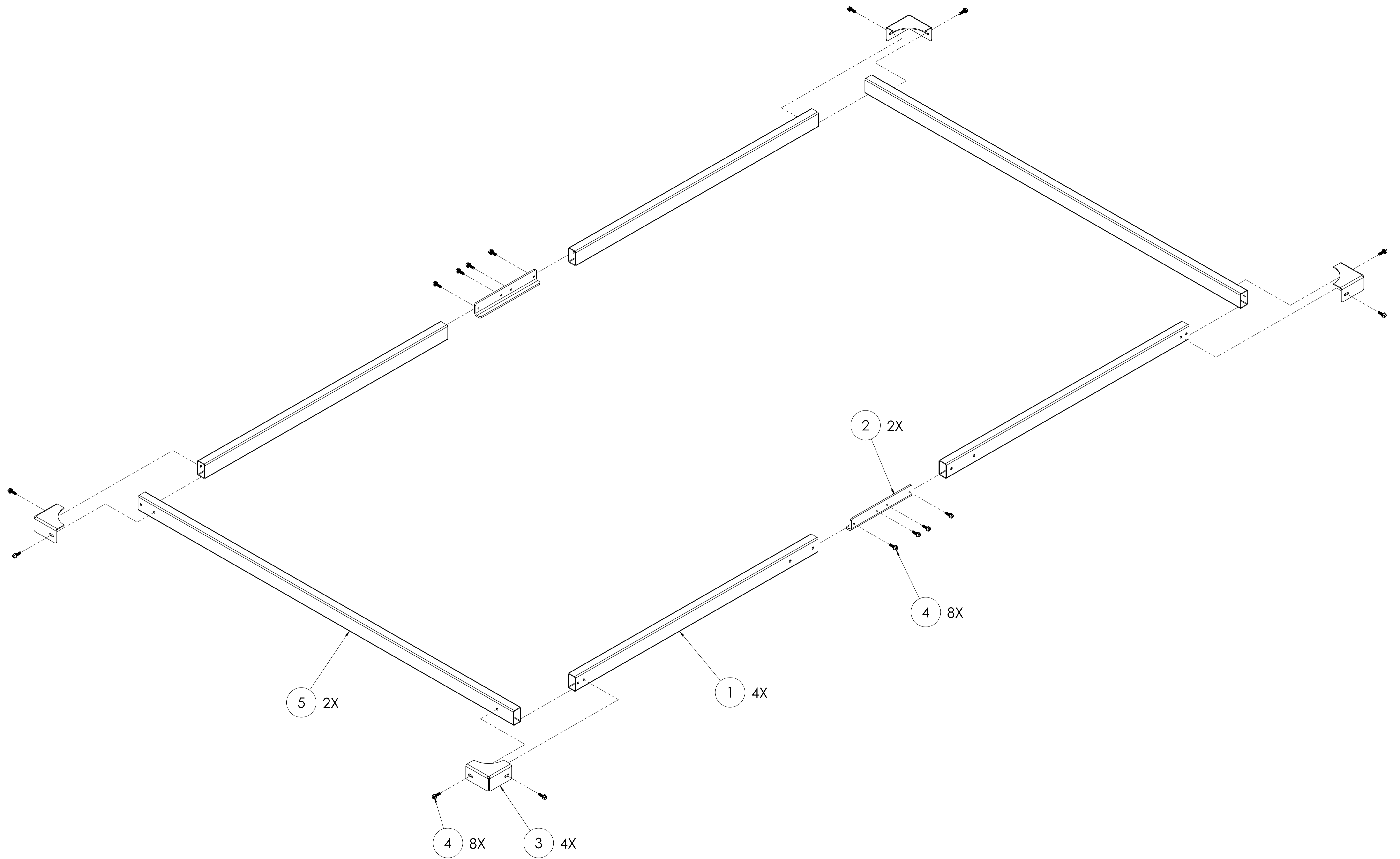
**MATRIX**

DWG NO. MG-PS86-06 SERVICE

DESCRIPTION: STAND ALONE HARDWOOD PLATFORM  
(Racks & Platforms)

DRAWN BY: LG DATE: 2019.DEC.26

UPDATED BY: DATE:



**MATRIX**

DWG NO.		161-474 SERVICE	
DESCRIPTION: PLATFORM RAIL KIT - FREESTANDING (Racks & Platforms)			
DRAWN BY:	LG	DATE:	2019.DEC.19
UPDATED BY:		DATE:	