

**MATRIX**

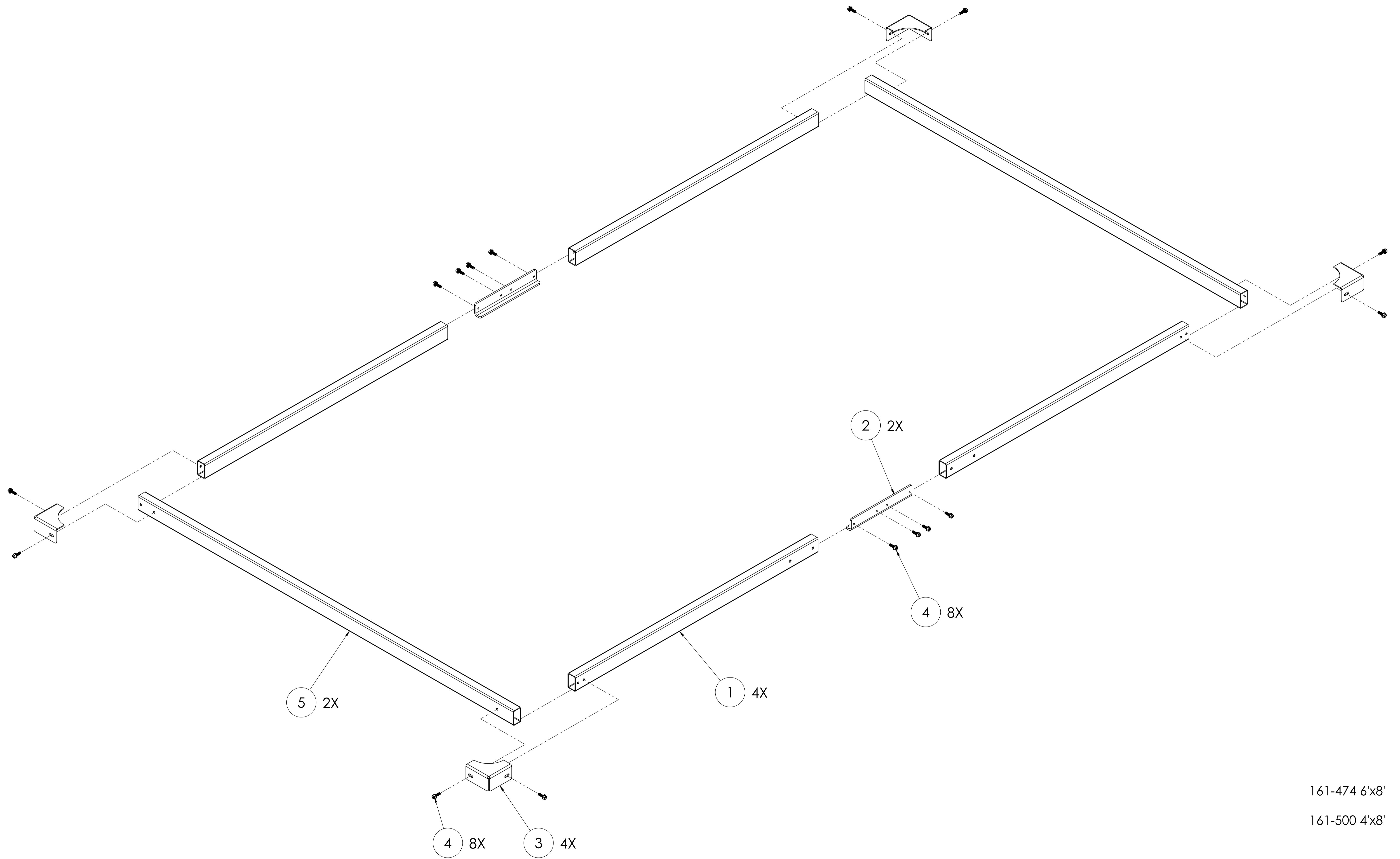
DWG NO.

MG-RP84-06 SERVICE

DESCRIPTION:  
STAND ALONE RUBBER PLATFORM  
(Racks & Platforms)

DRAWN BY: LG DATE: 2020.JUN.01

UPDATED BY: DATE:



161-474 6'x8'

161-500 4'x8'

**MATRIX**

DWG NO.		161-474 & 161-500 SERVICE	
DESCRIPTION: PLATFORM RAIL KIT - FREESTANDING (Racks & Platforms)			
DRAWN BY:	LG	DATE:	2019.DEC.19
UPDATED BY:	LG	DATE:	2020.JUN.01