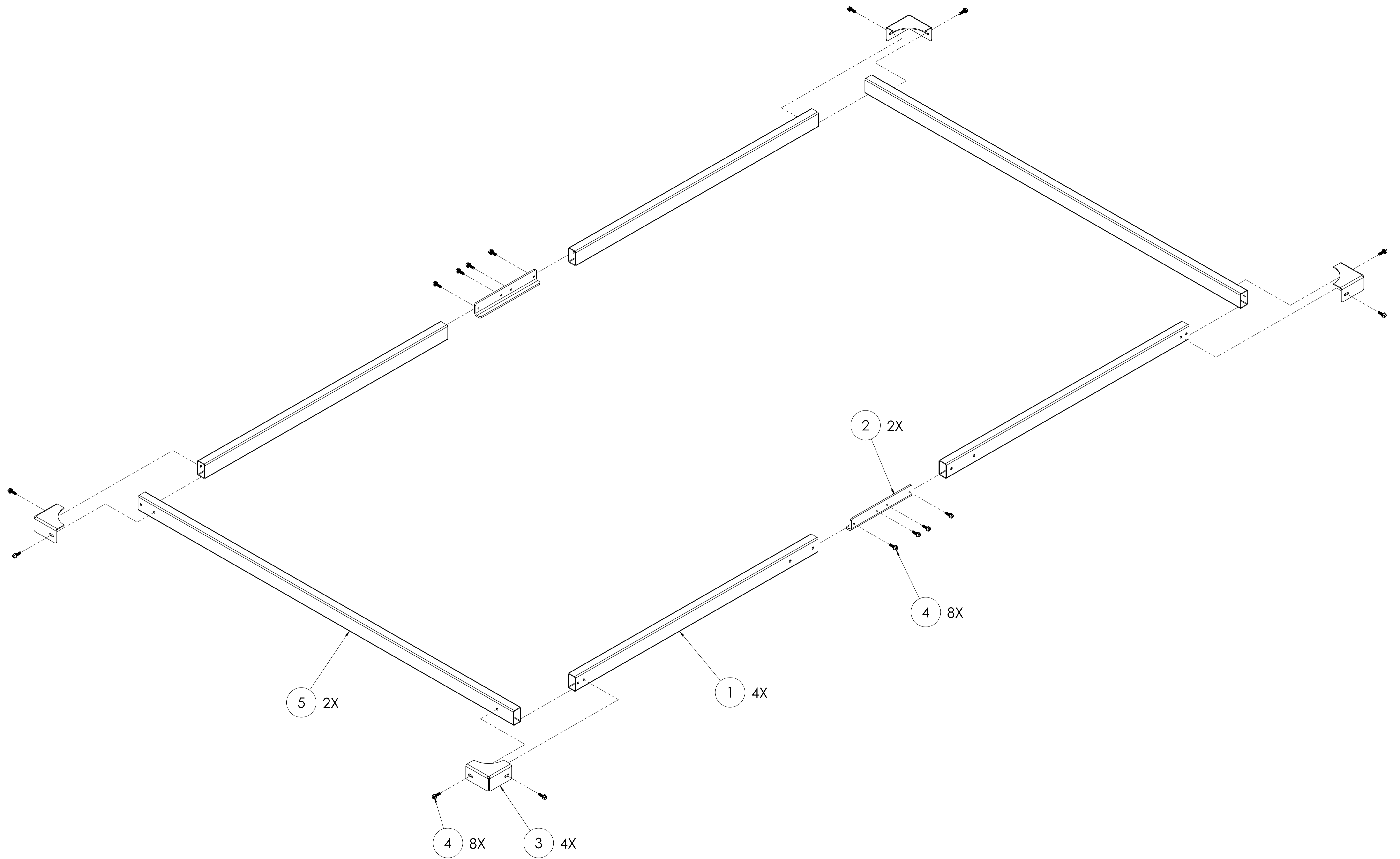


MATRIX

DWG NO.	MG-RP86-06 SERVICE		
DESCRIPTION:	STAND ALONE RUBBER PLATFORM (Racks & Platforms)		
DRAWN BY:	LG	DATE:	2019.DEC.26
UPDATED BY:		DATE:	



MATRIX

DWG NO.		161-474 SERVICE	
DESCRIPTION: PLATFORM RAIL KIT - FREESTANDING (Racks & Platforms)			
DRAWN BY:	LG	DATE:	2019.DEC.19
UPDATED BY:		DATE:	