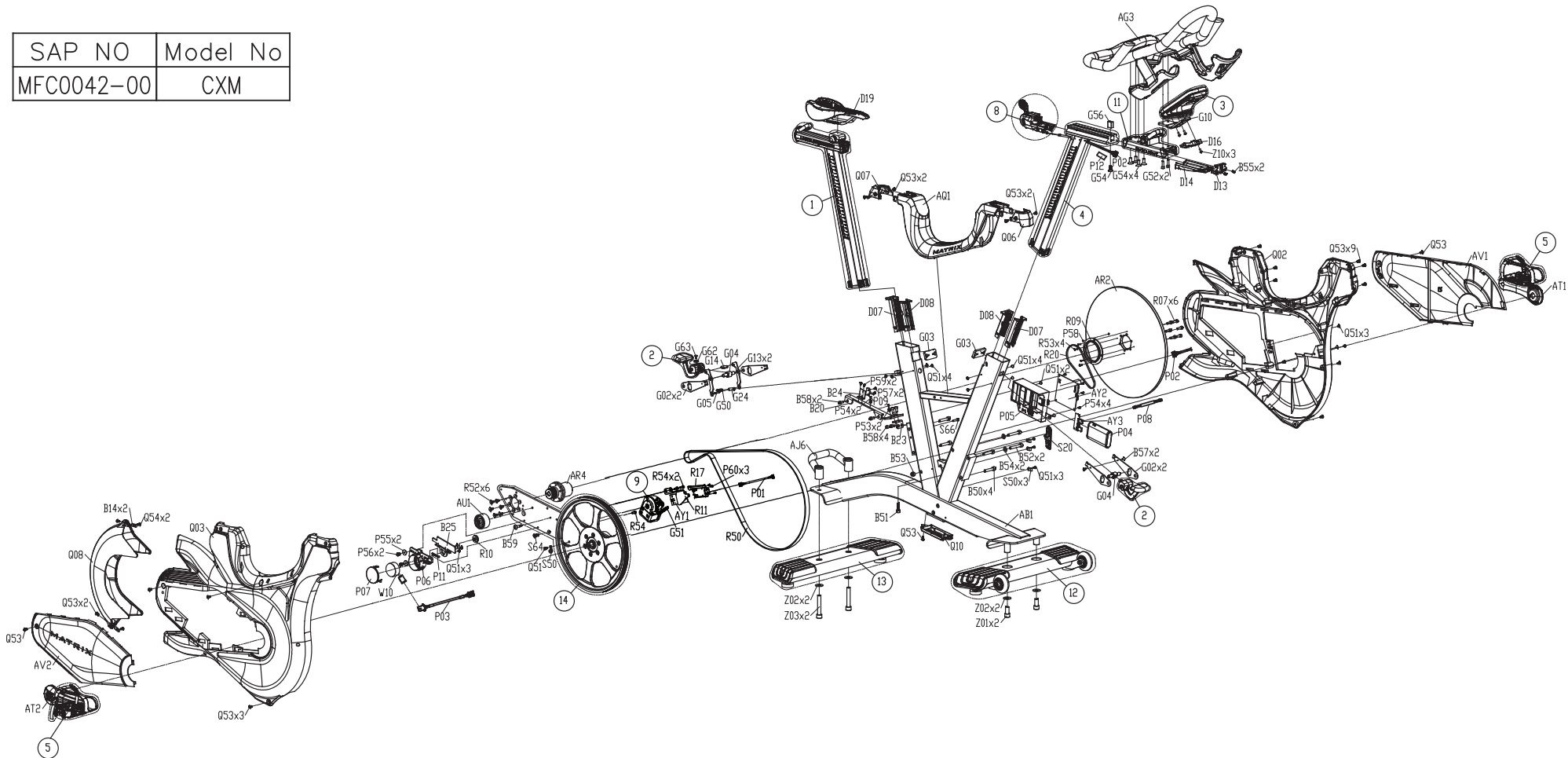
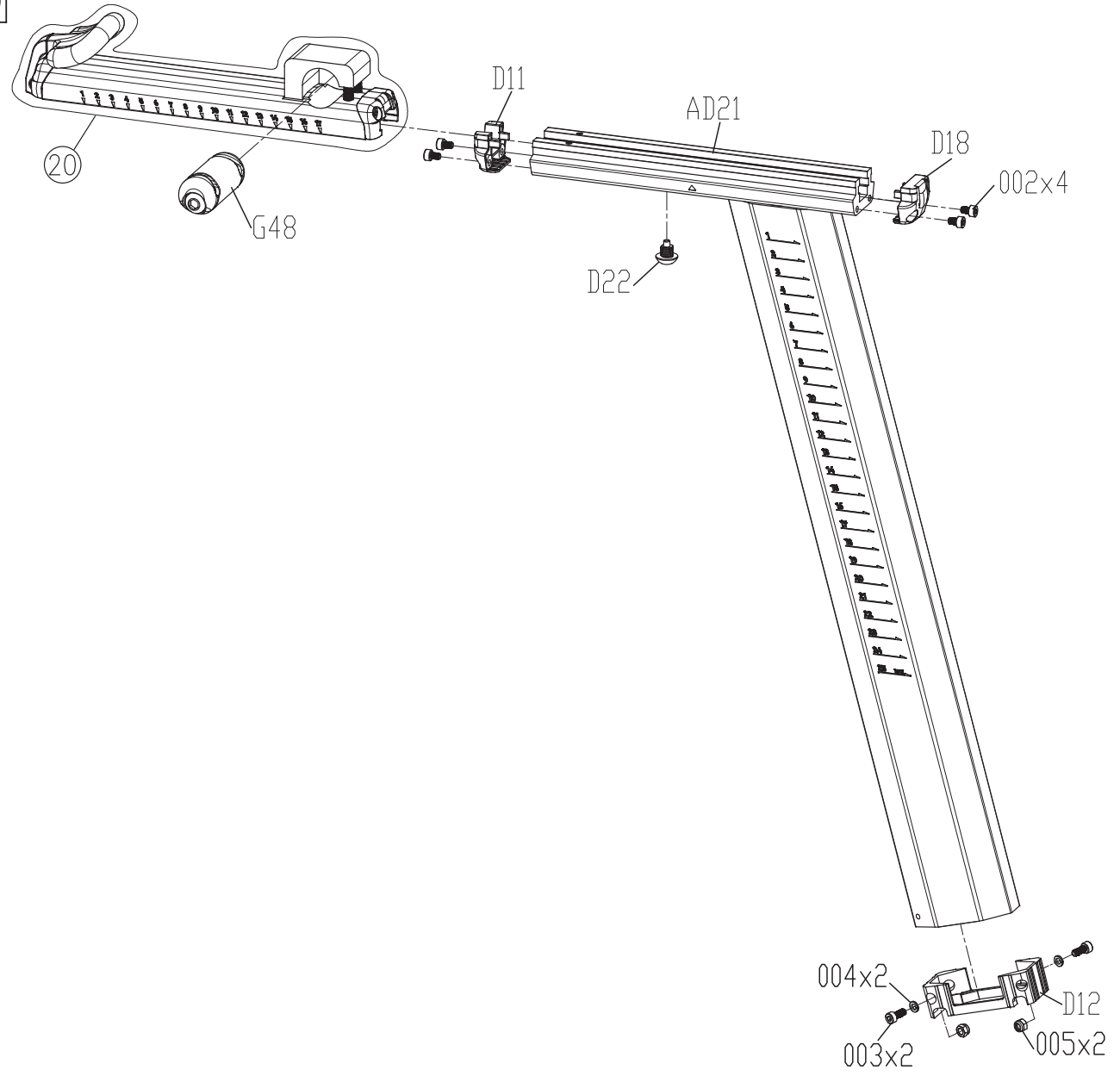


DRAWING NO	FC23-A04		
PART NAME	Exploded view;Semi-Assy		
PART NO	1000405826 E		
APPROVE	Benson	DATE	20180730

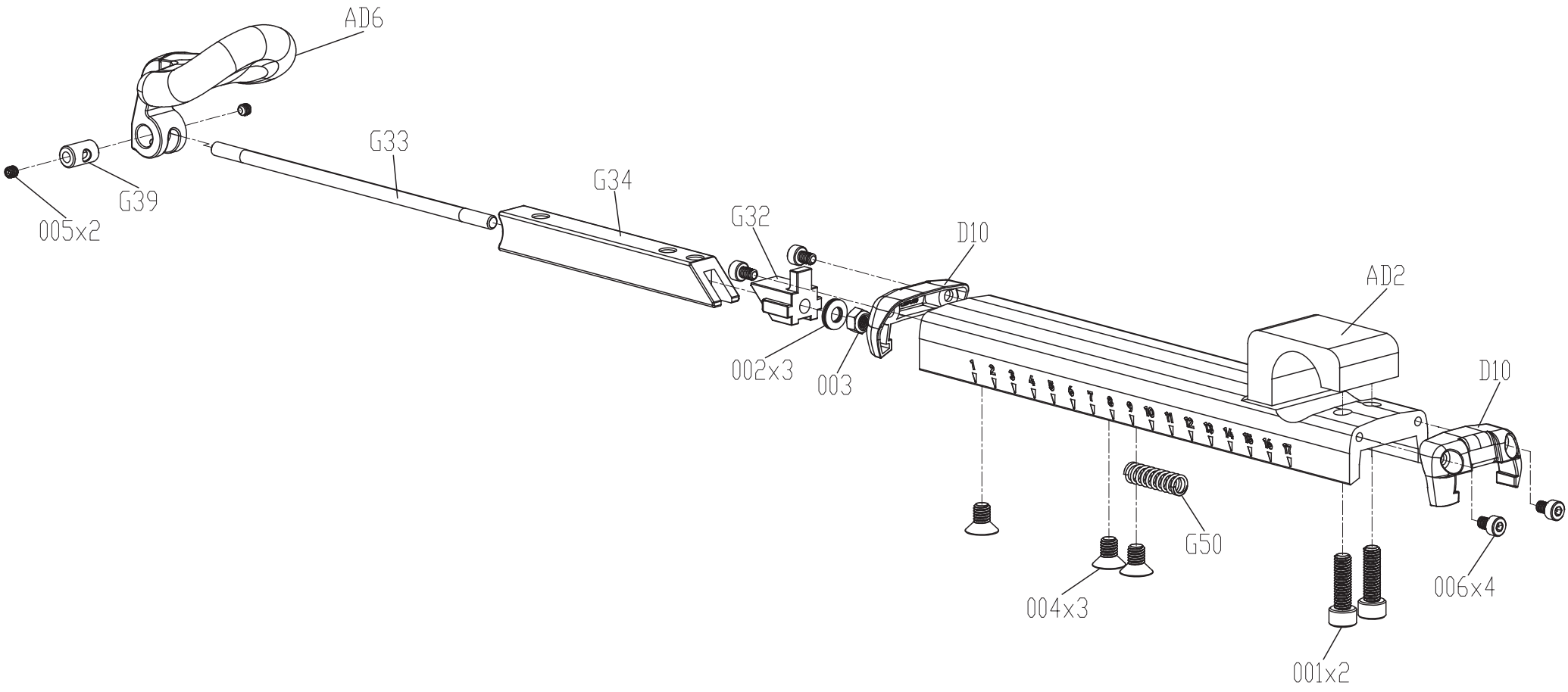
SAP NO	Model No
MFC0042-00	CXM



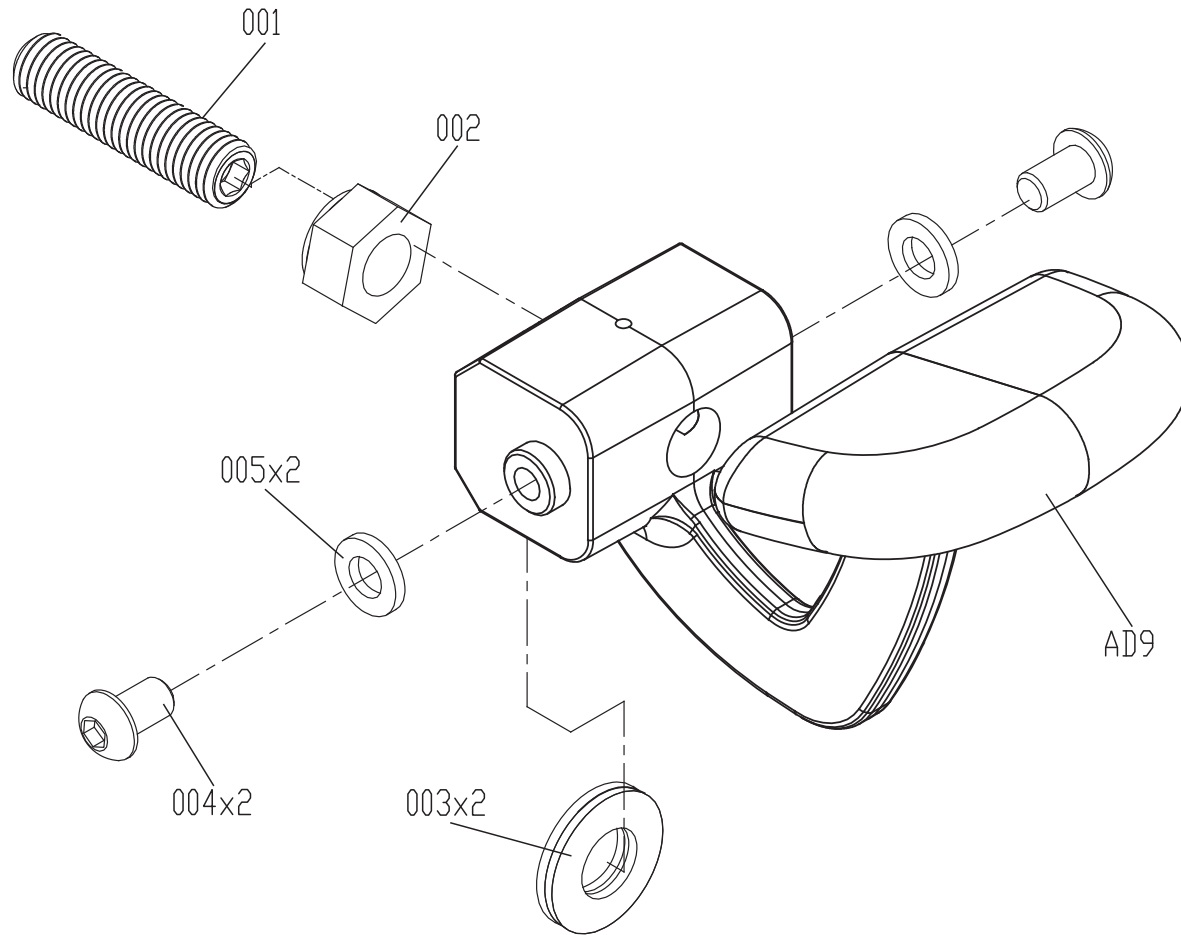
DRAWING NO	FC20-AD11		
PART NAME	Seat Post Set		
PART NO	1000404510	REV	C
APPROVE	Benson	DATE	20180629



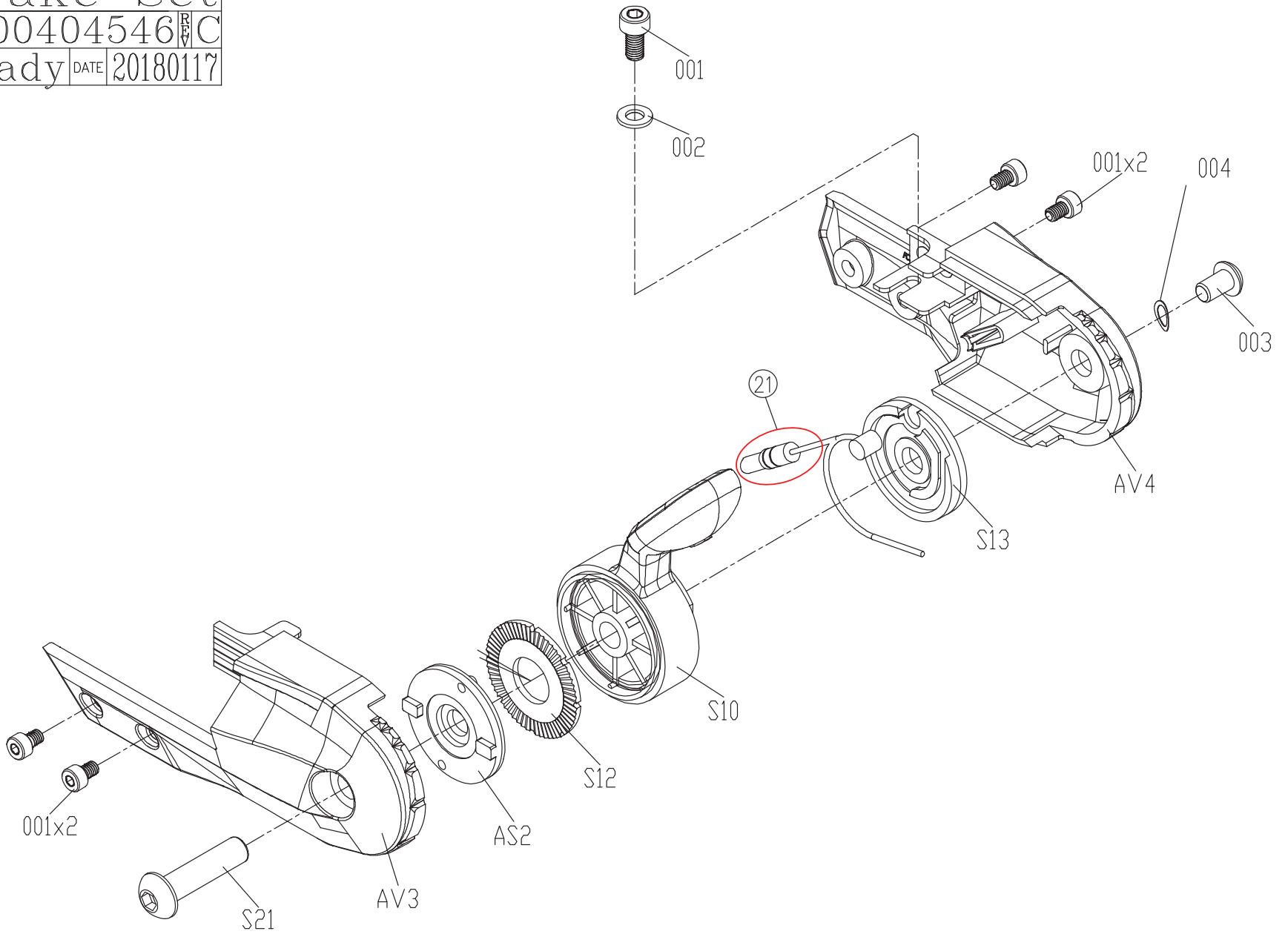
DRAWING NO	FC20-AD12		
PART NAME	Seat Pad Adjustable Set		
PART NO	1000404511		C
APPROVE	Benson	DATE	20181113



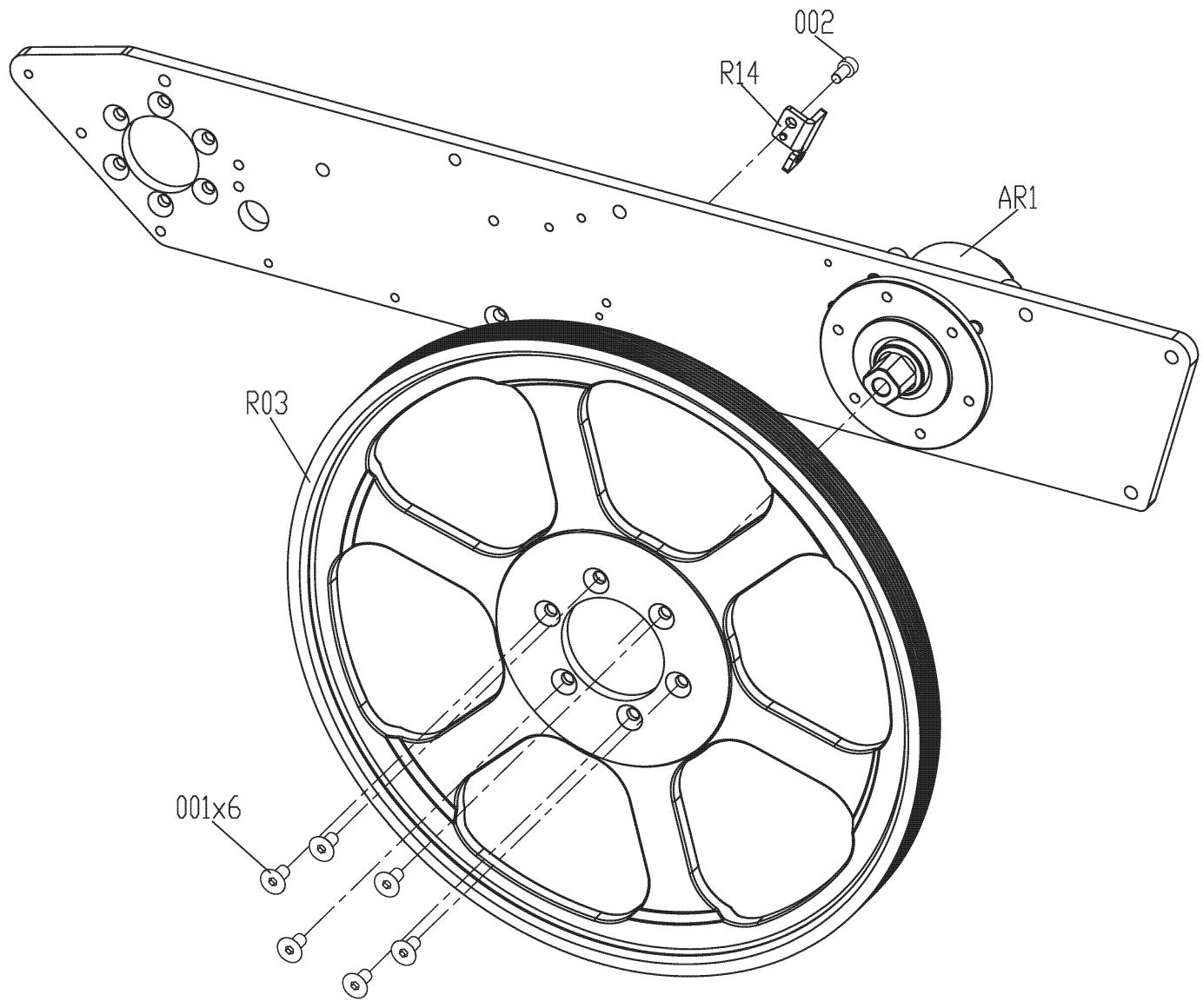
DRAWING NO	FC20-AD13		
PART NAME	Adjustable Handle Group; Cushions		
PART NO	1000404542  B		
APPROVE	Benson	DATE	20170915



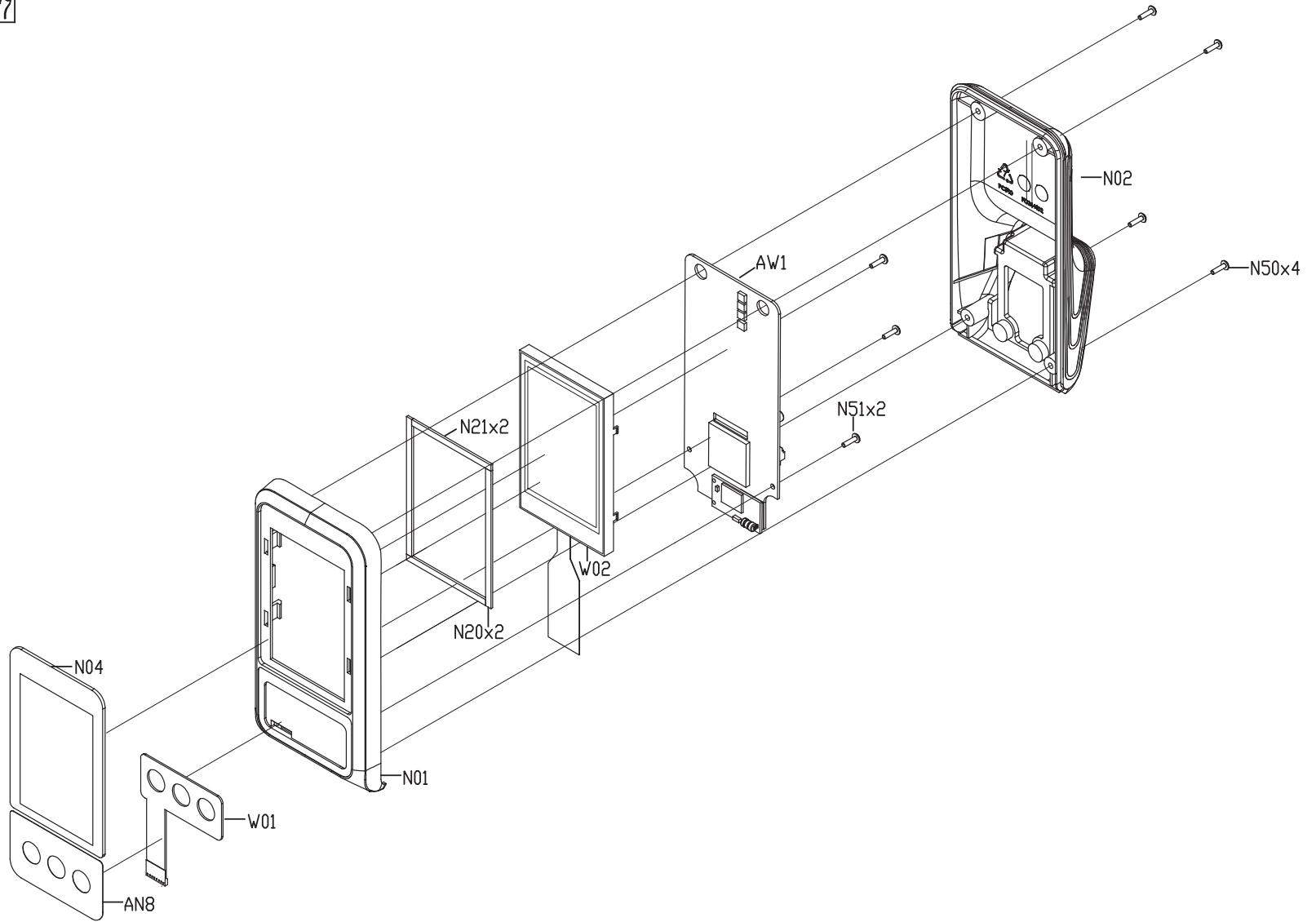
DRAWING NO	FC20-AS1		
PART NAME	Brake Set		
PART NO	1000404546		
APPROVE	Heady	DATE	20180117



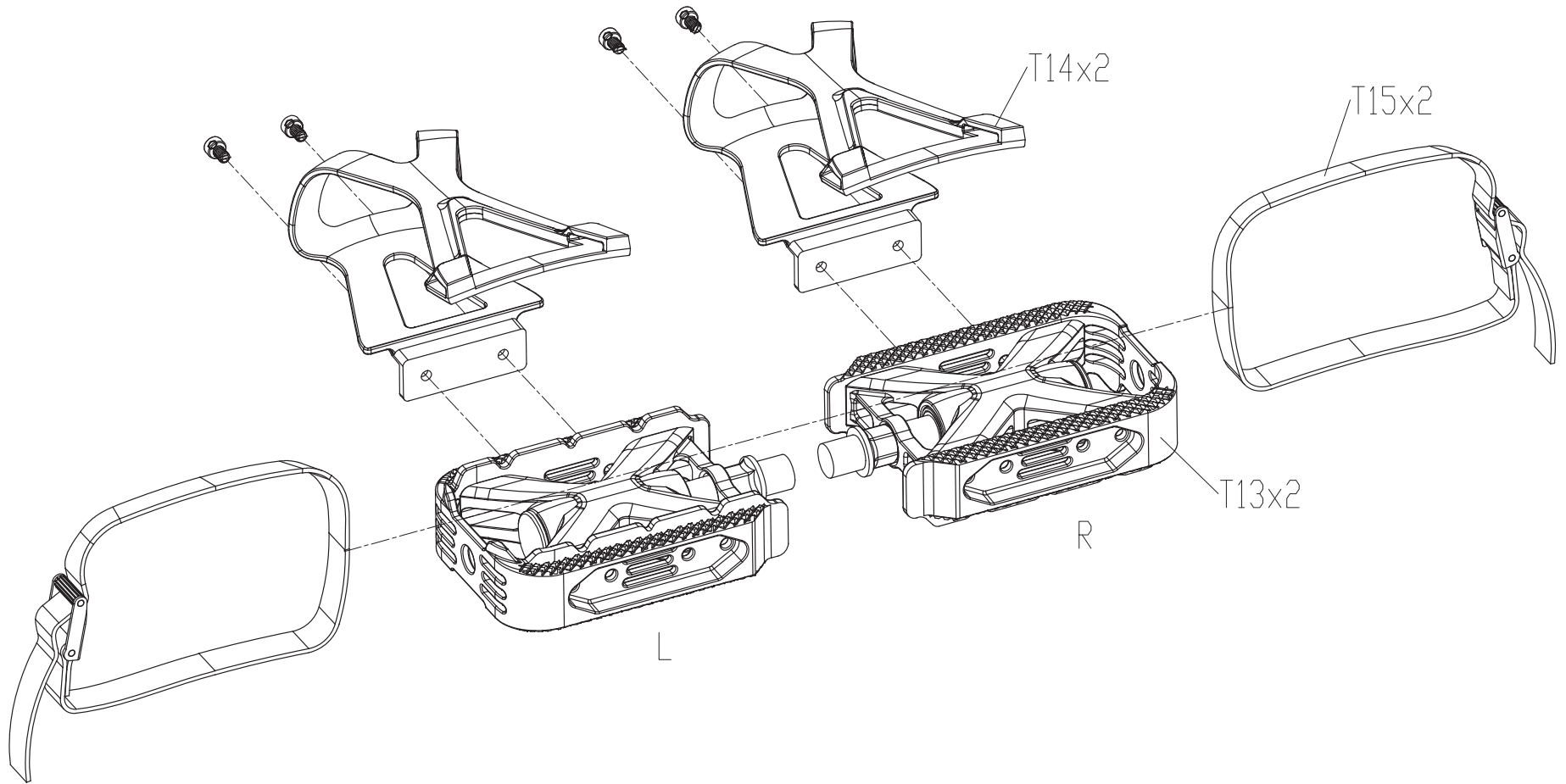
DRAWING NO	FC20-AR11		
PART NAME	Driver Set		
PART NO	1000404565		B
APPROVE	Benson	DATE	20170915



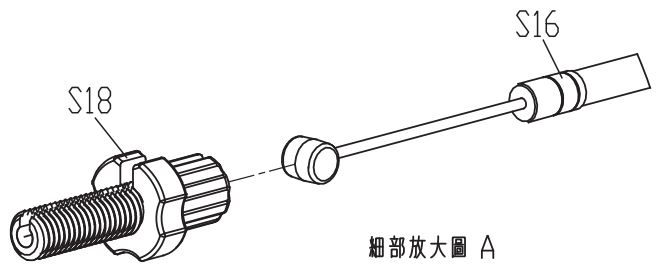
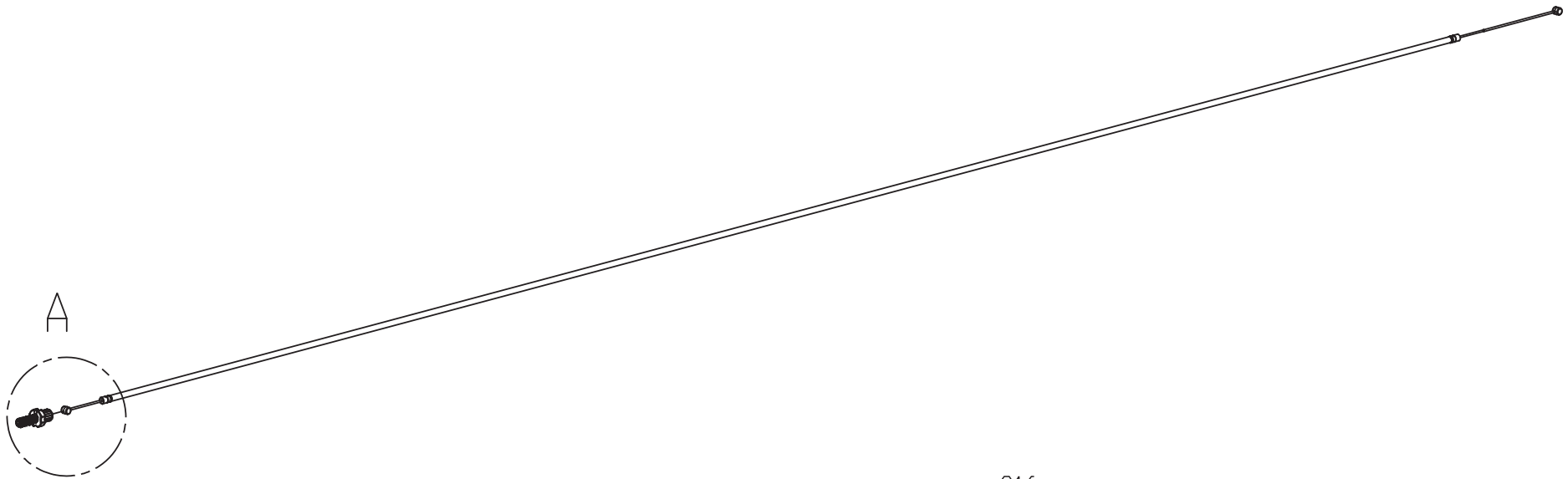
DRAWING NO	FC23-AN1		
PART NAME	Console set;Semi-Assy		
PART NO	1000405626	REV	B
APPROVE	RAINSTOP	DATE	103117



DRAWING NO	FC20-AT3		
PART NAME	Pedal set;;;;;FC20;		
PART NO	1000407040 R C		
APPROVE	Benson	DATE	20180314

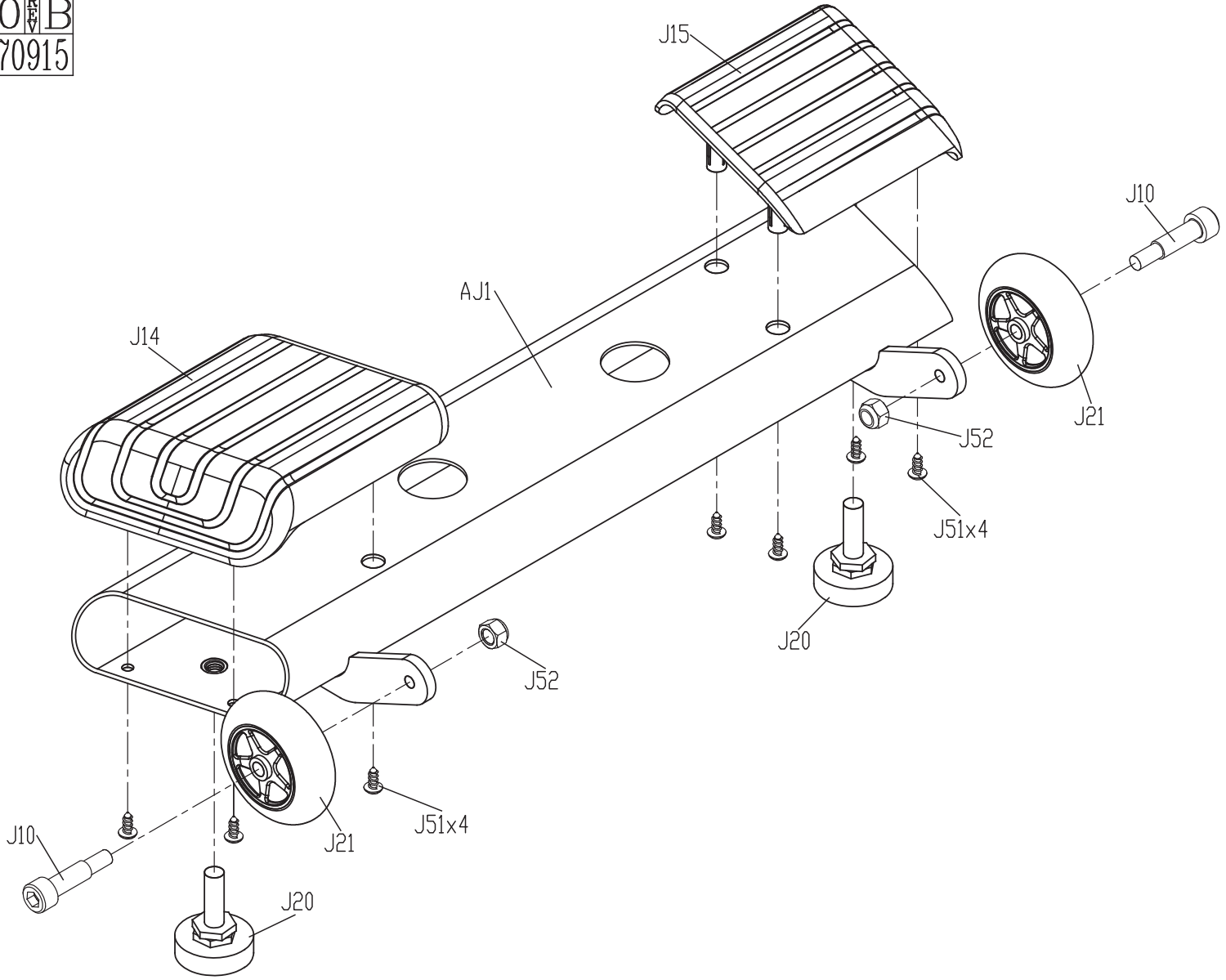


DRAWING NO	FC20-AS3		
PART NAME	Steel Rope Set		
PART NO	1000407255 A		
APPROVE	Benson	DATE	20170915

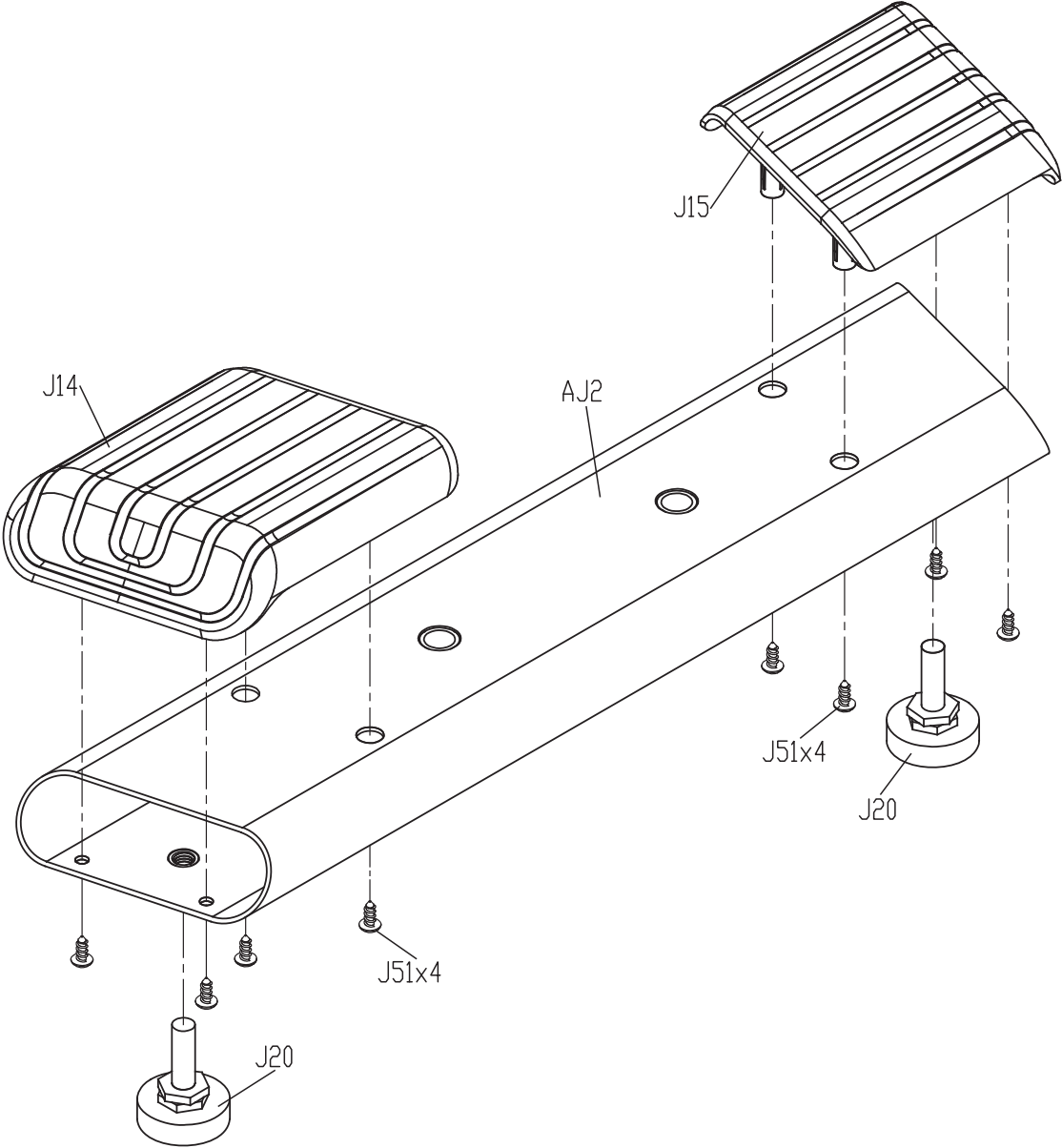


細部放大圖 A
比例 1:1

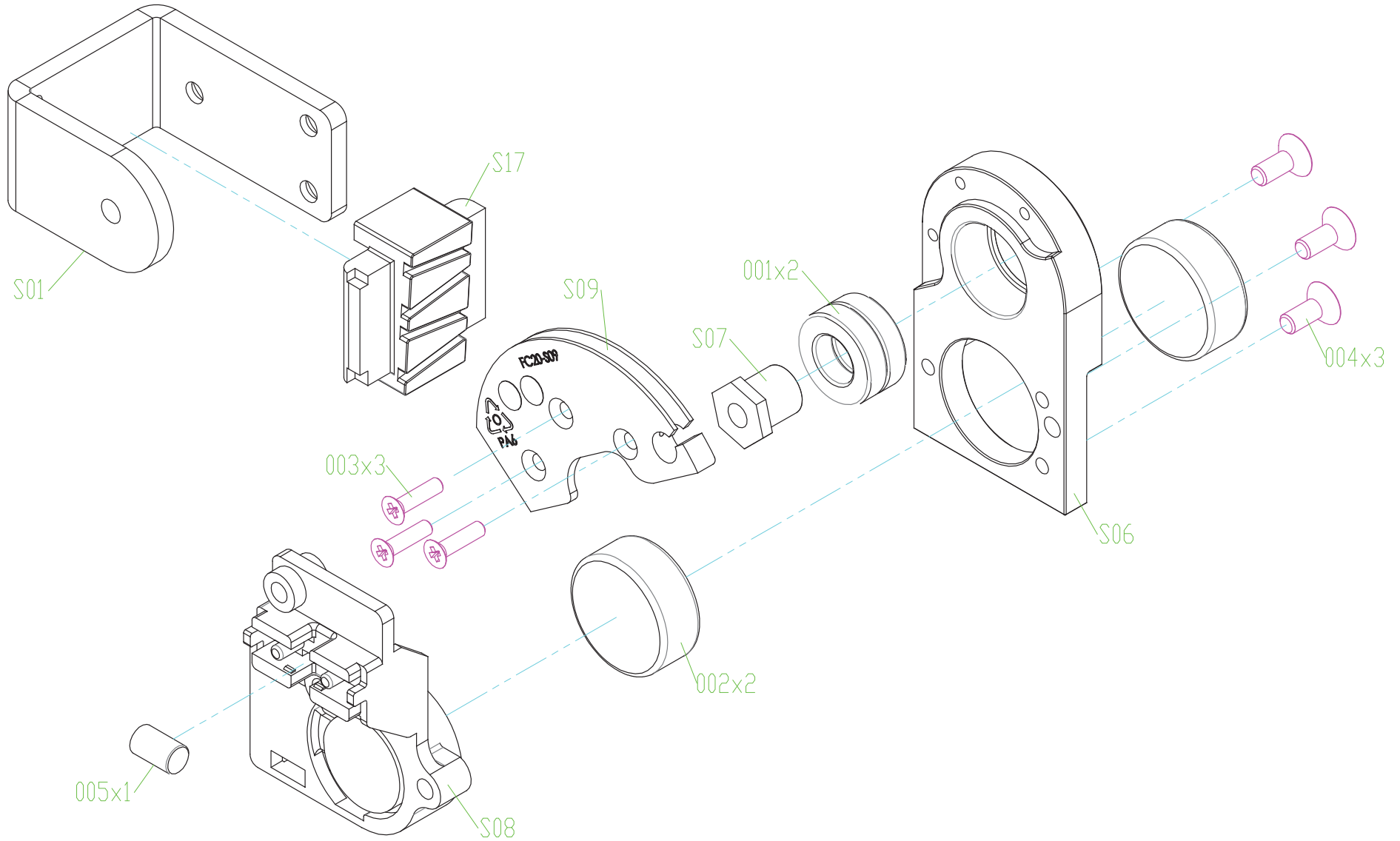
DRAWING NO	FC20-AJ11		
PART NAME	Stabilizer Tube Set;front		
PART NO	1000411450 B		
APPROVE	Benson	DATE	20170915



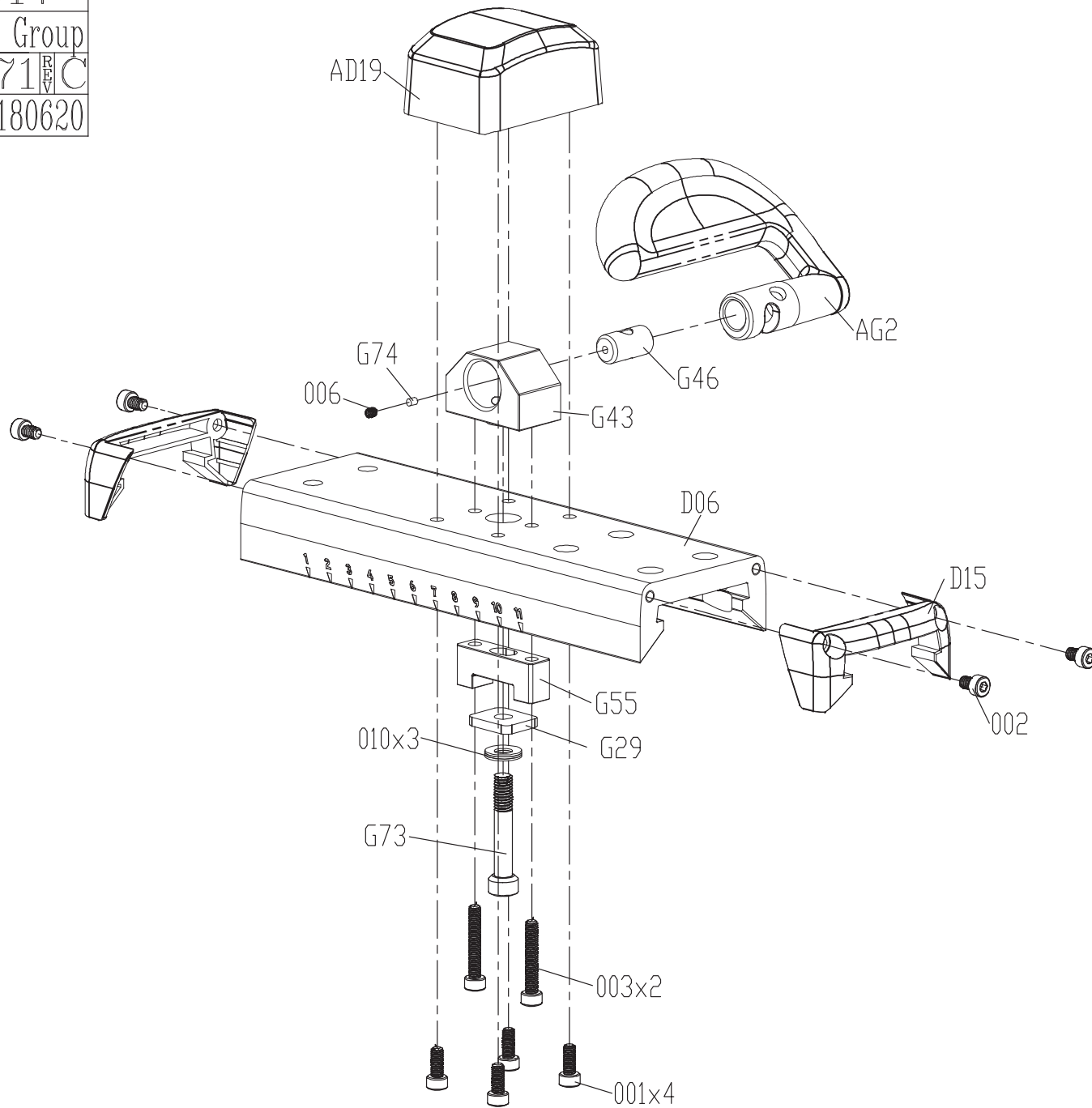
DRAWING NO	FC20-AJ12		
PART NAME	Stabilizer Tube Set;back		
PART NO	1000411451		B
APPROVE	Benson	DATE	20170915




DRAWING NO	FC24-AS5		
PART NAME	flywheel Set;ECB		
PART NO	1000418109	REV	B
APPROVE	BENSON	DATE	20171206



DRAWING NO	FC24-AD17		
PART NAME	Adjustable Handle Group		
PART NO	1000421471	REV	C
APPROVE	Benson	DATE	20180620



DRAWING NO	FC23-AD15		
PART NAME	Handlebar Set; Fixing		
PART NO	1000426669  C		
APPROVE	Benson	DATE	20180702

