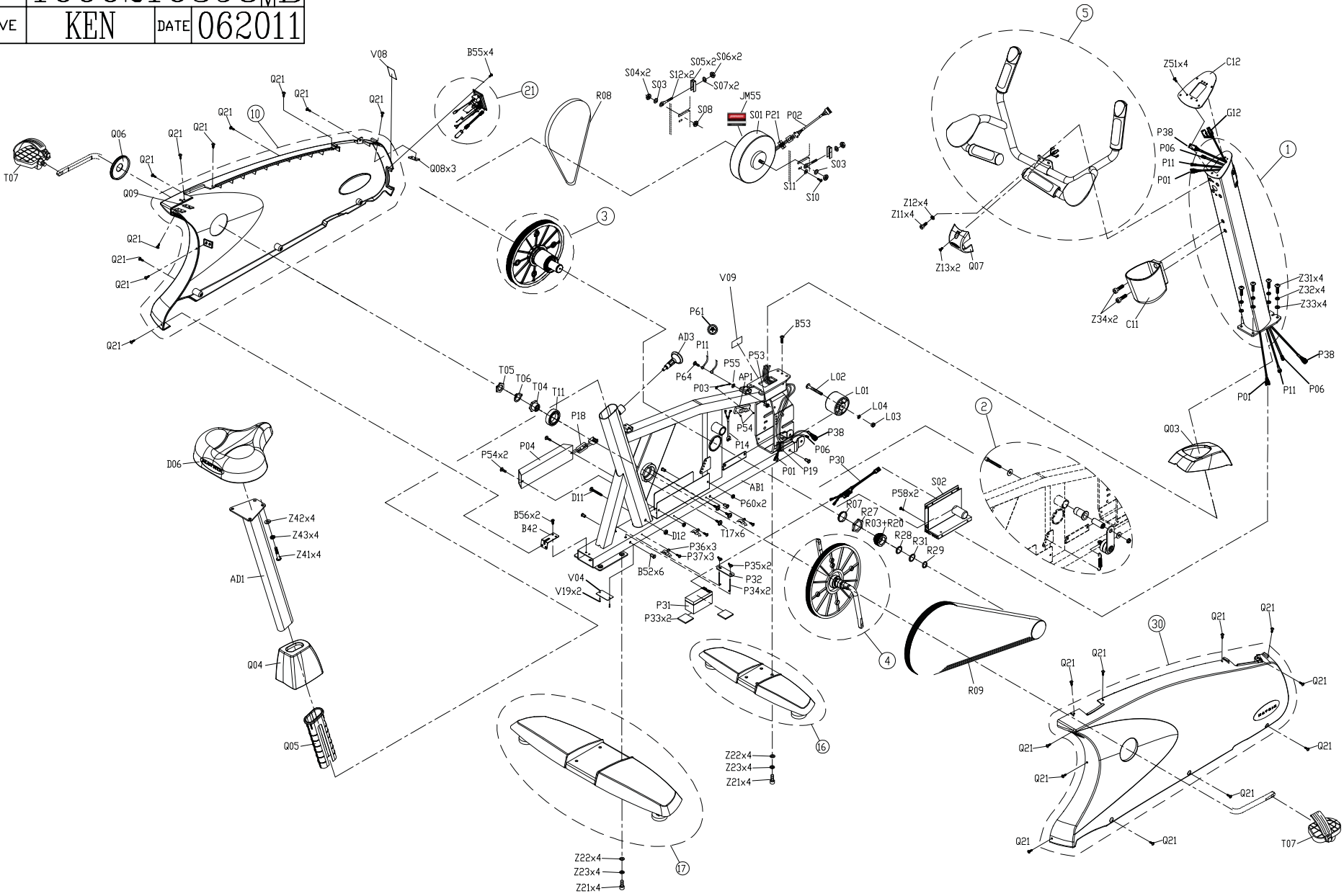
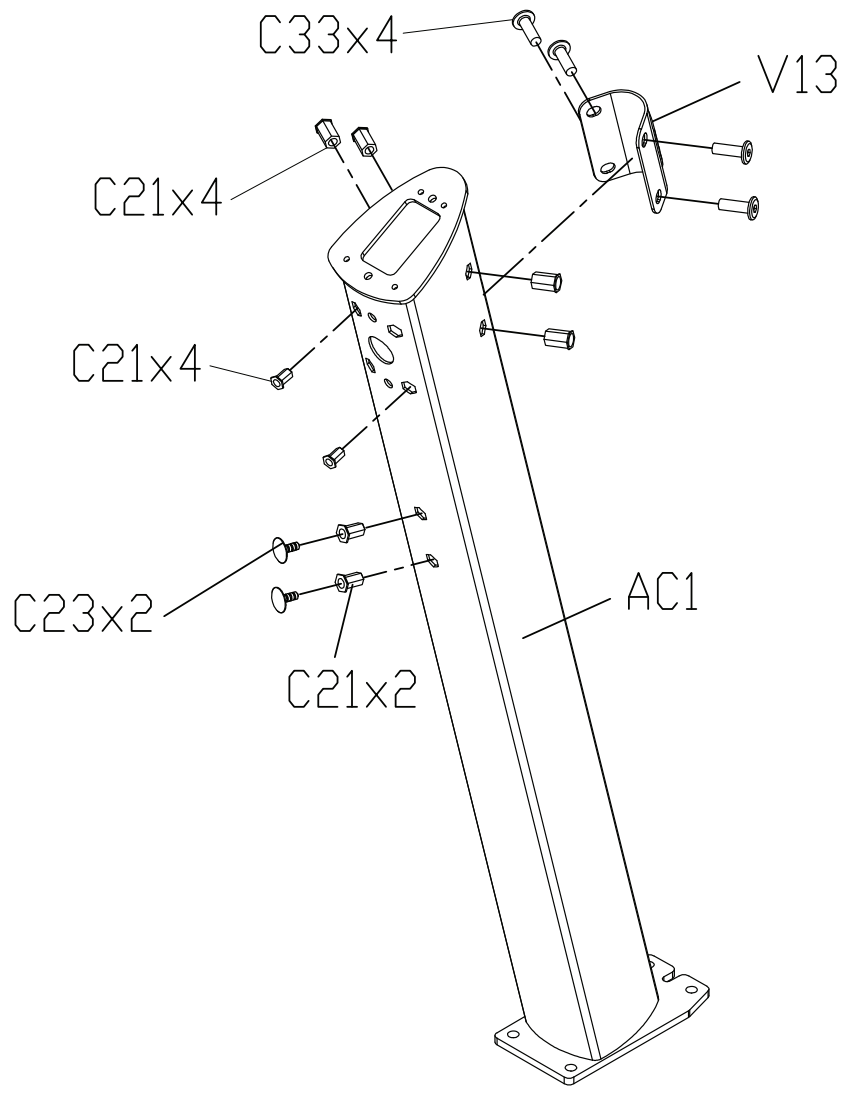


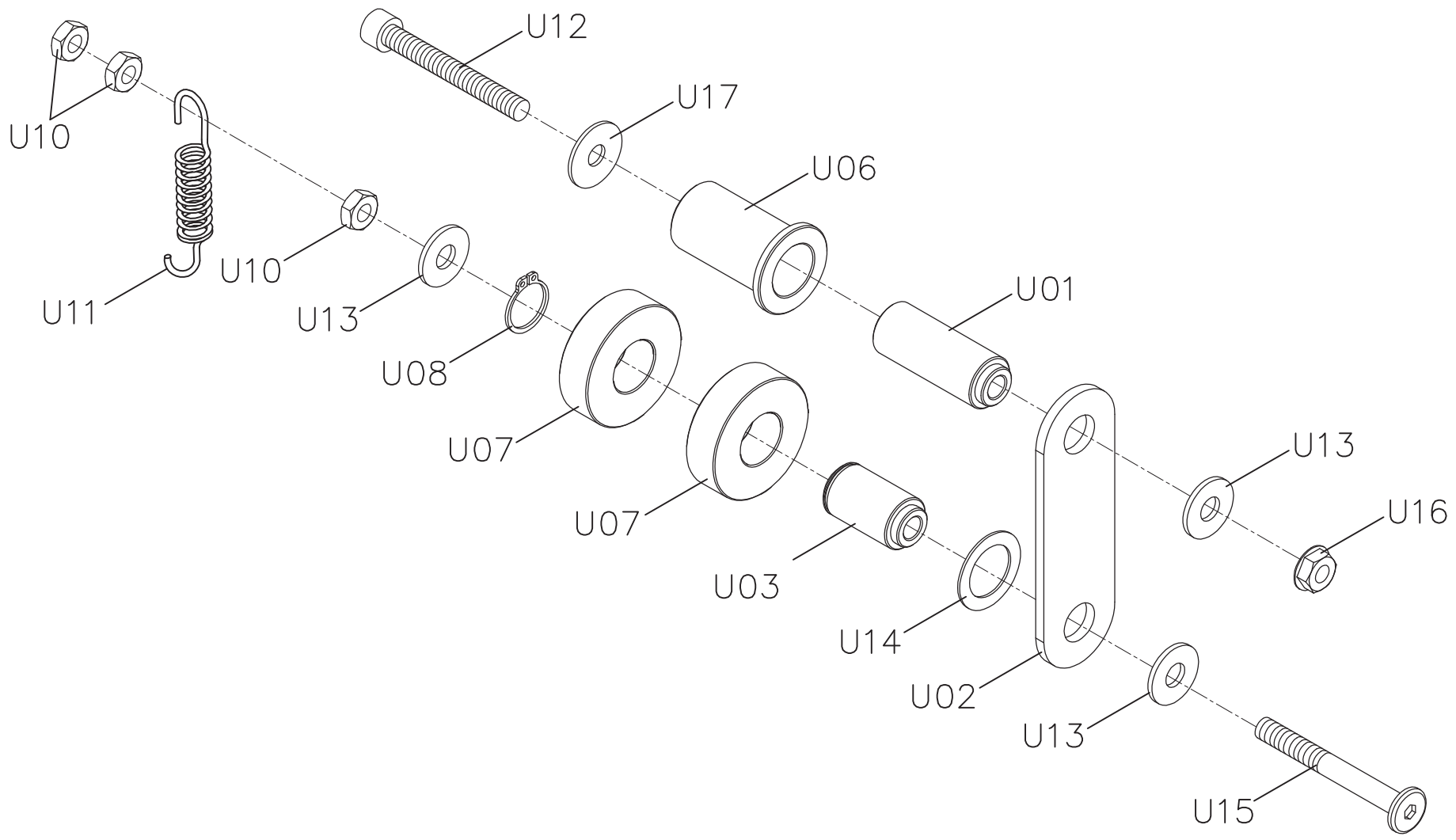
DRAWING NO	CB75B-A04		
PART NAME	Explosive Rendering		
PART NO	1000216398		
APPROVE	KEN	DATE	062011



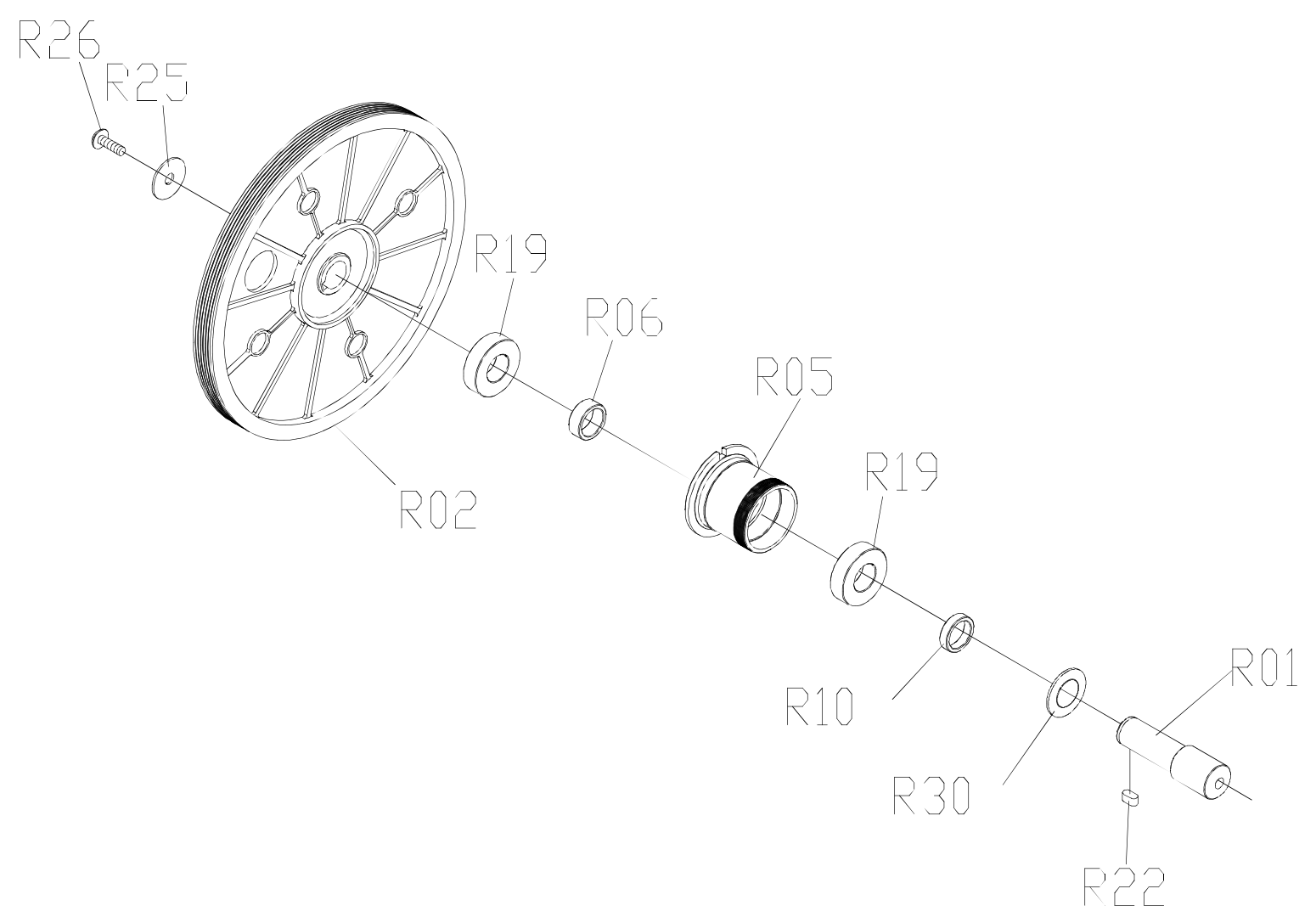
DRAWING NO	CB75B-AC13		
PART NAME	Console Mast set		
PART NO	1000216401REV A		
APPROVE	KEN	DATE	050311



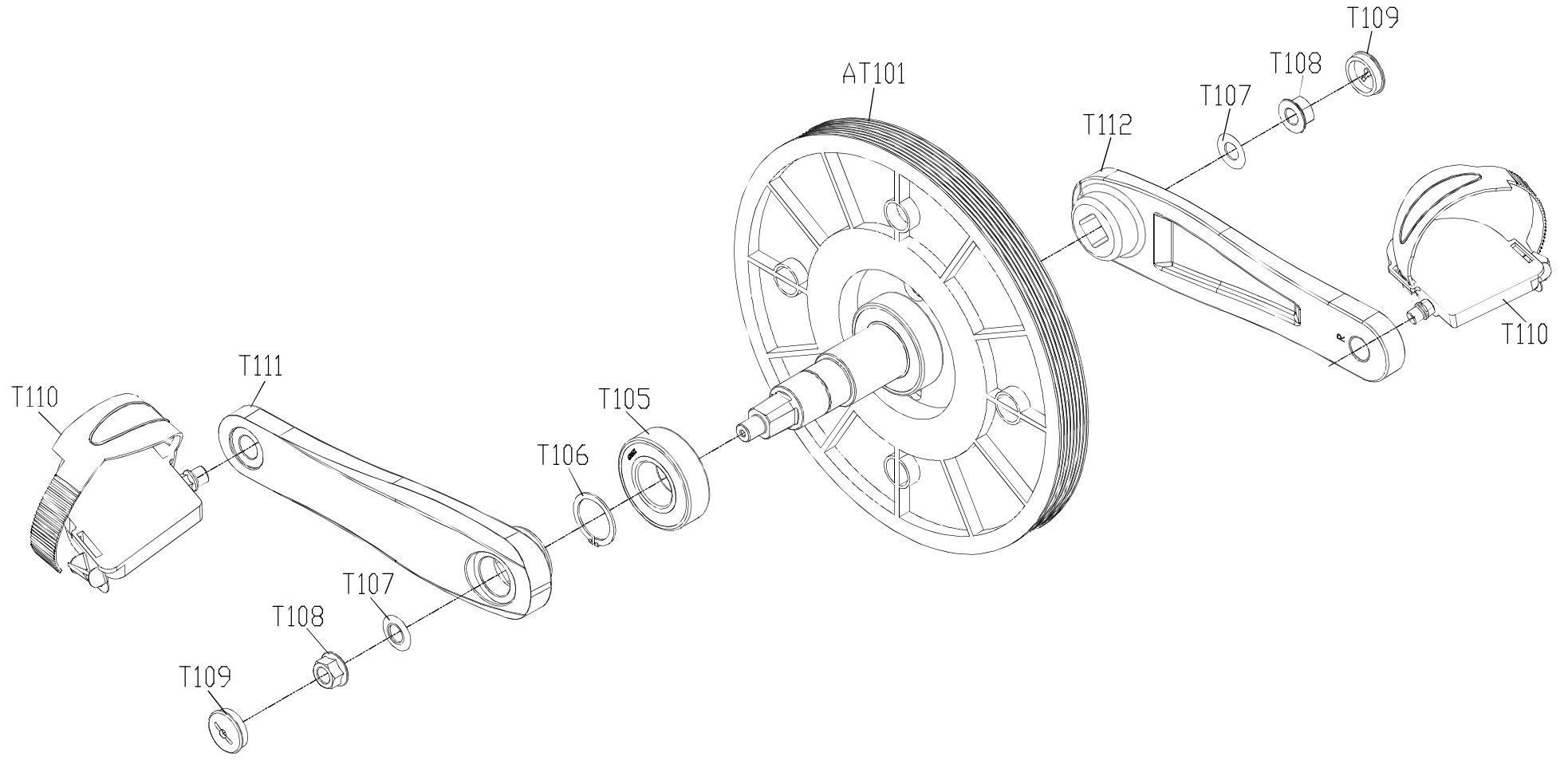
DRAWING NO 圖 號	CB75-AU3
PART NAME(CH) 零件名稱(中文)	履帶力車命系且
PART NAME(EN) 零件名稱(英文)	Idler Set
SAP PART NO SAP料號	0000095397 B



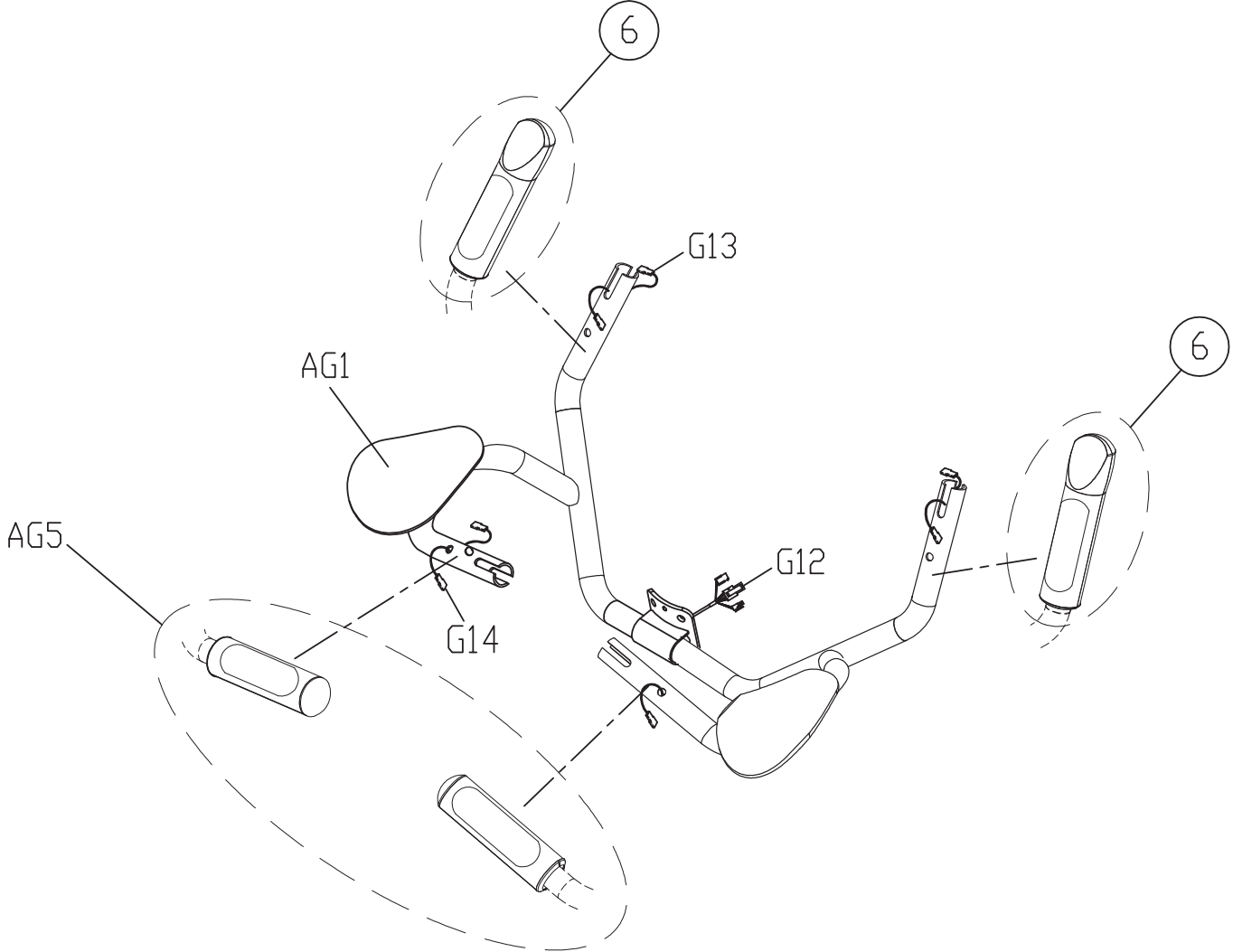
DRAWING NO	CB75-AR2		
PART NAME	Transmission Set		
PART NO	0000090873		
APPROVE	sammi	DATE	20140813



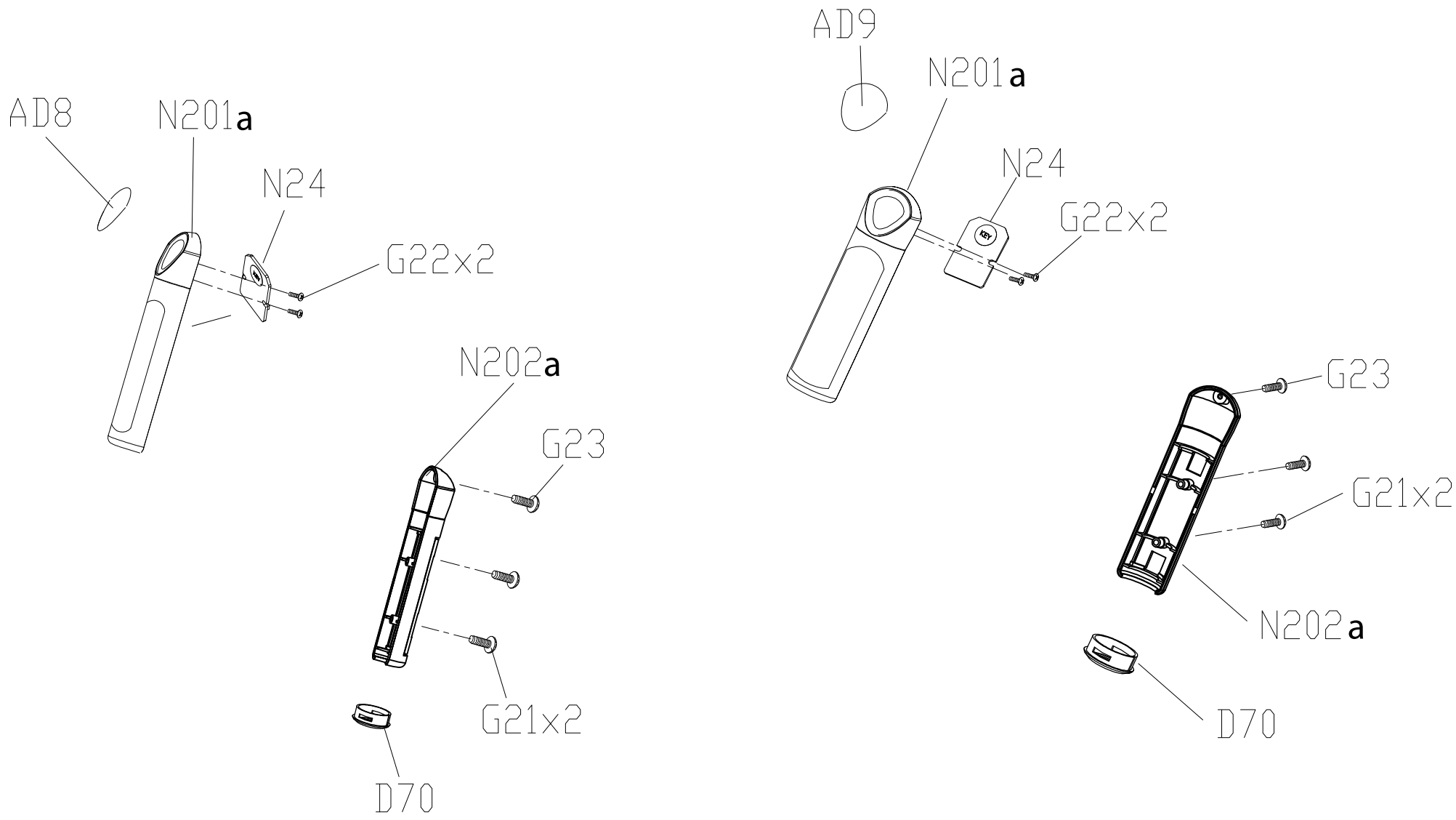
DRAWING NO	CB72-AT100		
PART NAME	Pedal Axle Set;+Crank		
PART NO	1000387880	REV	C
APPROVE	Lewis	DATE	053016



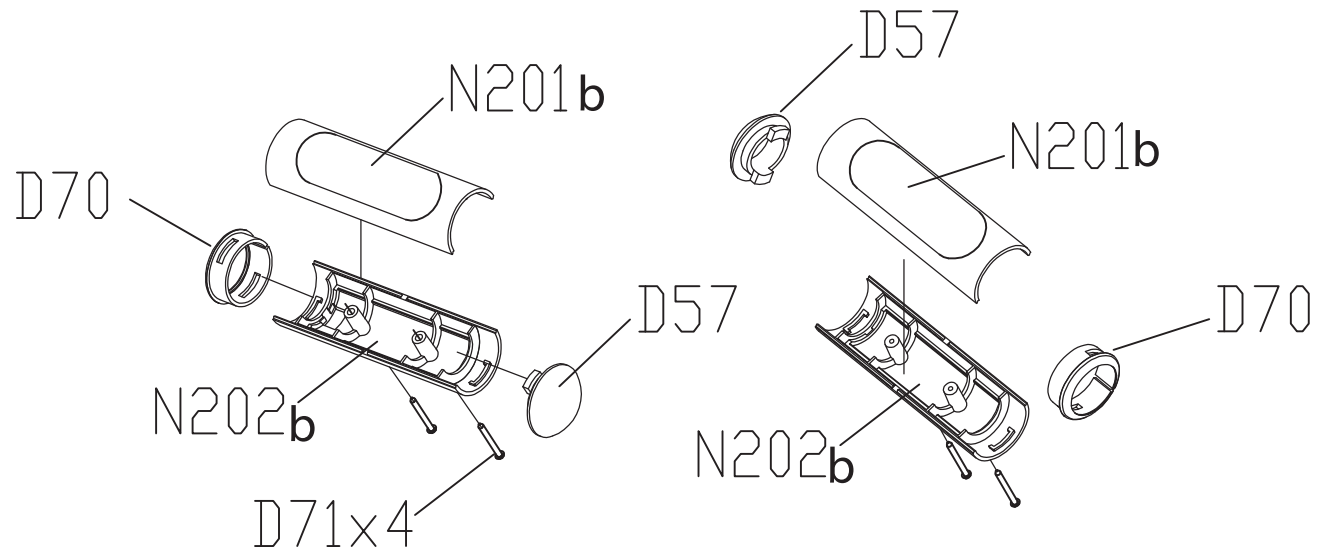
DRAWING NO	CB75-AG6		
PART NAME	Handlebar Set		
PART NO	As Attachment		
APPROVE	SHUYI	DATE	2010.12.08



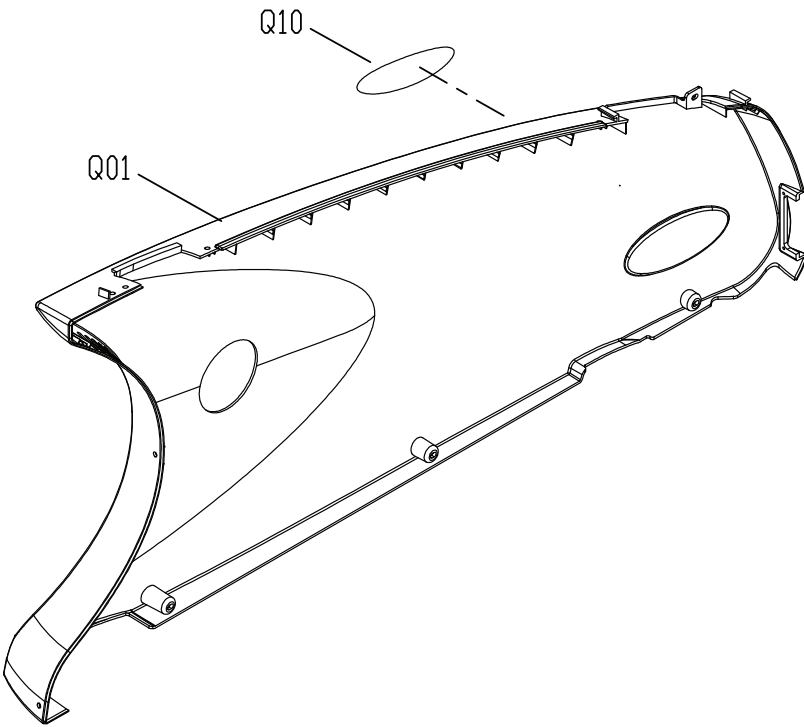
DRAWING NO	CB72-AC16		
PART NAME	Sensor Set;Right		
PART NO	As Attachment		
APPROVE	Rain	DATE	2011.04.28



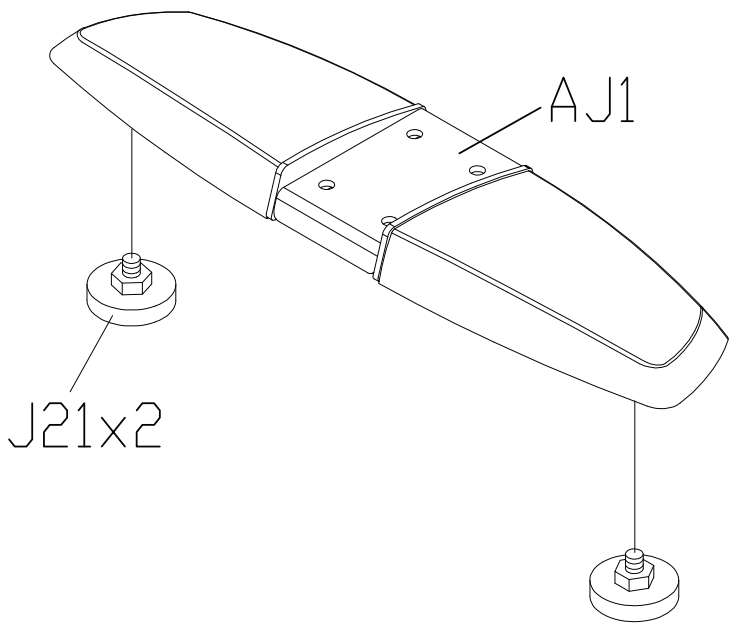
DRAWING NO	
圖號	
PART NAME(CH)	握管組;感應器;心跳
零件名稱(中文)	
PART NAME(EN)	Grip Set;Sensor
零件名稱(英文)	
SAP PART NO	0000089923
SAP料號	0000089923



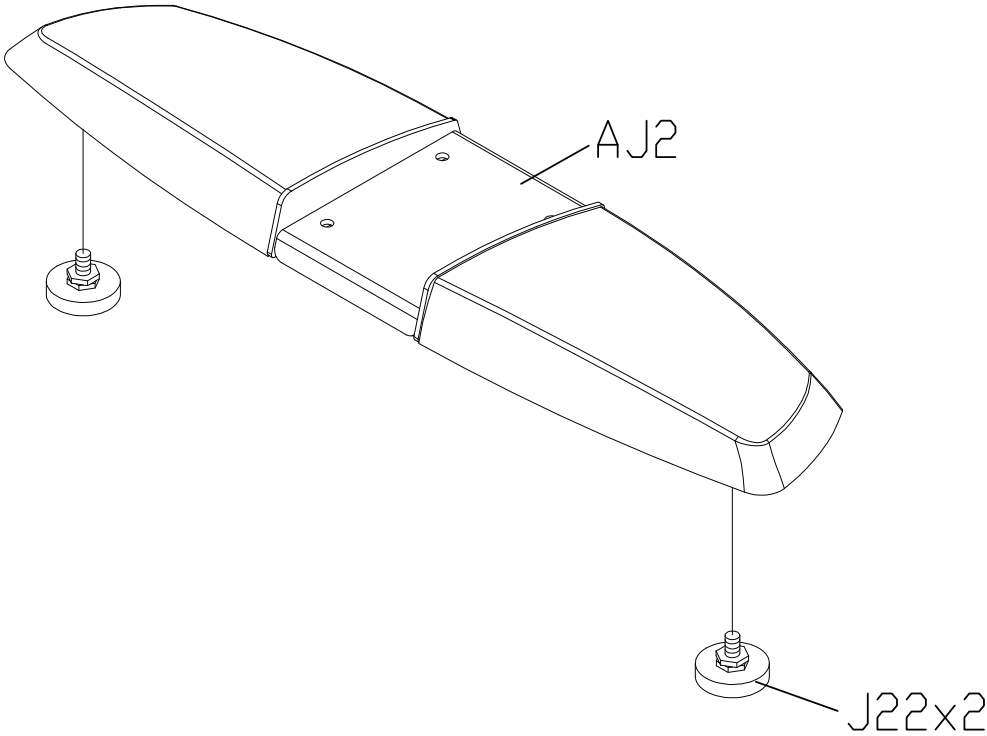
DRAWING NO	CB75B-AQ21		
PART NAME	Cover set;Left		
PART NO	1000216408	REV	A
APPROVE	KEN	DATE	050311



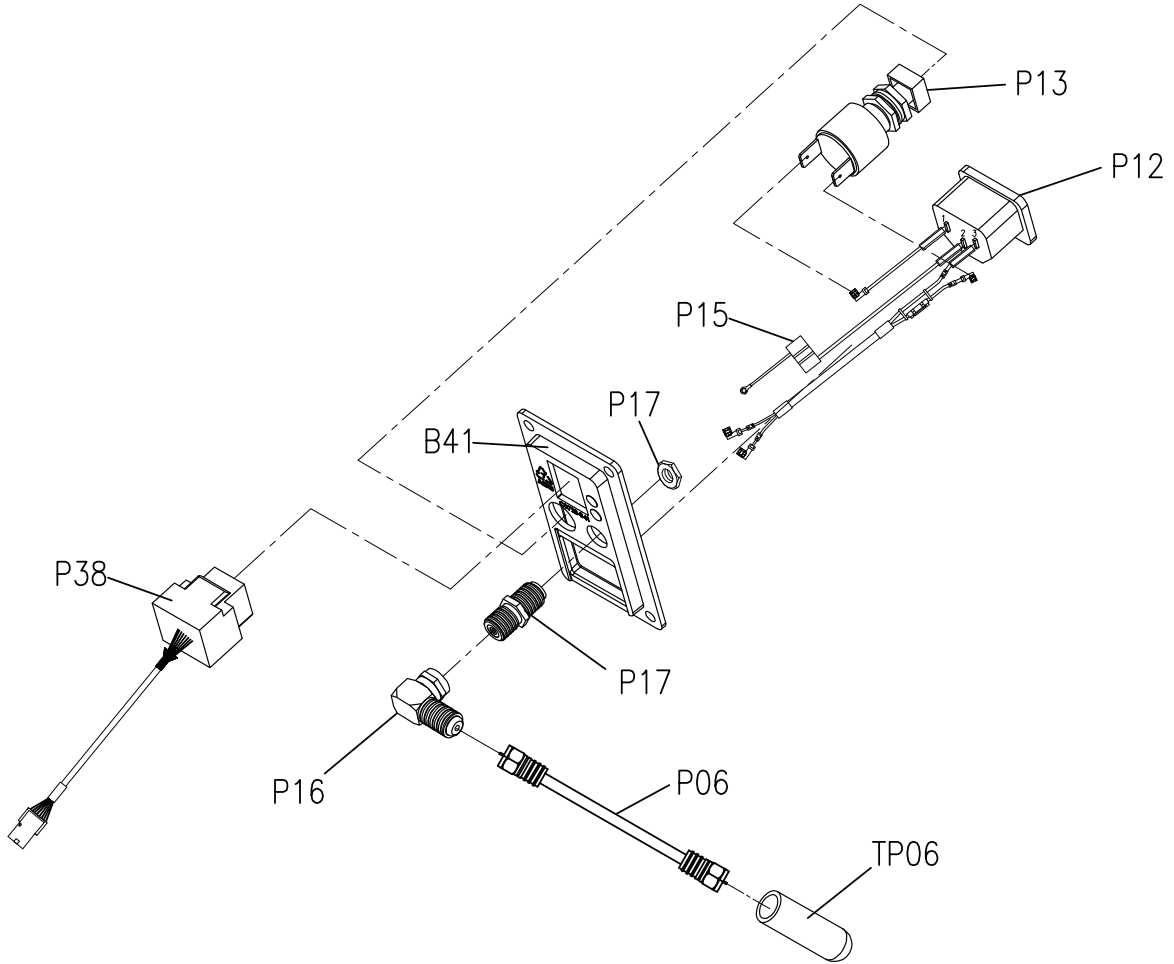
DRAWING NO	CB72-AJ11		
PART NAME	Stabilize SET;Front		
PART NO	0000090810 <small>REV</small> B		
APPROVE	SHUYI	DATE	2010.12.03



DRAWING NO	CB72-AJ12		
PART NAME	Stabilize SET;Rear		
PART NO	0000090809		
APPROVE	SHUYI	DATE	2010.12.03



DRAWING NO	CB75B-AP2		
PART NAME	Fix Plate Set;E-Port		
PART NO	1000216406 <small>REV</small> A		
APPROVE	KEN	DATE	050311



DRAWING NO	CB75B-AQ22		
PART NAME	Cover set;Right		
PART NO	1000216411	REV	A
APPROVE	KEN	DATE	050311

