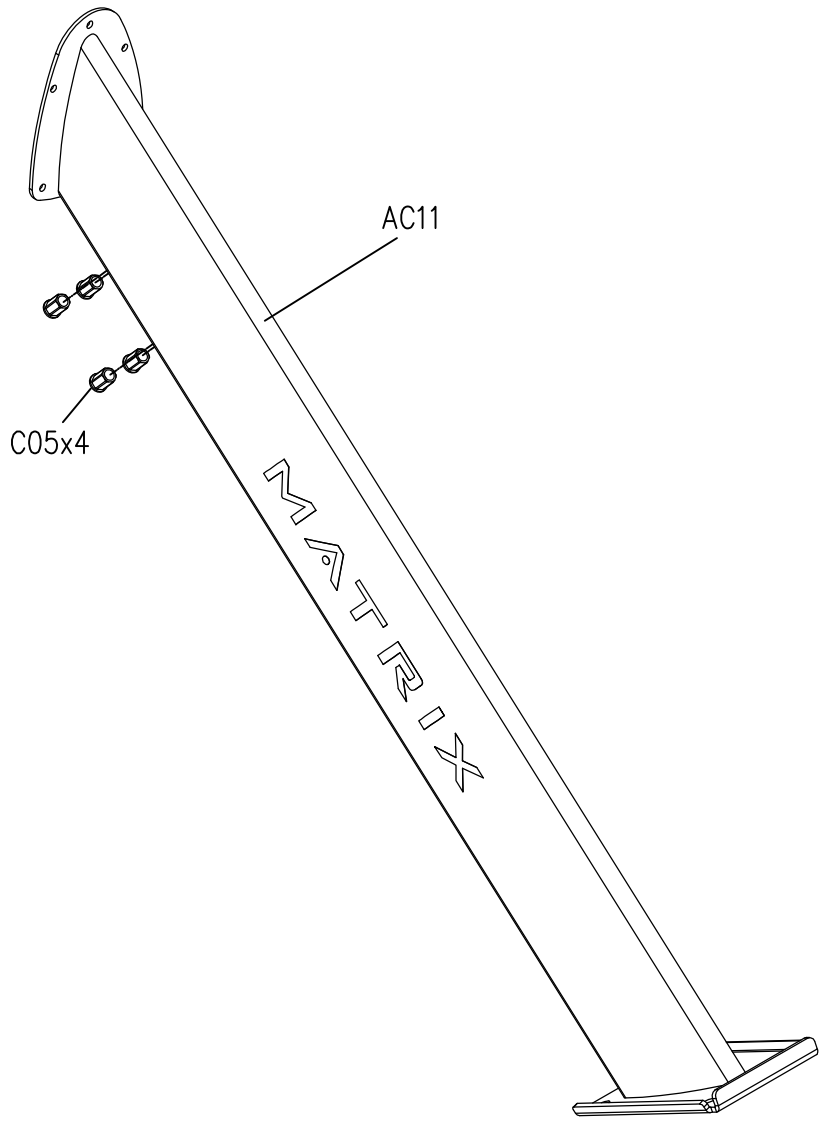
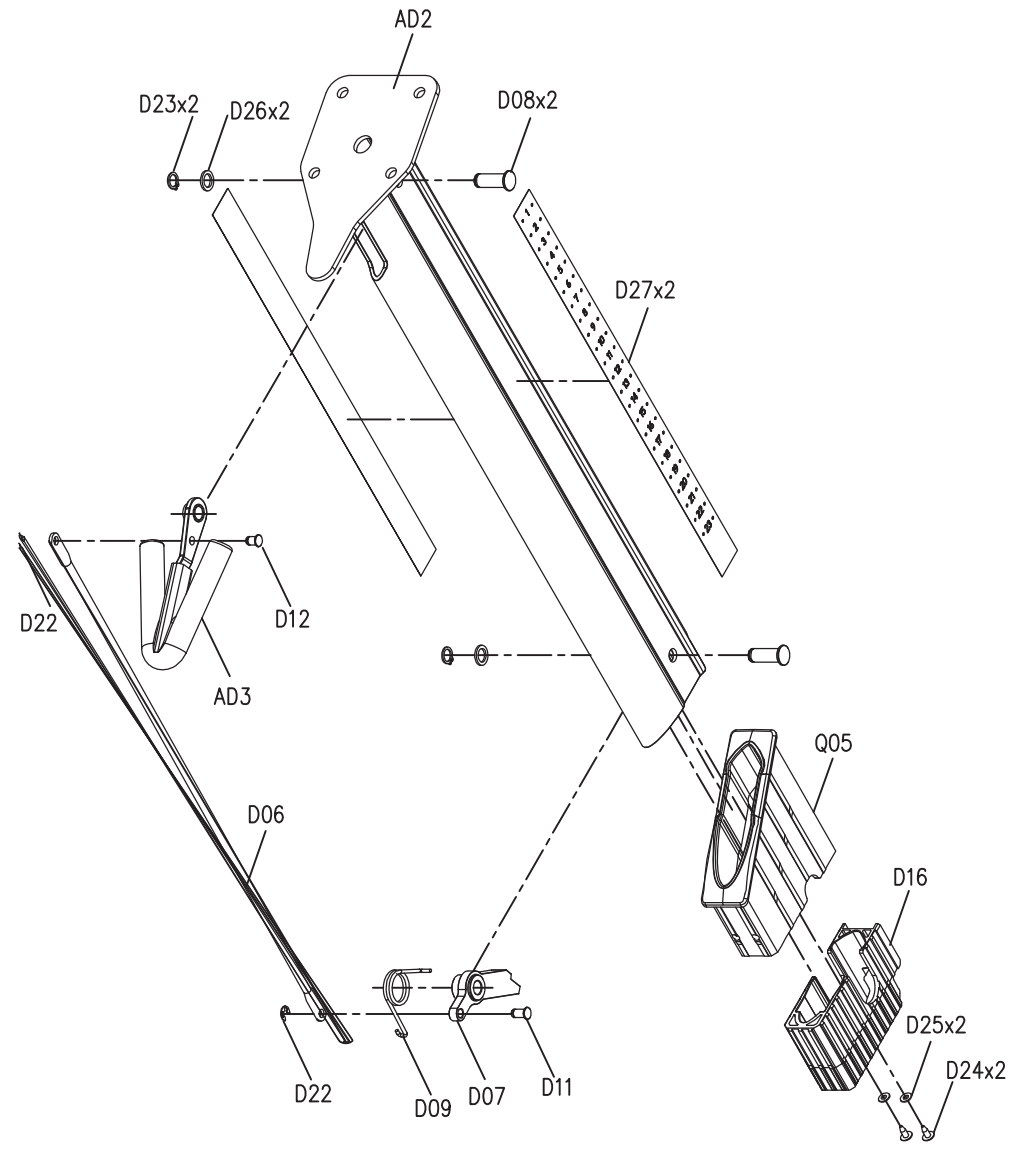


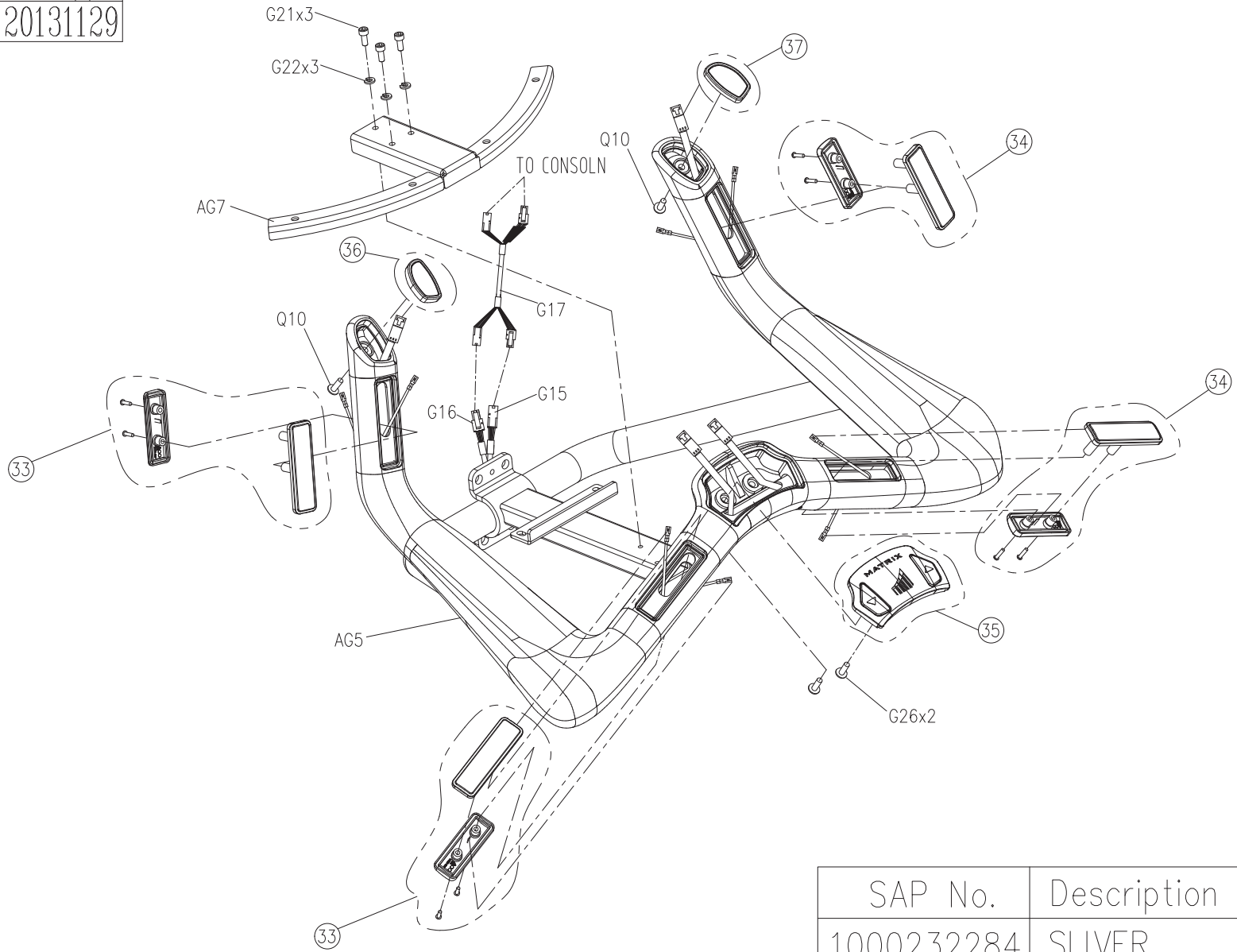
DRAWING NO	CB92-AC12		
PART NAME	console mast set		
PART NO	1000306288	REV	B
APPROVE	KEN	DATE	20121217



DRAWING NO	CB92-AD1		
PART NAME	Seat Tube Set		
PART NO	1000230007		B
APPROVE	KEN	DATE	20121217

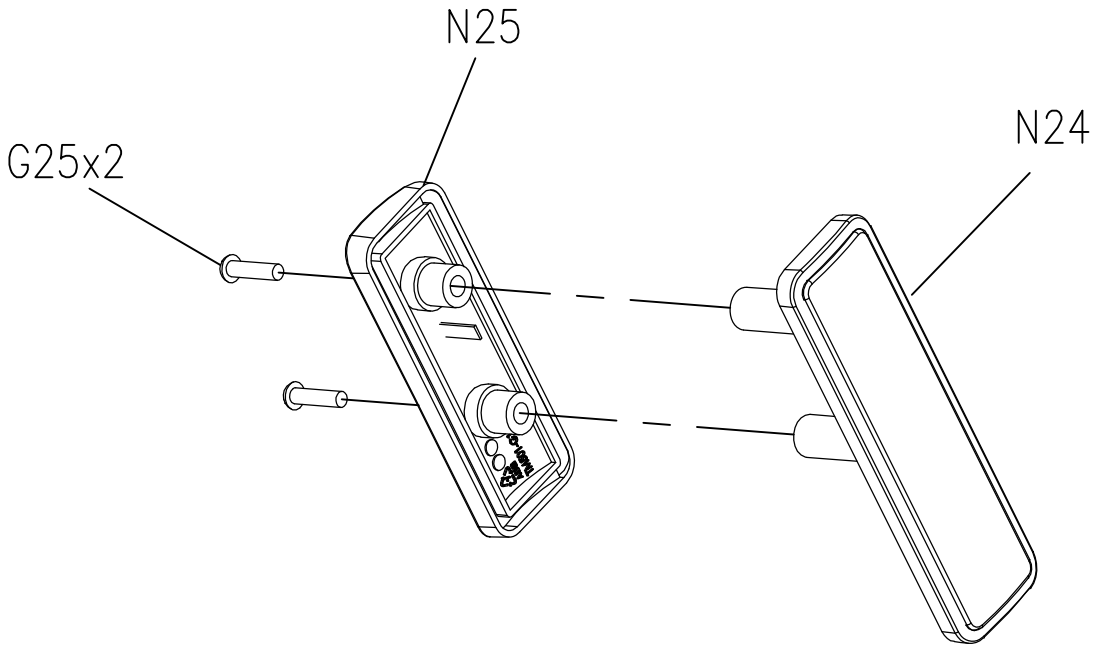


DRAWING NO	CB92-AG4		
PART NAME	HANDLEBAR SET		
PART NO	See attached ^{REV} E		
APPROVE	Hunter	DATE	20131129

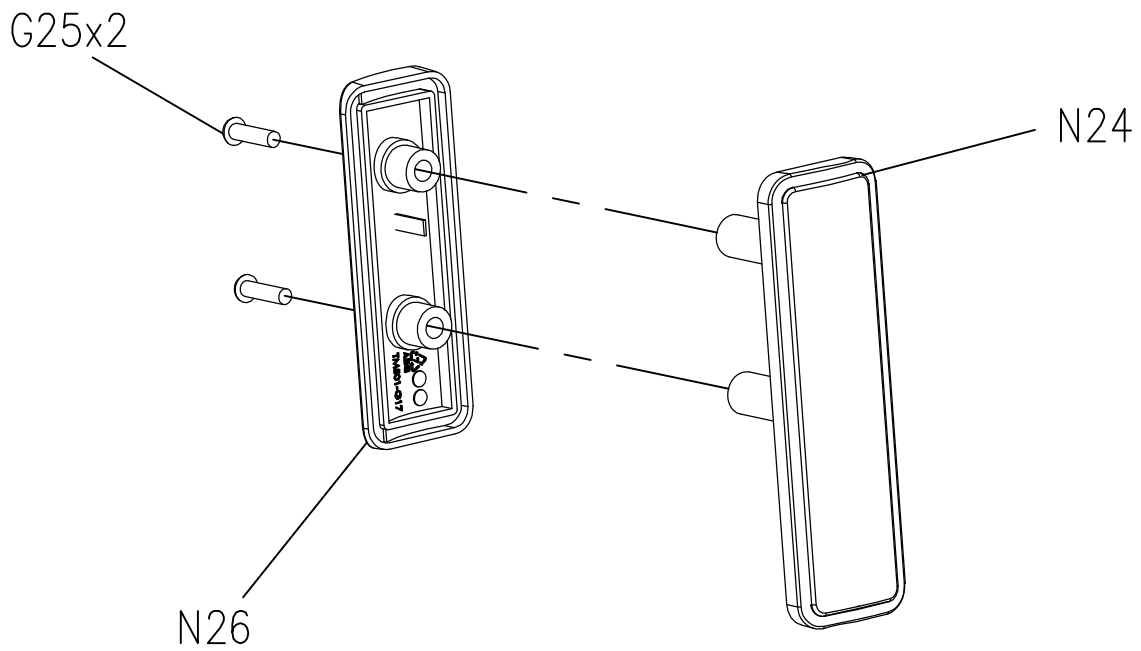



SAP No.	Description
1000232284	SLIVER
1000340685	Black matte

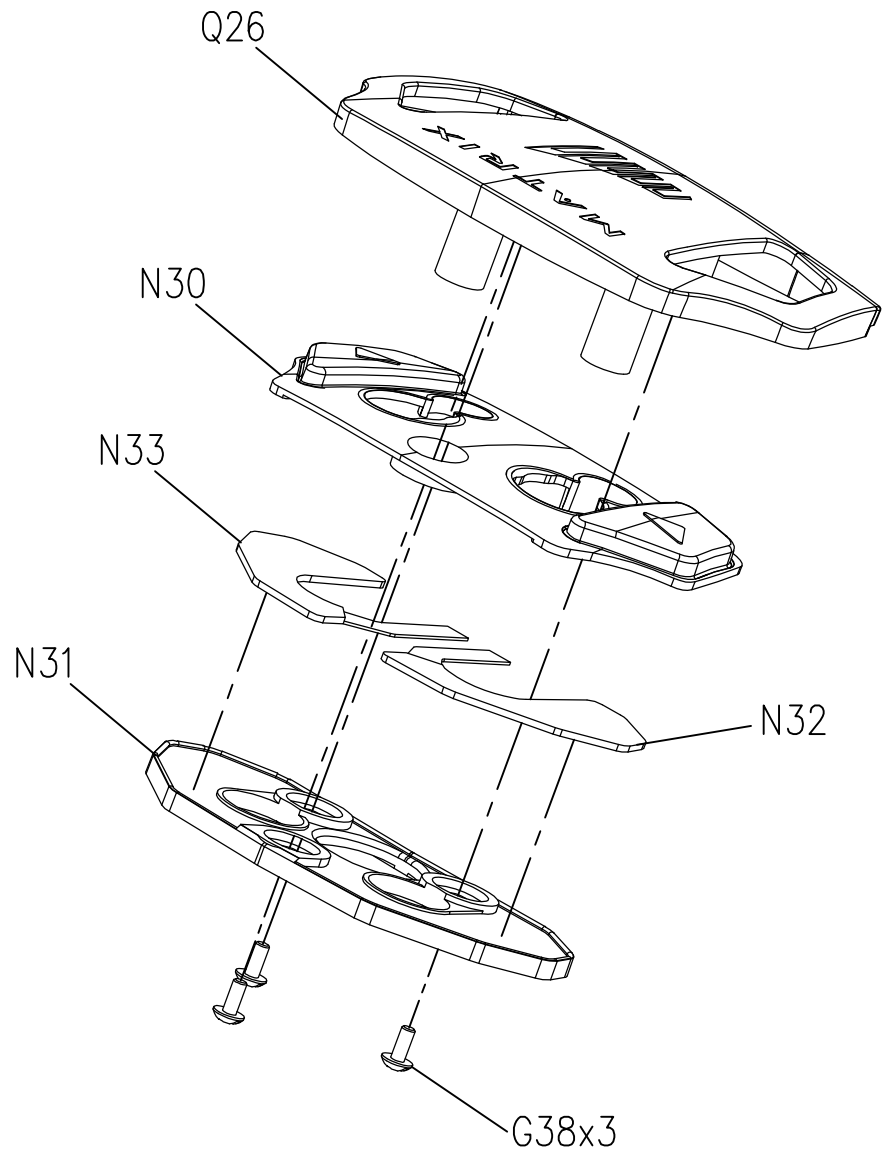
DRAWING NO	CB92-AG33		
PART NAME	Sensor set;R		
PART NO	1000309653		B
APPROVE	KEN	DATE	20130312



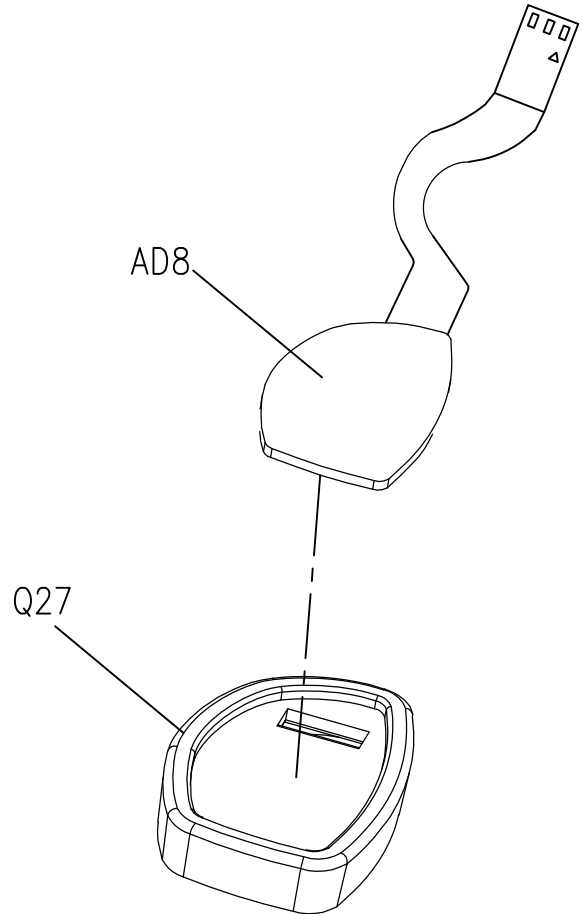
DRAWING NO	CB92-AG34		
PART NAME	Sensor set;L		
PART NO	1000309655REV B		
APPROVE	KEN	DATE	20130312



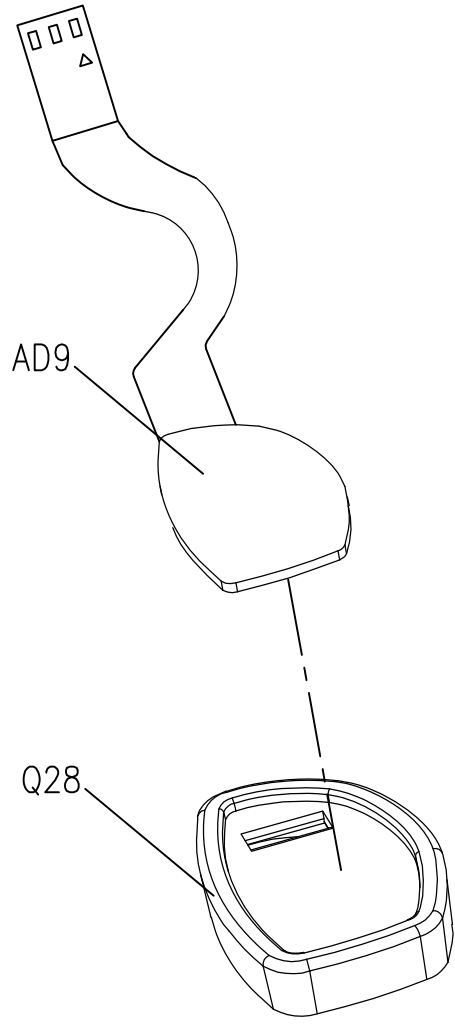
DRAWING NO	CB92-AQ20		
PART NAME	SENSOR SET		
PART NO	1000232278		B
APPROVE	KEN	DATE	20121217



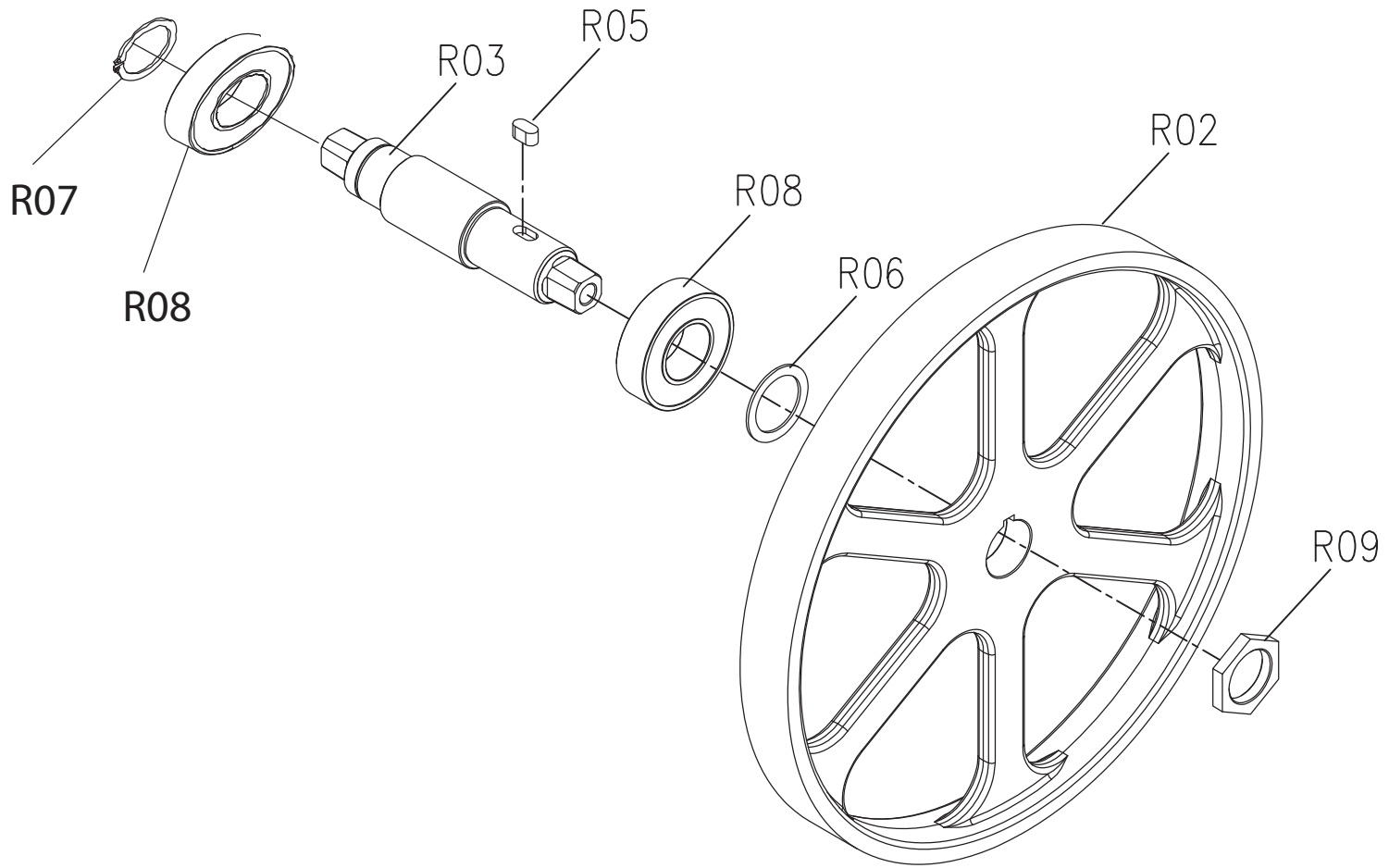
DRAWING NO	CB92-AG8		
PART NAME	Sensor Set;Quickly Key;left		
PART NO	1000301916	REV	B
APPROVE	KEN	DATE	20121217



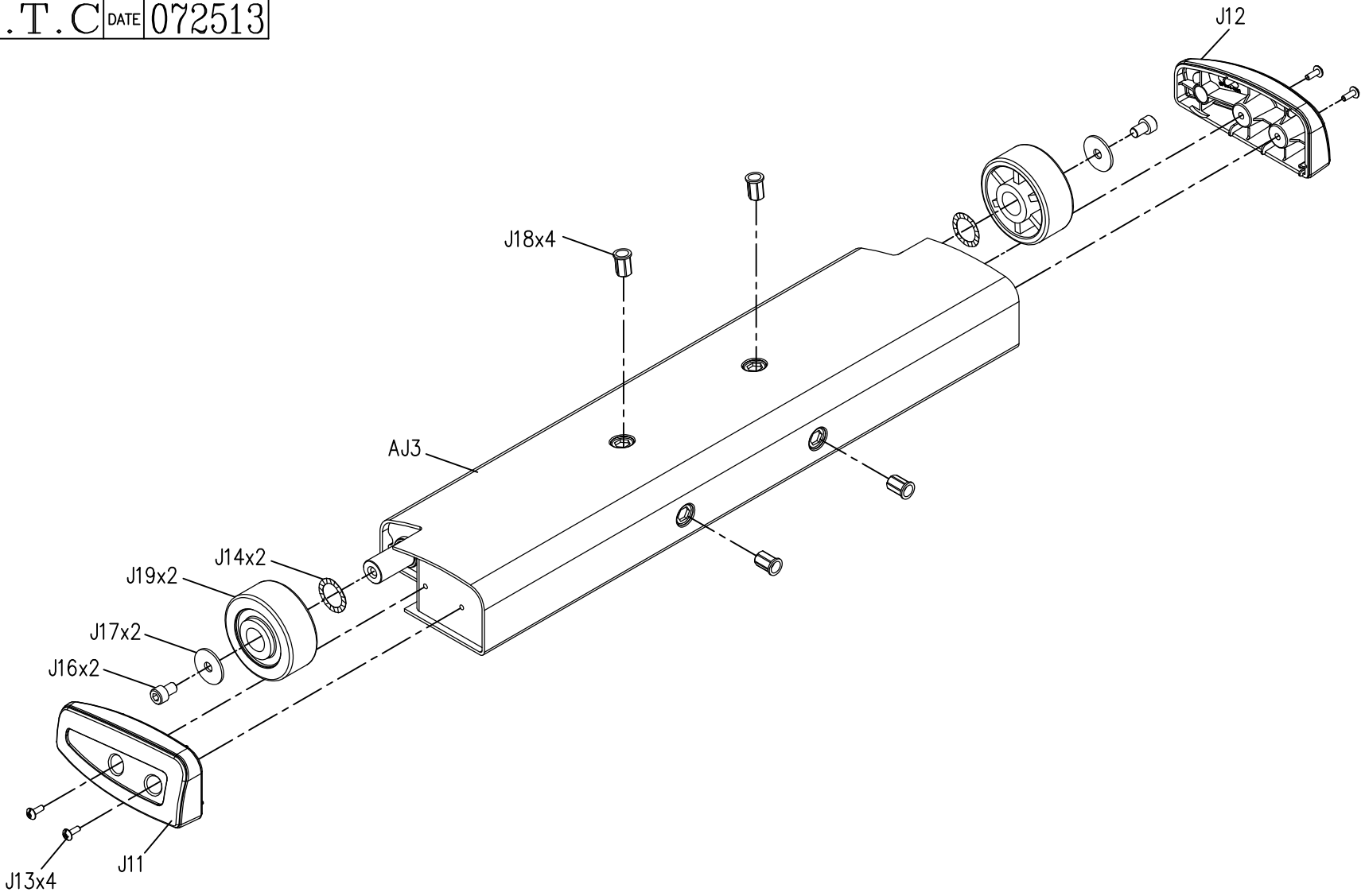
DRAWING NO	CB92-AG9		
PART NAME	Sensor Set;Quickly Key;right		
PART NO	1000301920		
APPROVE	KEN	DATE	20121217



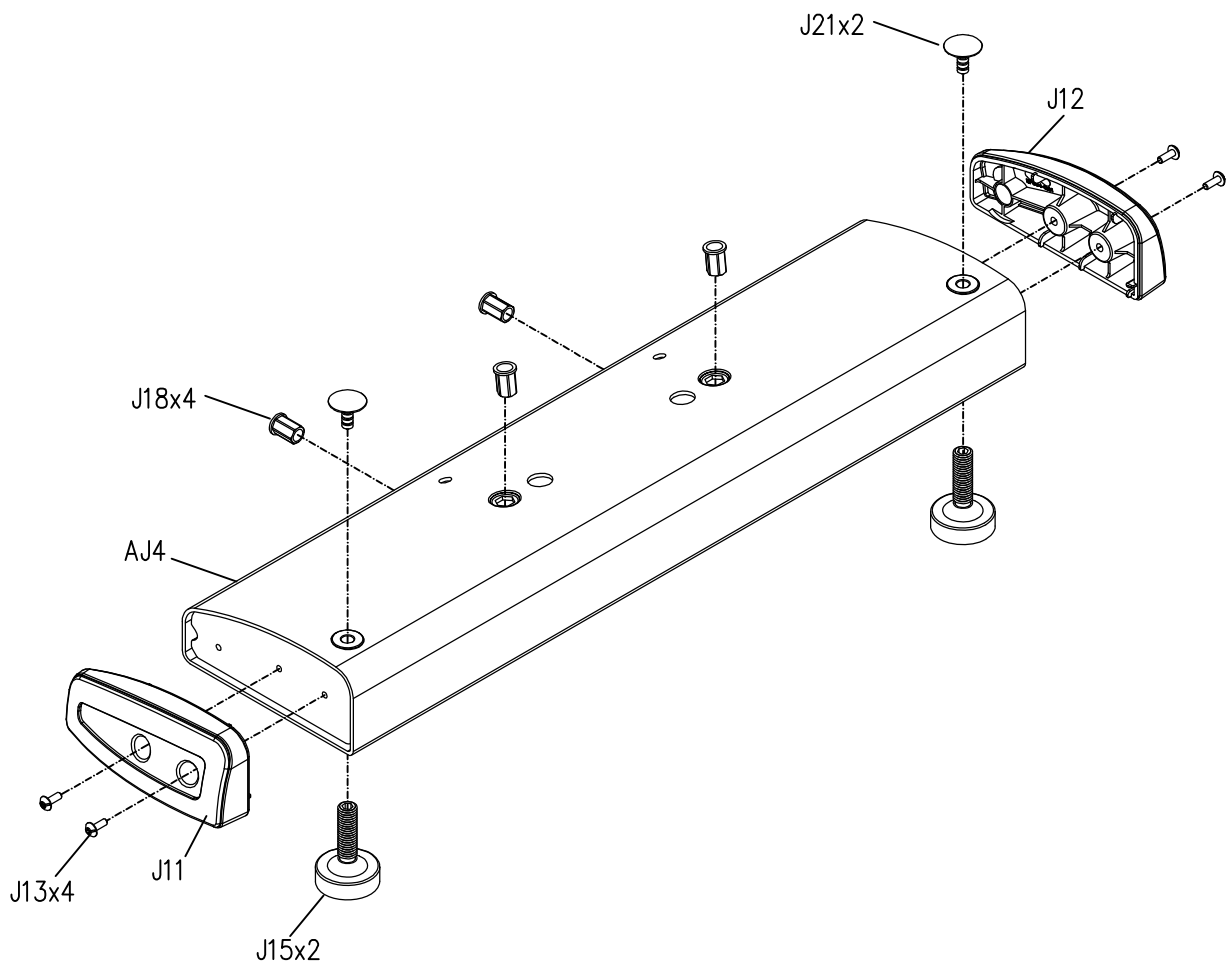
DRAWING NO	CB93-AR11		
PART NAME	Transmission Set		
PART NO	1000230123		
APPROVE	KEN	DATE	20121217




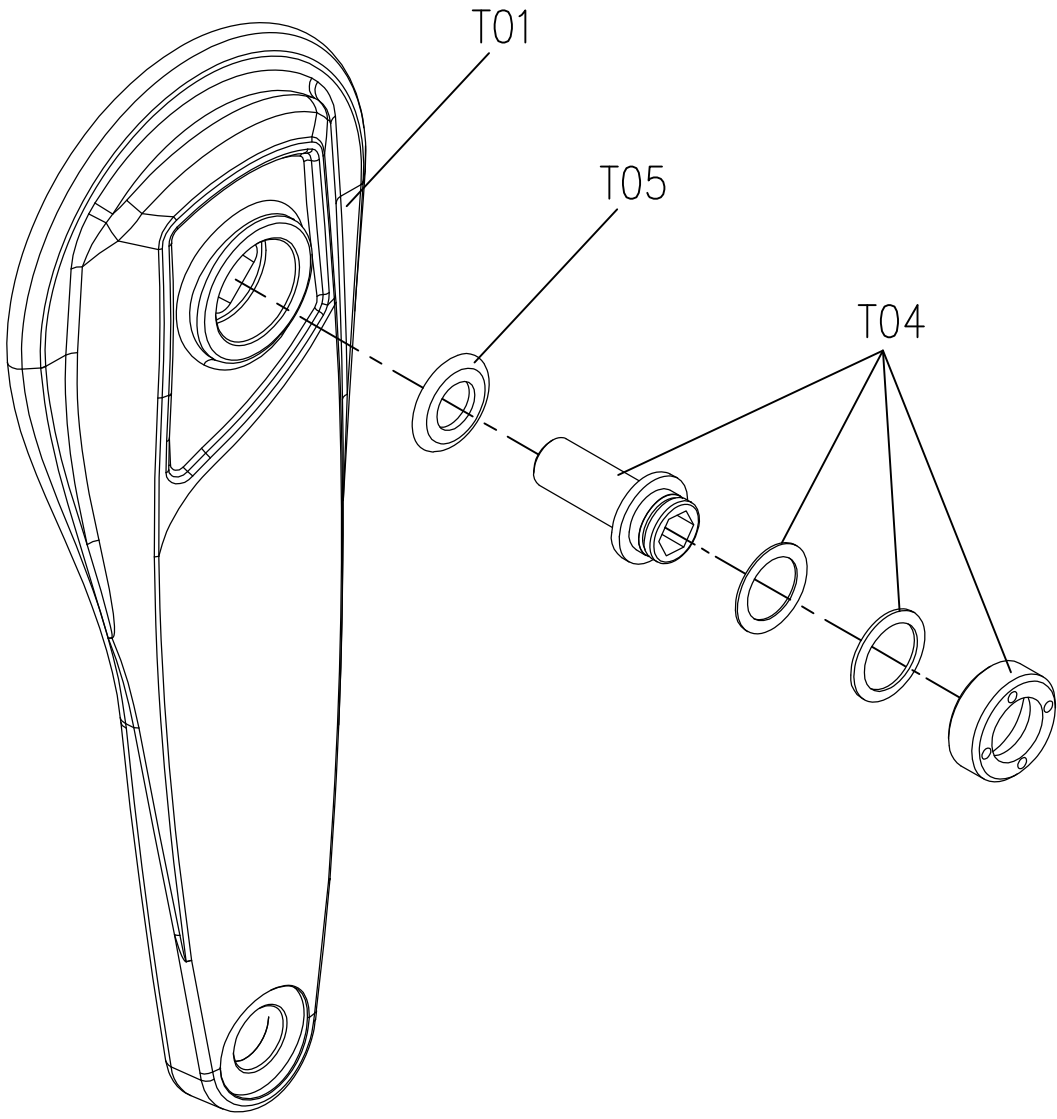
DRAWING NO	CB92-AJ5		
PART NAME	Stabilizer SET;F		
PART NO	1000230015	REV	C
APPROVE	S.T.C	DATE	072513




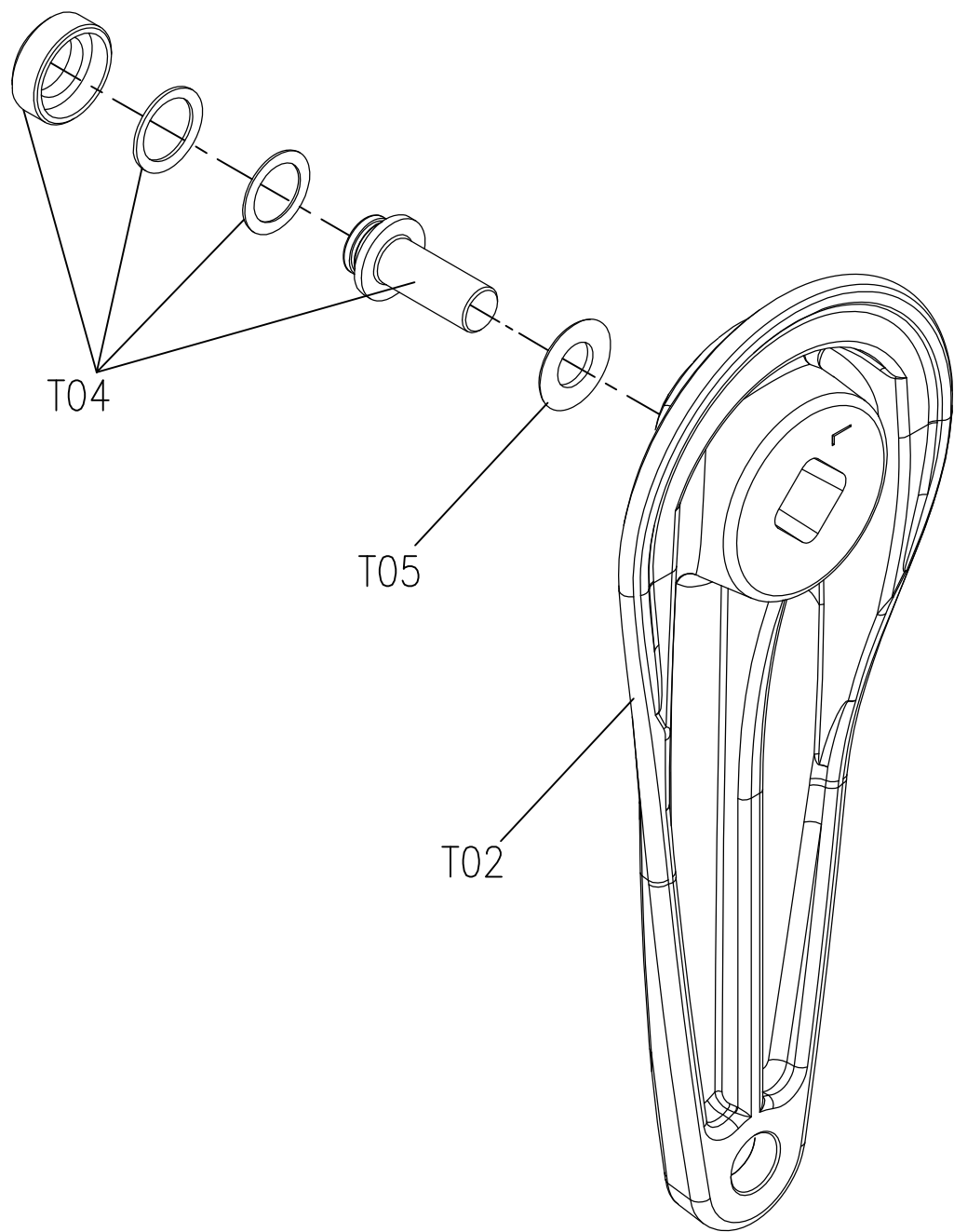
DRAWING NO	CB92-AJ6		
PART NAME	Stabilizer SET;R		
PART NO	1000230023	REV	C
APPROVE	S.T.C	DATE	072513




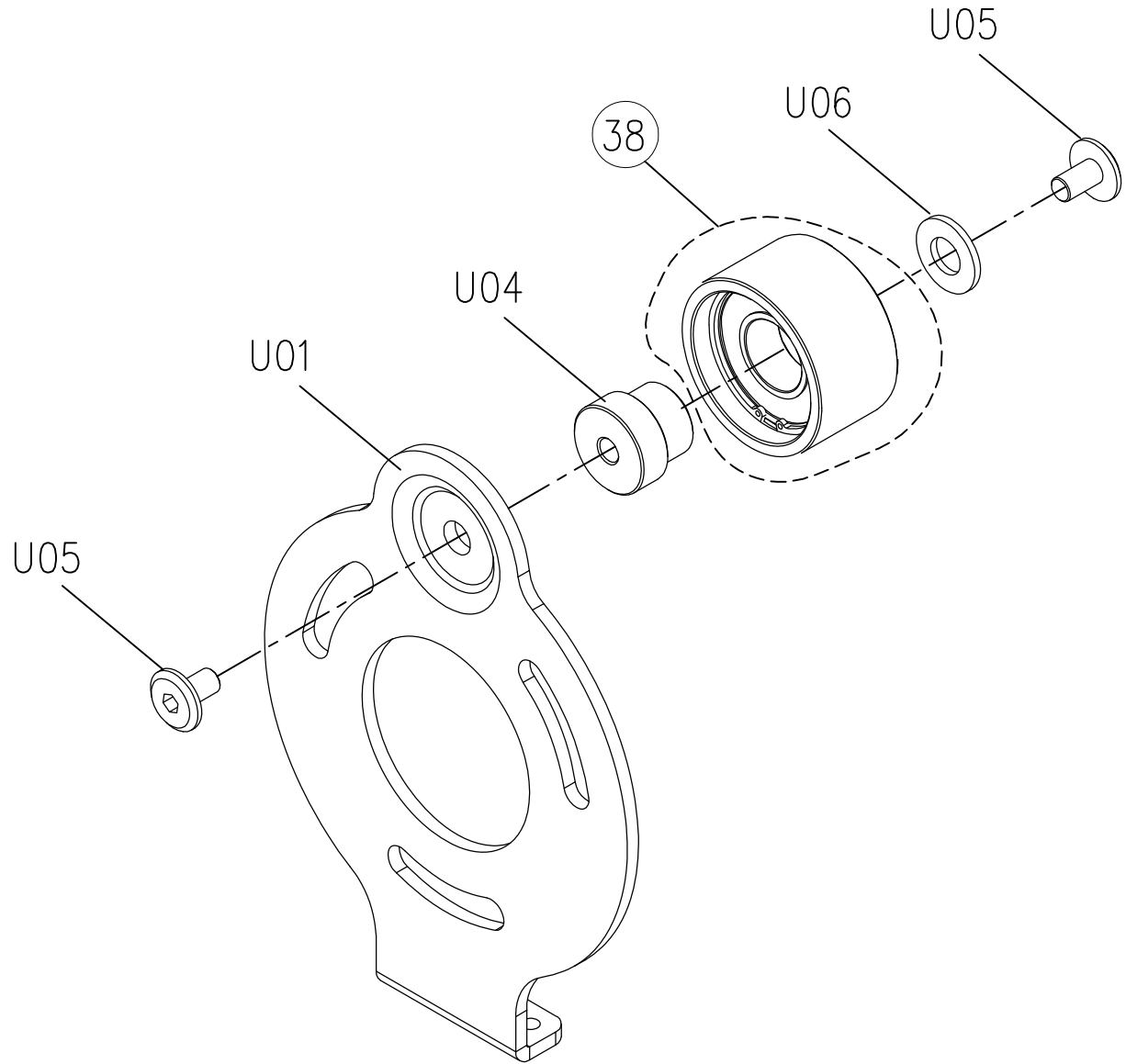
DRAWING NO	CB92-AT11		
PART NAME	Crank Set;R		
PART NO	1000230347		B
APPROVE	KEN	DATE	20121217



DRAWING NO	CB92-AT12		
PART NAME	Crank Set;L		
PART NO	1000230350		B
APPROVE	KEN	DATE	20121217



DRAWING NO	CB92-AU3		
PART NAME	Idler Fix Plate Set		
PART NO	1000230354  B		
APPROVE	KEN	DATE	20121217



DRAWING NO	CB92-AU4		
PART NAME	Idler Set		
PART NO	1000307358	REV	B
APPROVE	KEN	DATE	20130116

