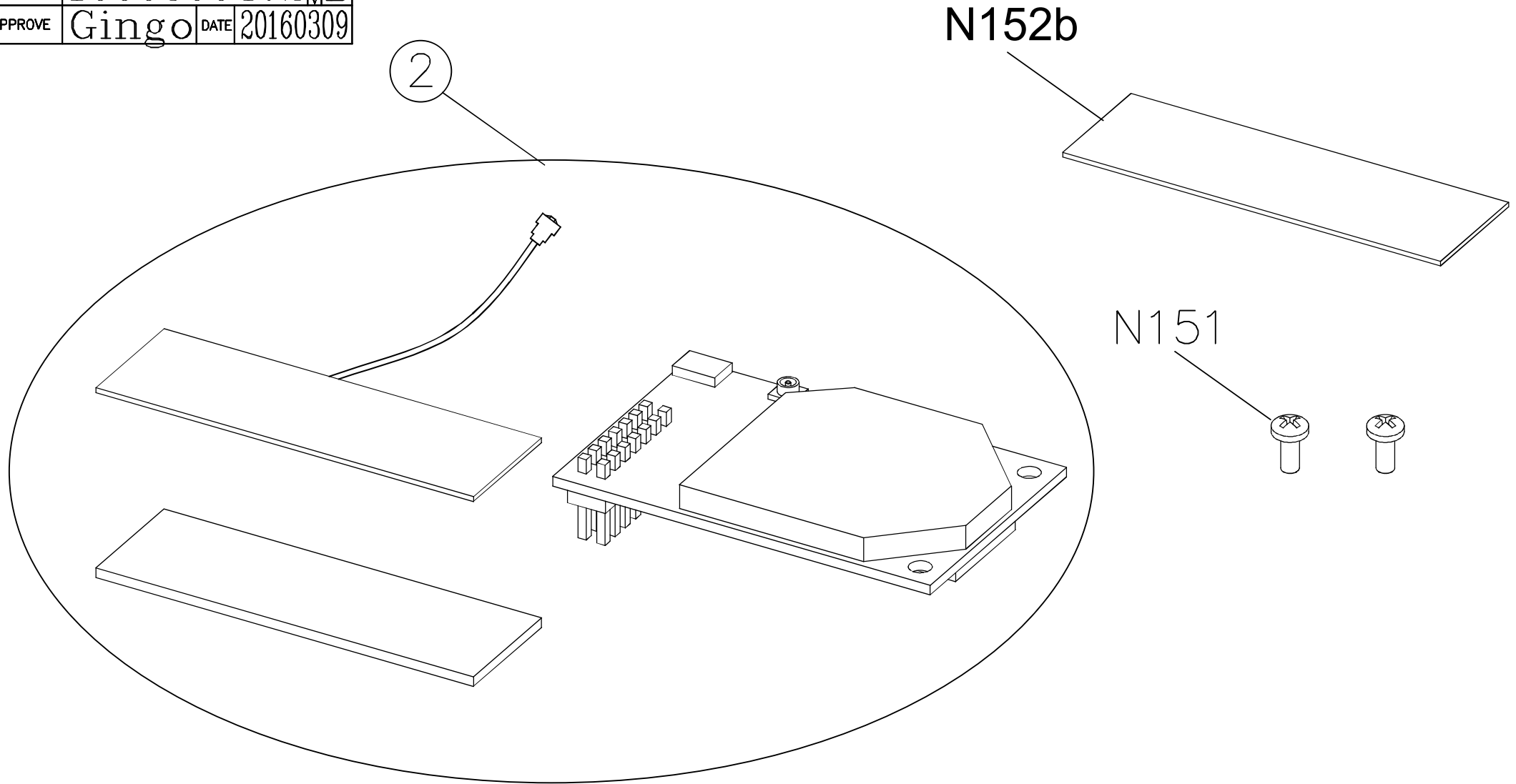


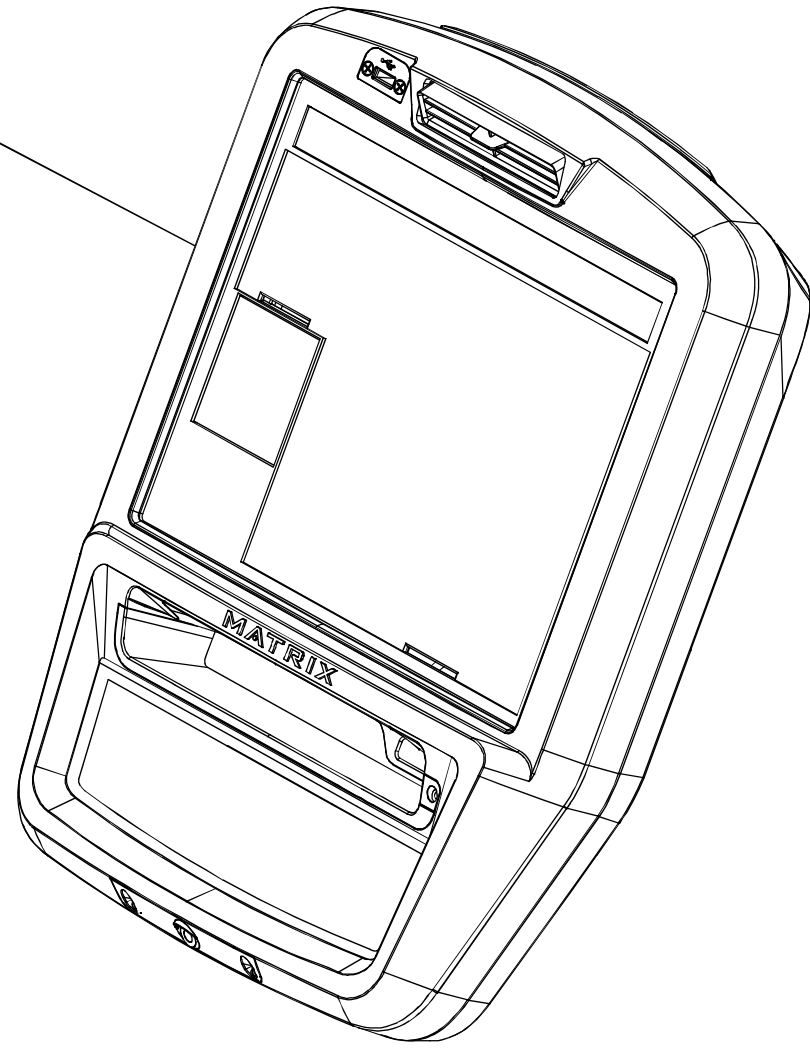
DRAWING NO	EP619B-AW31		
PART NAME	WIFI Wireless module Set		
PART NO	1000366472		B
APPROVE	Gingo	DATE	20160309



備註: 1. 軟體版次請見SAP

DRAWING NO	EP624B-A05		
PART NAME	Assembly View		
PART NO	1000380468A		
APPROVE	Heady	DATE	20151204

21



SAP PART NO
MEP0594-00
MEP0596-00