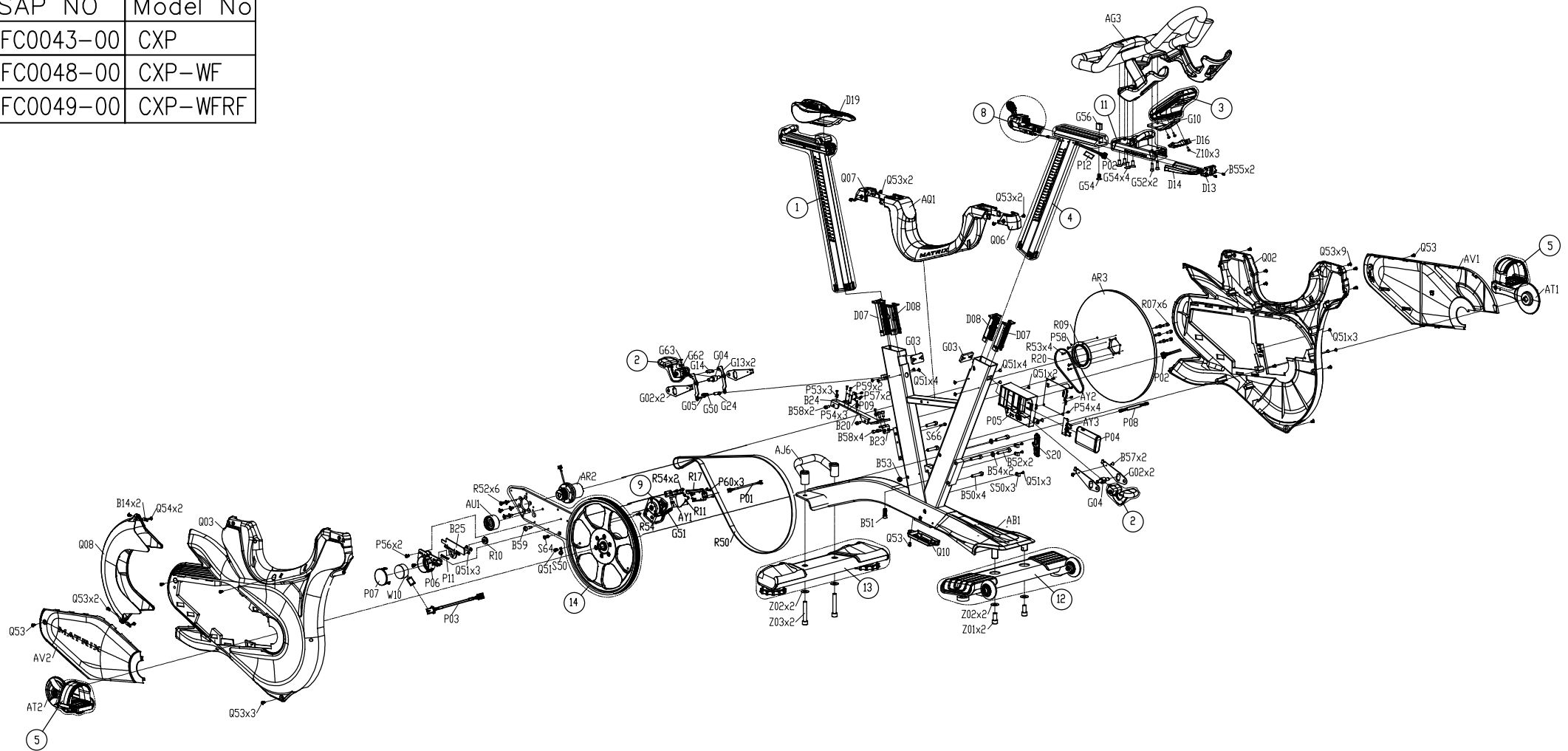

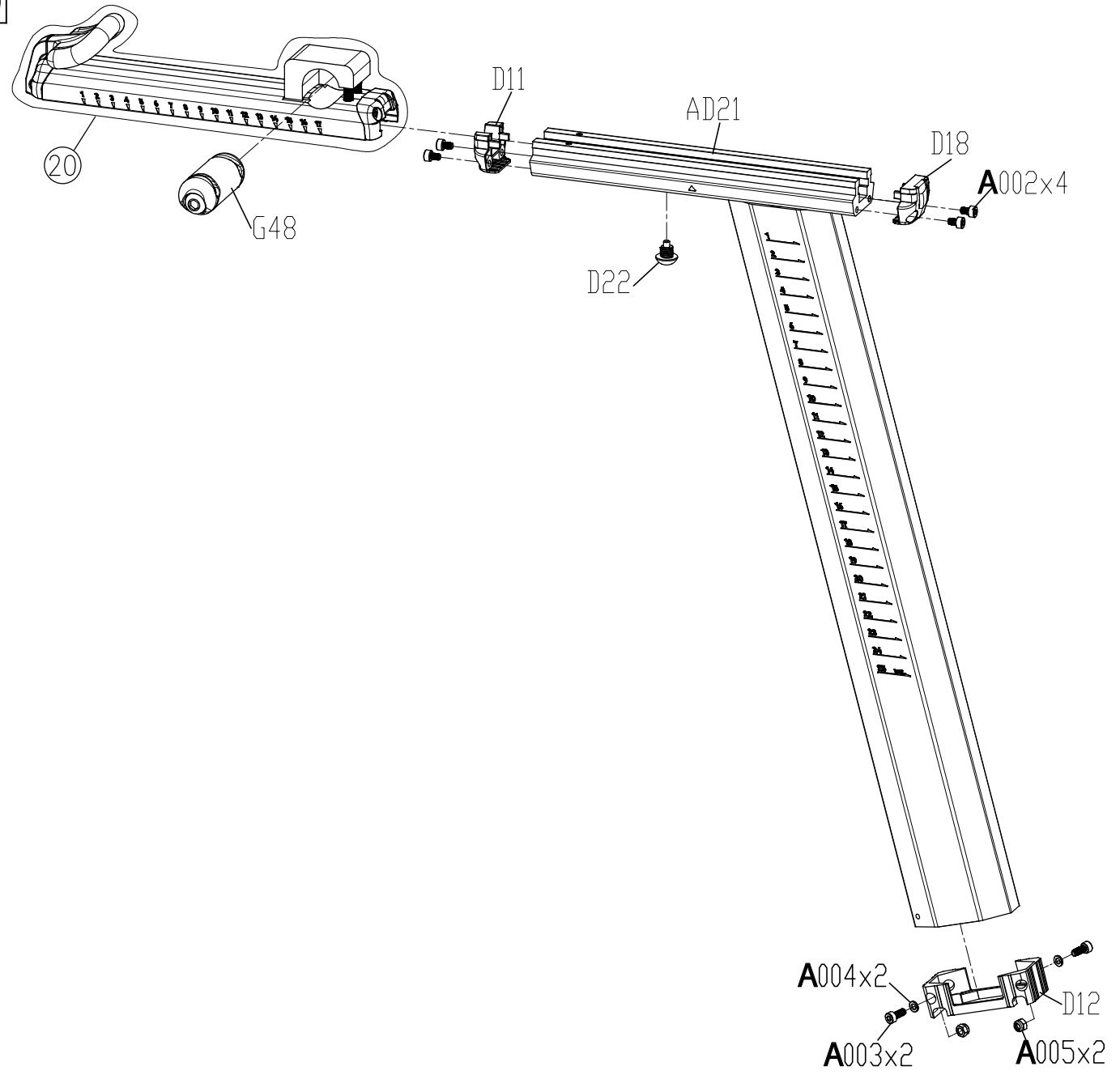


DRAWING NO	FC24-A04		
PART NAME	Exploded view;Semi-Assy		
PART NO	1000407062 D		
APPROVE	Benson	DATE	20180626

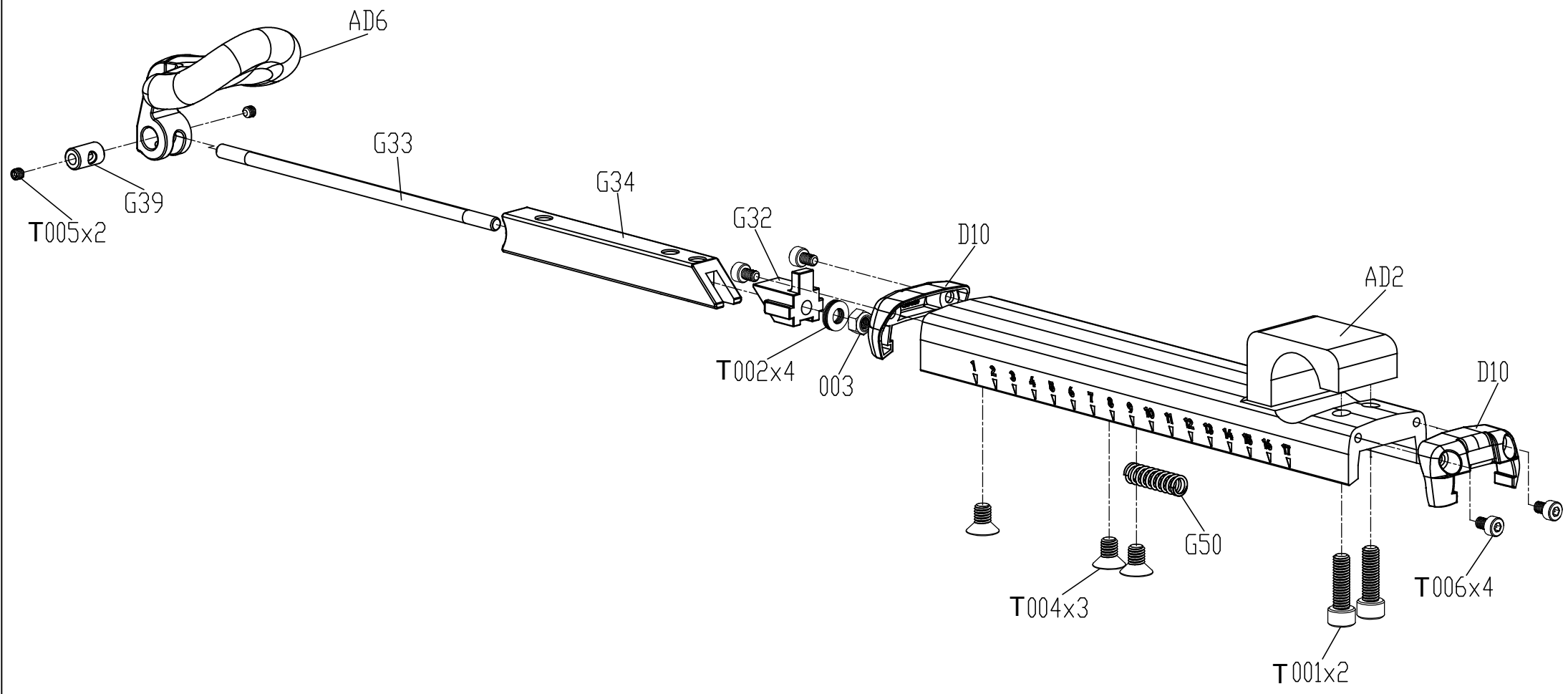
SAP NO	Model No
MFC0043-00	CXP
MFC0048-00	CXP-WF
MFC0049-00	CXP-WFRF



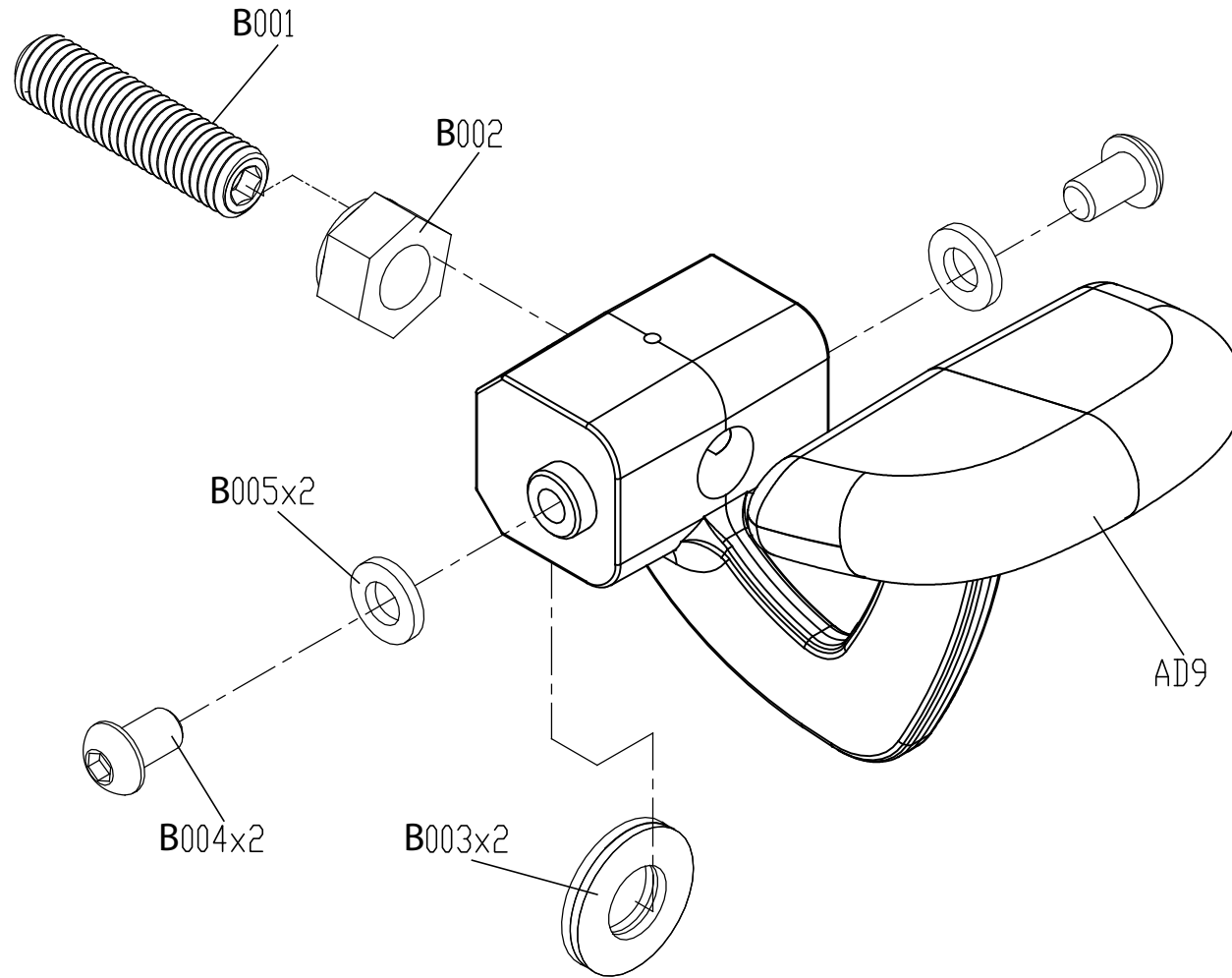
DRAWING NO	FC20-AD11		
PART NAME	Seat Post Set		
PART NO	1000404510  C		
APPROVE	Benson	DATE	20180629



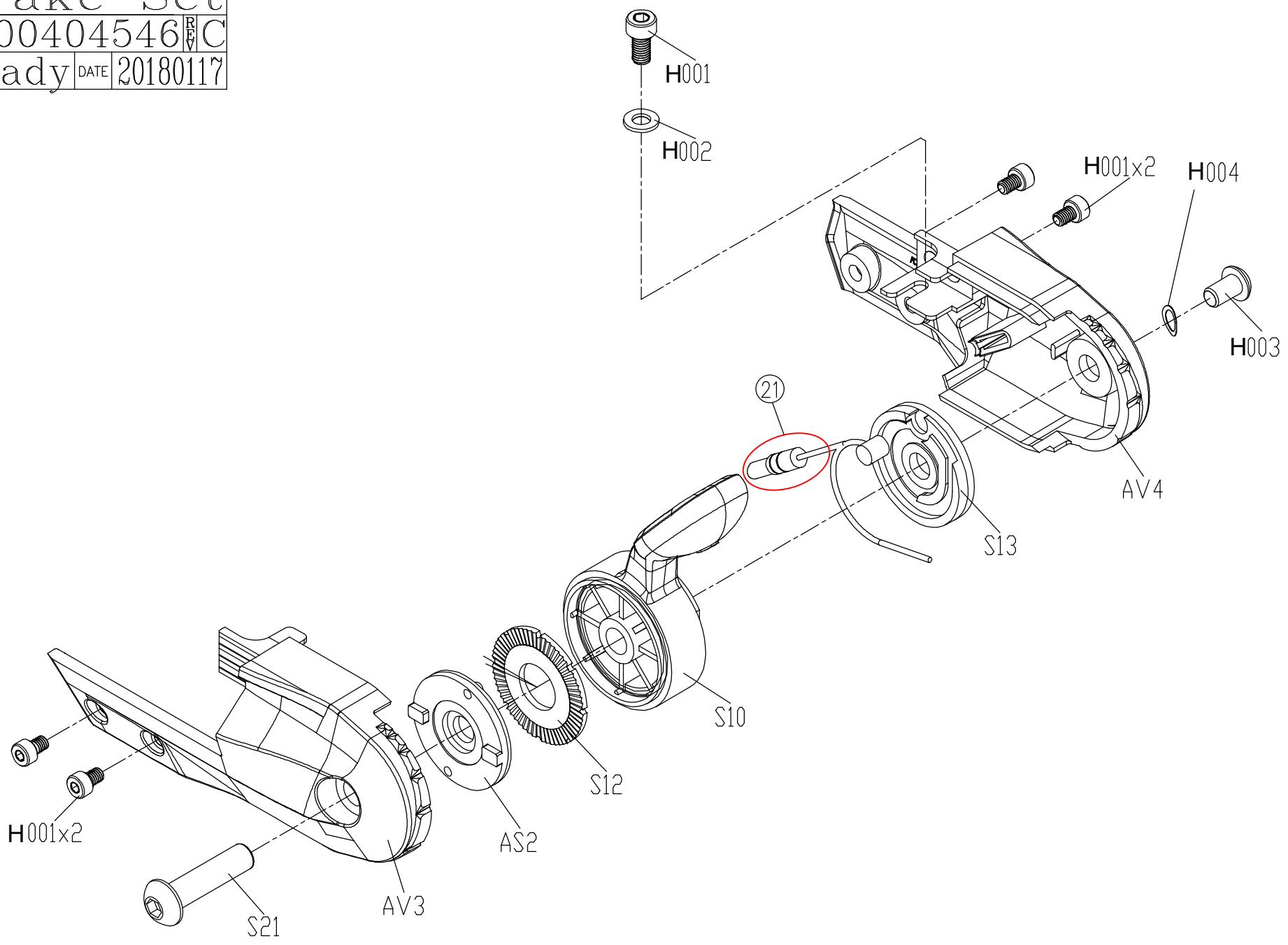
DRAWING NO	FC20-AD12		
PART NAME	Seat Pad Adjustable Set		
PART NO	1000404511 B		
APPROVE	Benson	DATE	20170915



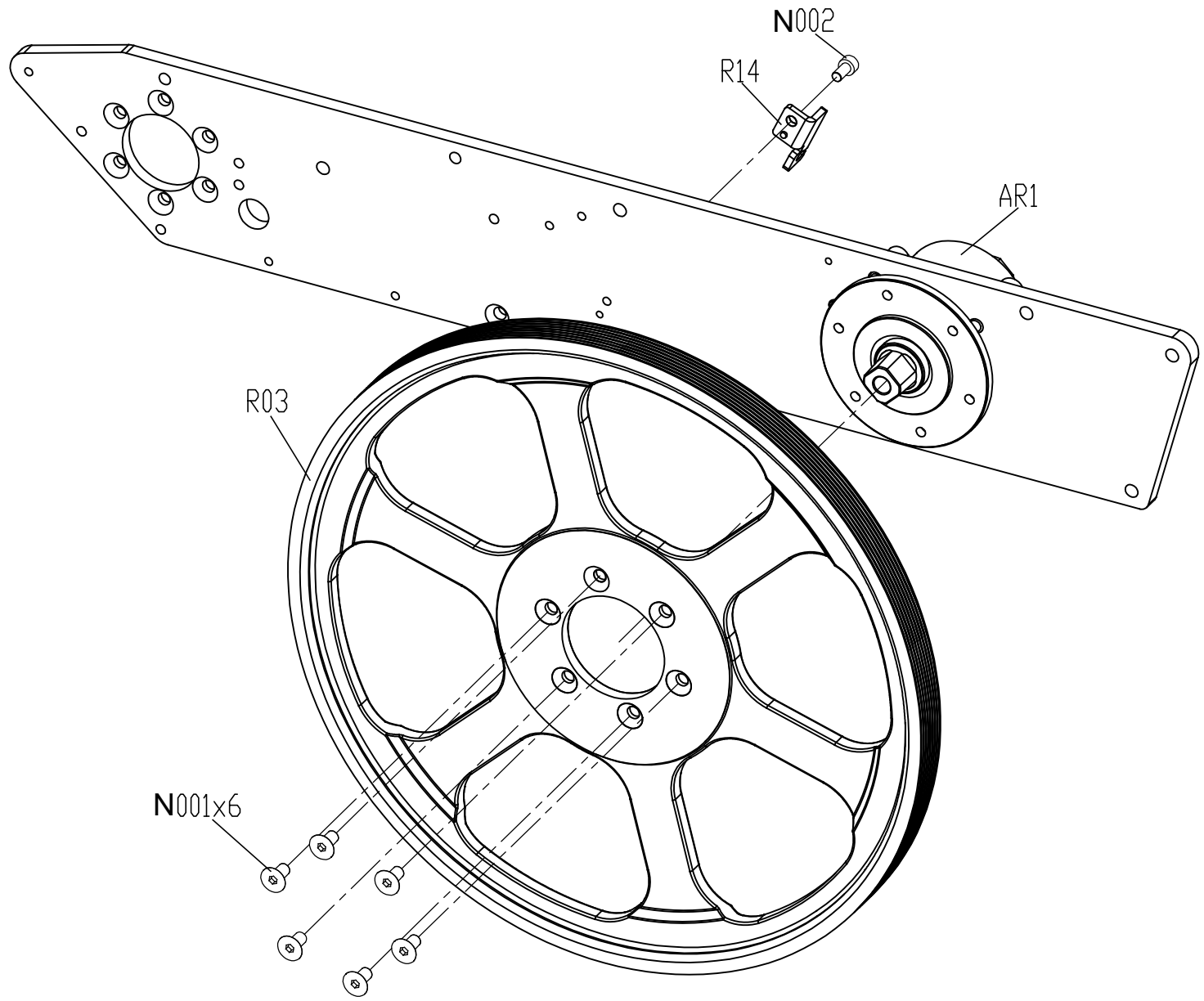
DRAWING NO	FC20-AD13		
PART NAME	Adjustable Handle Group;Cushions		
PART NO	1000404542		B
APPROVE	Benson	DATE	20170915



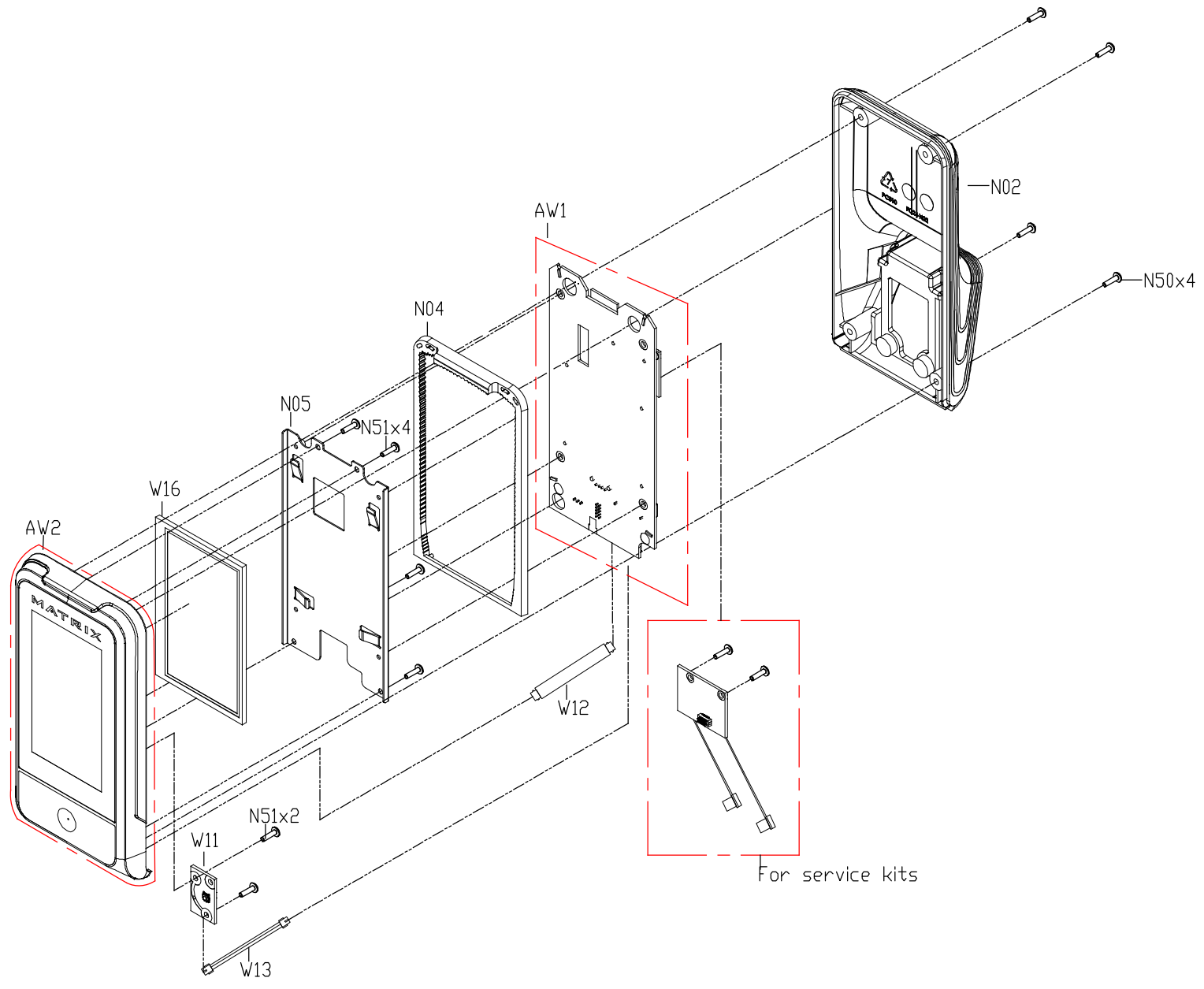
DRAWING NO	FC20-AS1		
PART NAME	Brake Set		
PART NO	1000404546	REV	C
APPROVE	Heady	DATE	20180117



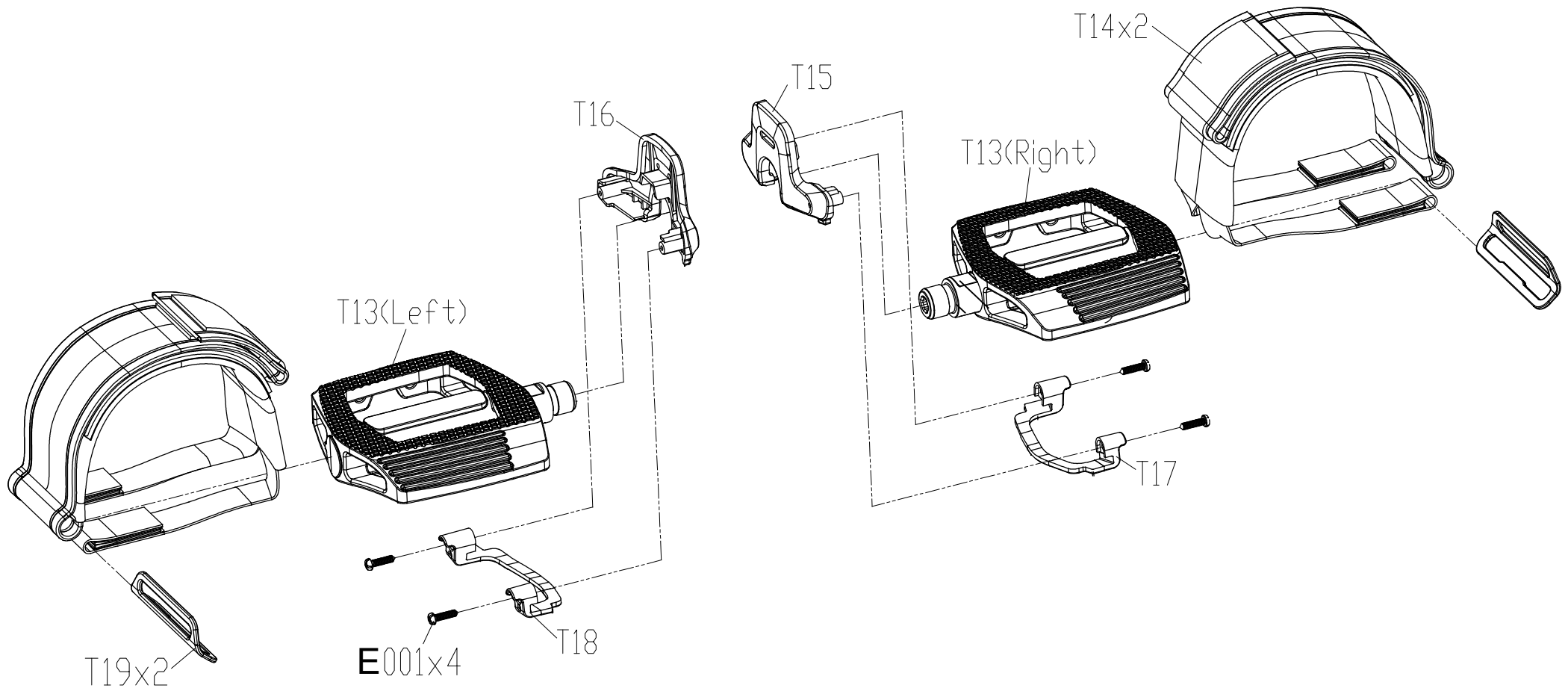
DRAWING NO	FC20-AR11		
PART NAME	Driver Set		
PART NO	1000404565 B		
APPROVE	Benson	DATE	20170915



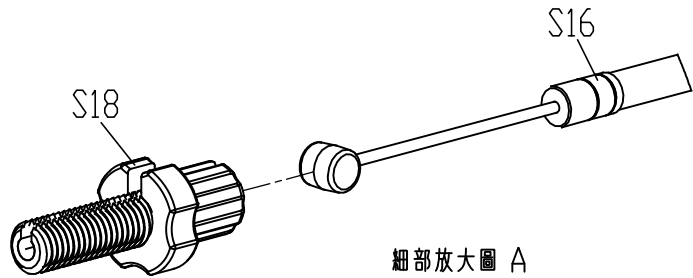
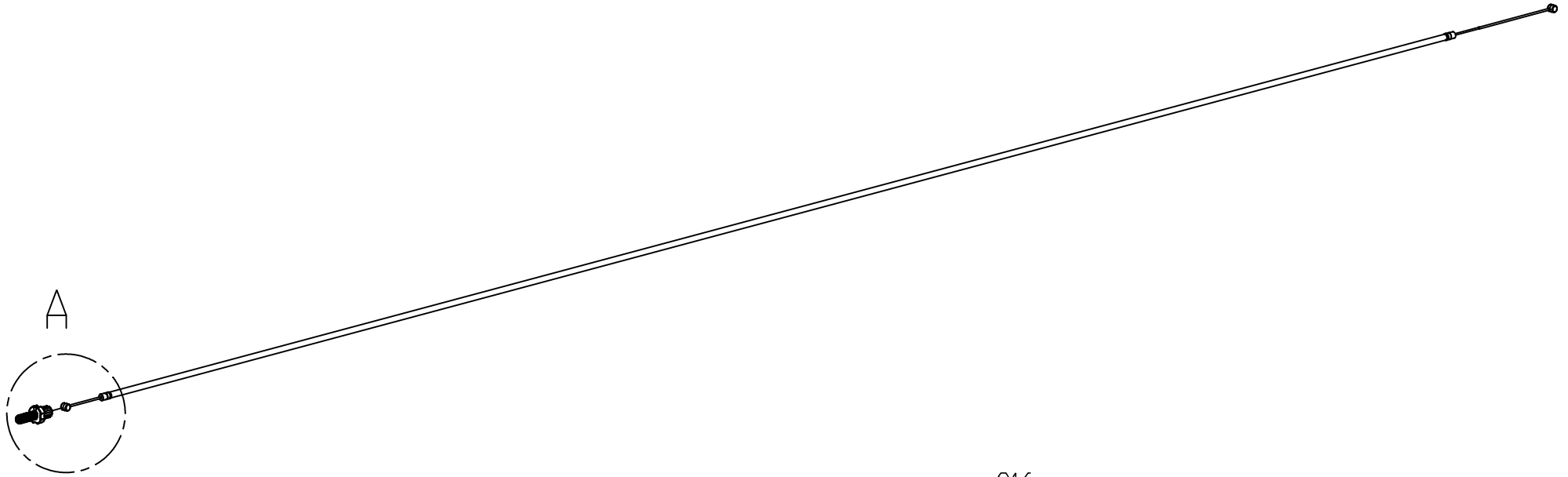
DRAWING NO	FC26-AN1		
PART NAME	Console set;Semi-Assy		
PART NO	1000407073		
APPROVE	S.T.C	DATE	20180518



DRAWING NO	FC24-AT3		
PART NAME	Pedal set;;;VP-S5;;;FC24;		
PART NO	1000407543 E		
APPROVE	Benson	DATE	20180621

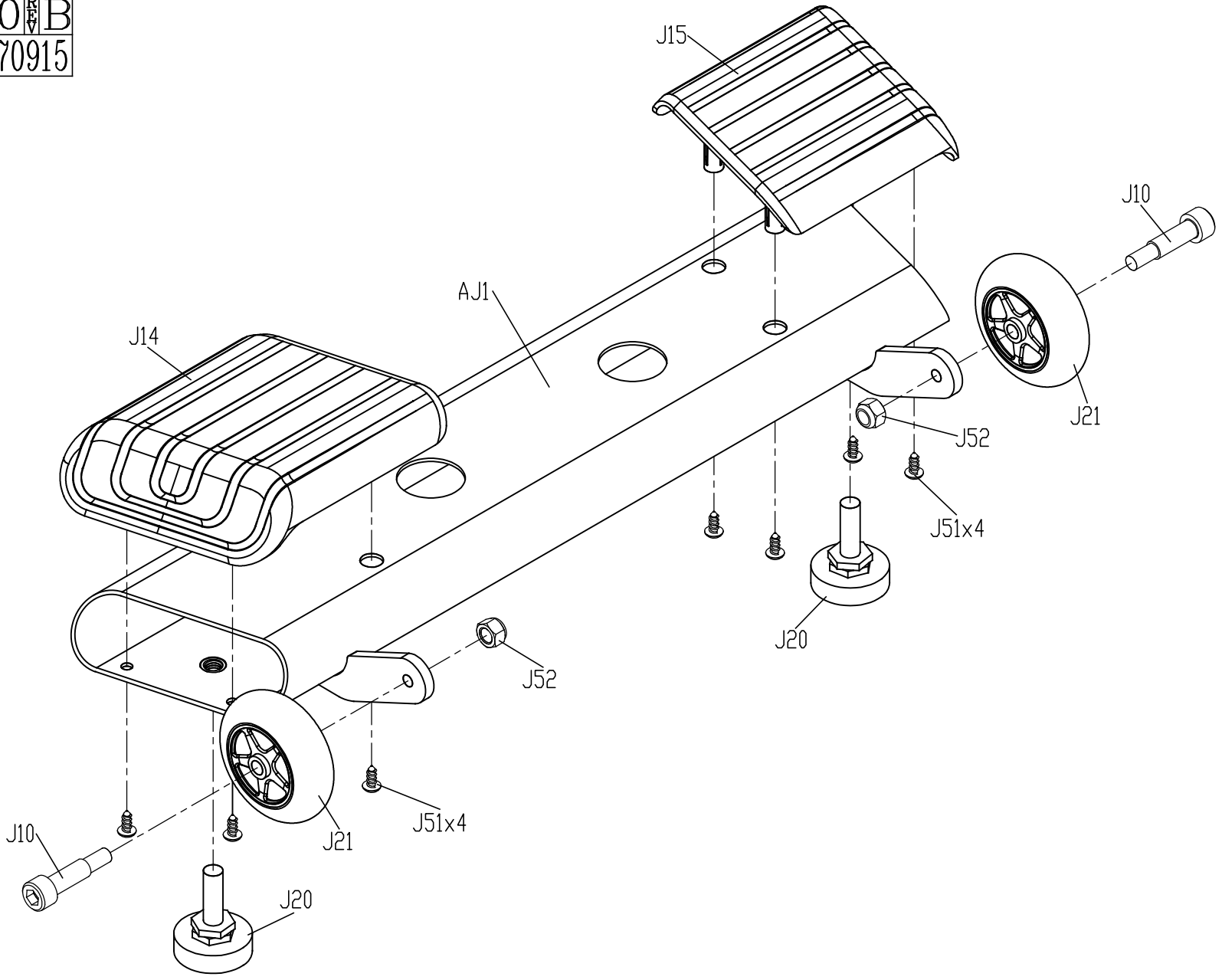


DRAWING NO	FC20-AS3		
PART NAME	Steel Rope Set		
PART NO	1000407255	REV	A
APPROVE	Benson	DATE	20170915

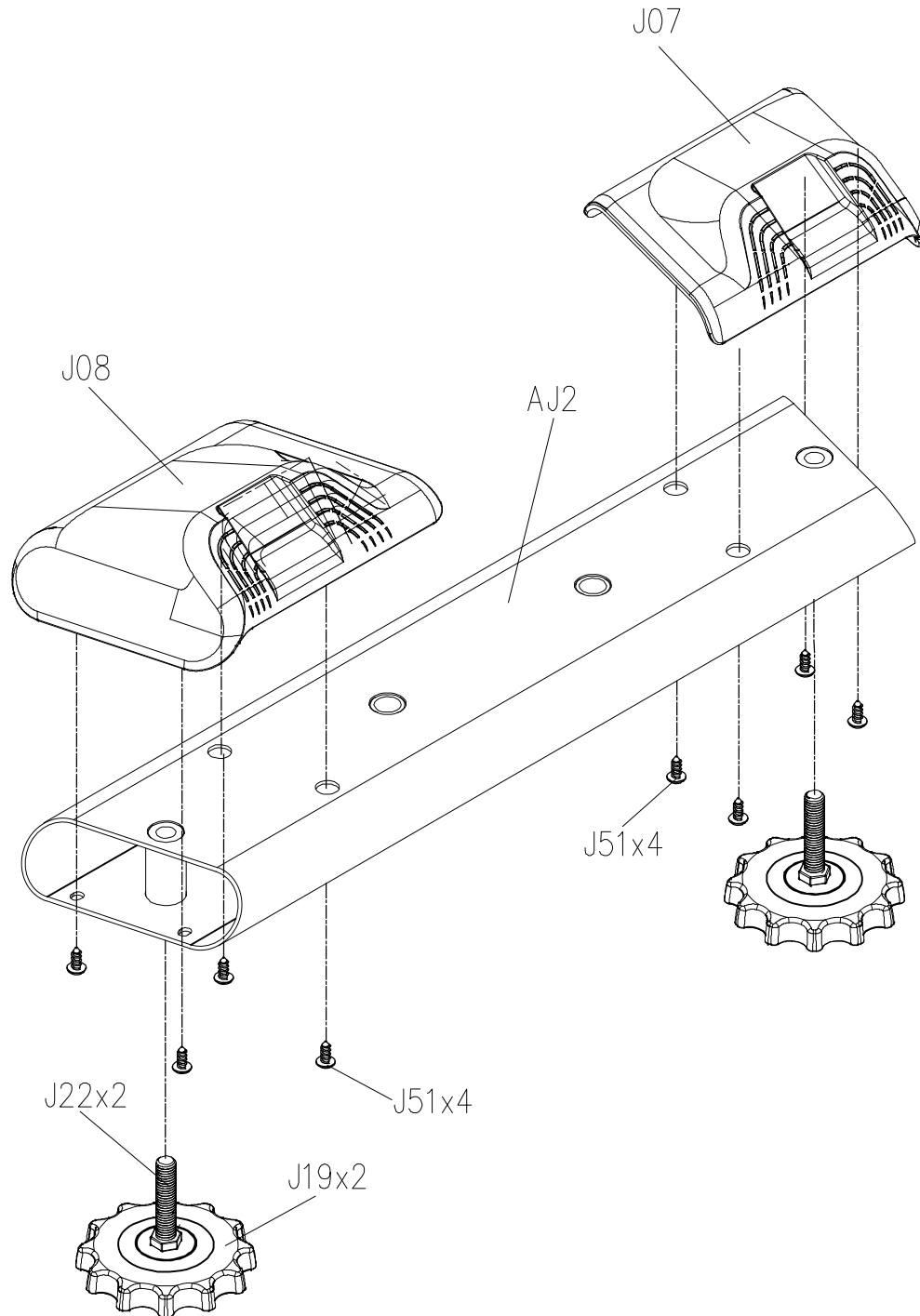


細部放大圖 A
比例 1:1

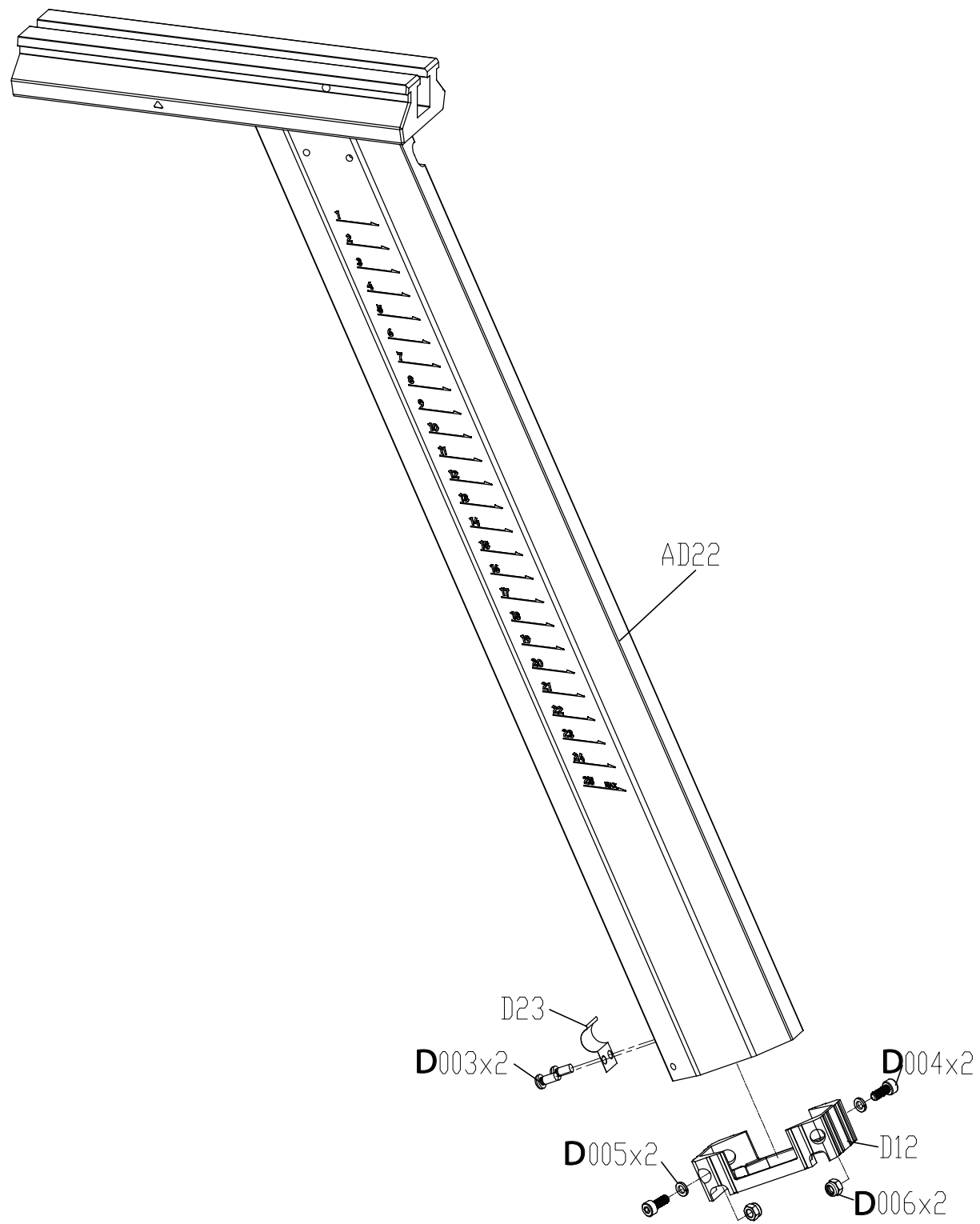
DRAWING NO	FC20-AJ11		
PART NAME	Stabilizer Tube Set;front		
PART NO	1000411450 B		
APPROVE	Benson	DATE	20170915



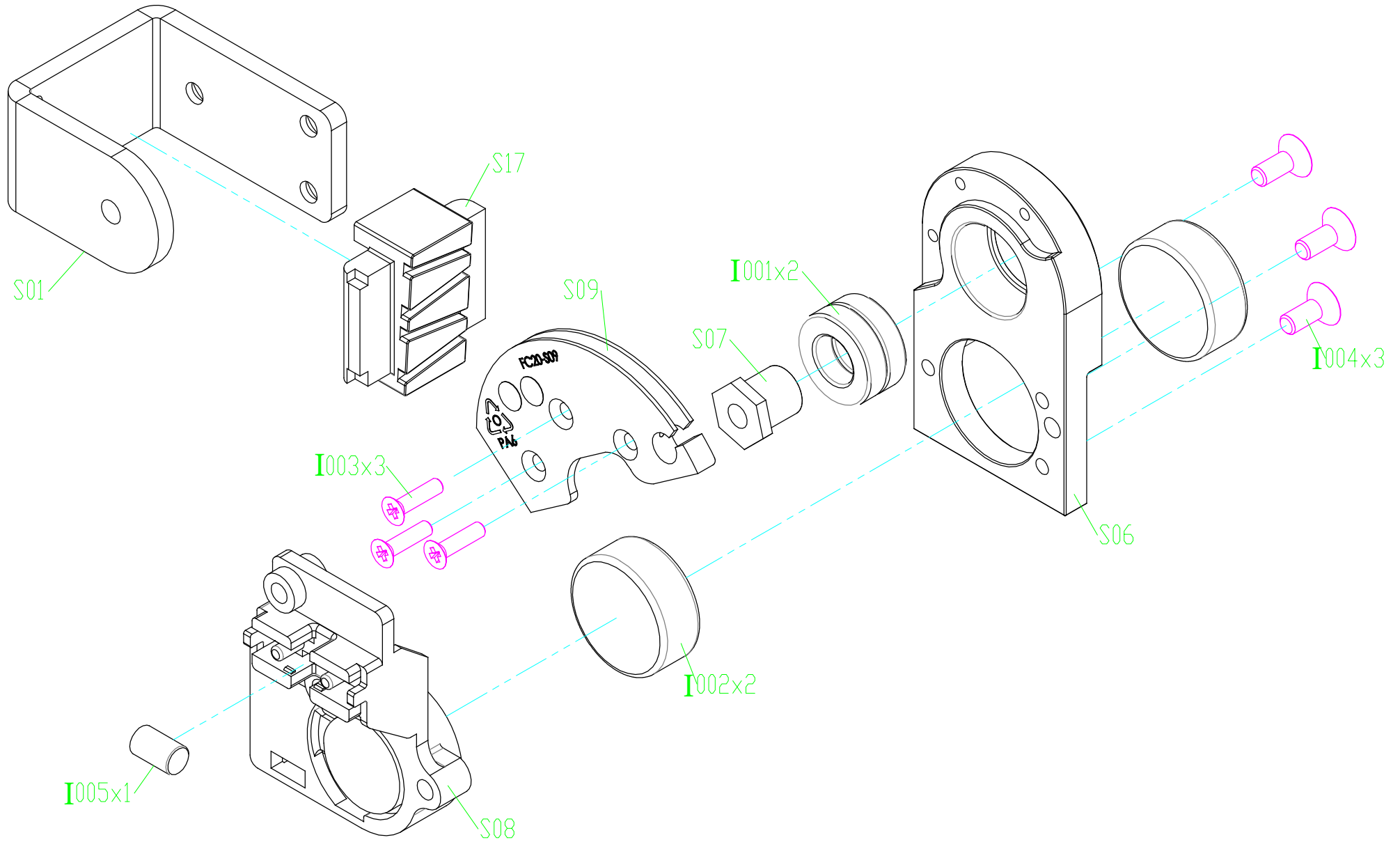
DRAWING NO	FC24-AJ12		
PART NAME	Stabilizer Tube Set:back		
PART NO	1000411484REV A		
APPROVE	Benson	DATE	20180202




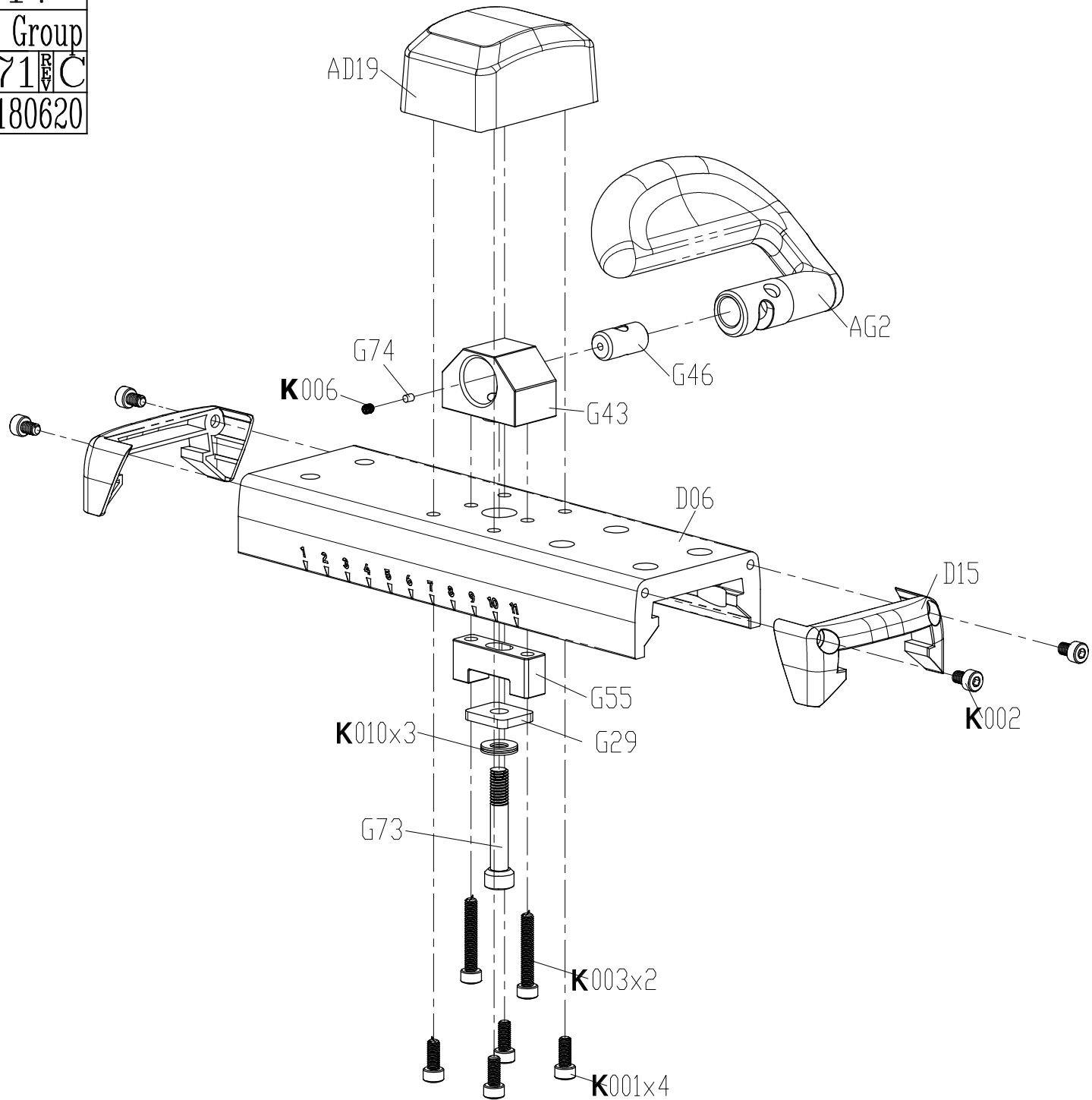
DRAWING NO	FC24-AD15		
PART NAME	Handlebar Set;Fixing		
PART NO	1000411481		
APPROVE	Benson	DATE	20180702



DRAWING NO	FC24-AS5		
PART NAME	flywheel Set;ECB		
PART NO	1000418109	REV	B
APPROVE	BENSON	DATE	20171206



DRAWING NO	FC24-AD17		
PART NAME	Adjustable Handle Group		
PART NO	1000421471 		
APPROVE	Benson	DATE	20180620



DRAWING NO	FC24-AW10
PART NAME	WiFi Wireless module Set
PART NO	1000408815
APPROVE	Hsinyen
DATE	020818

