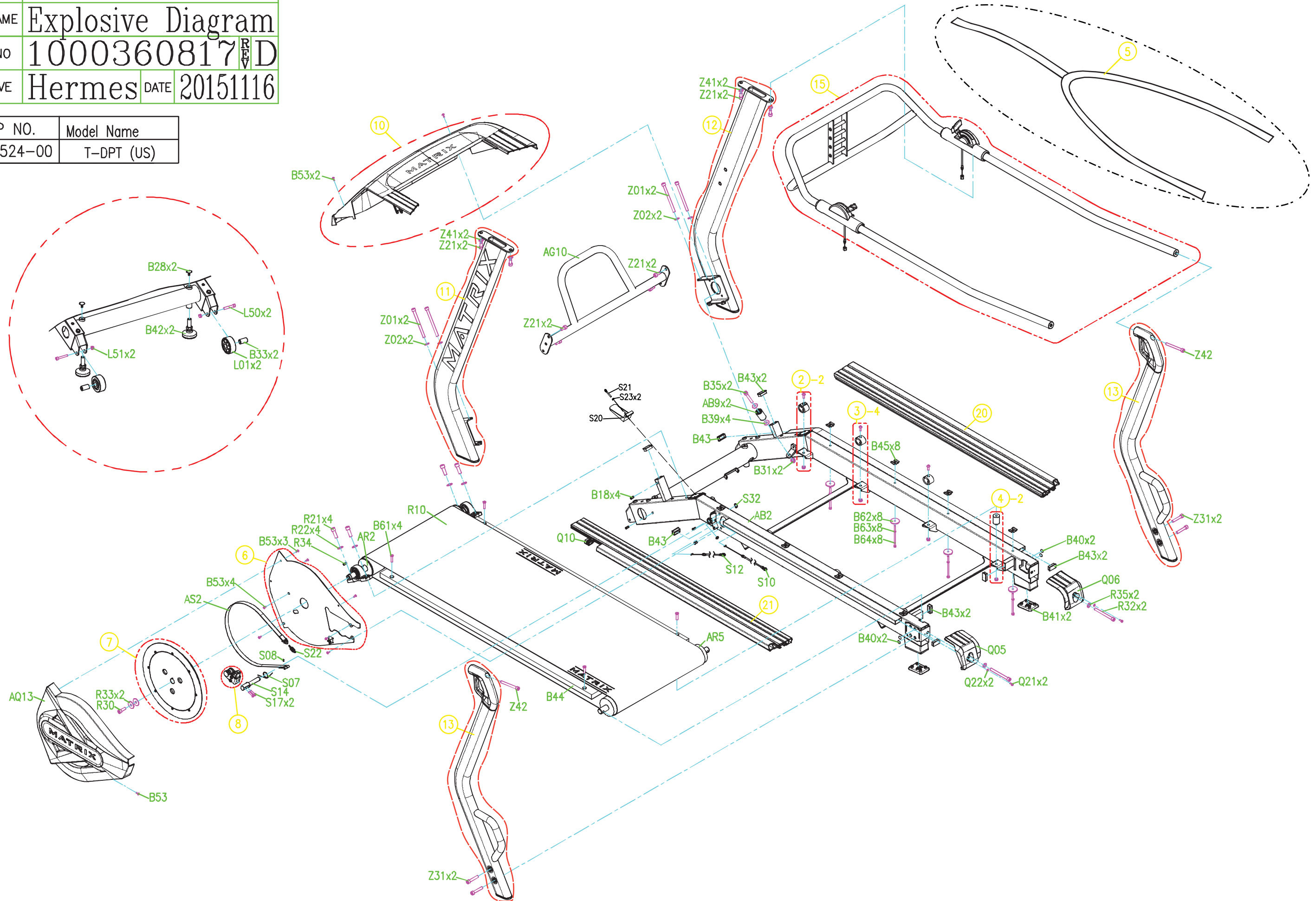


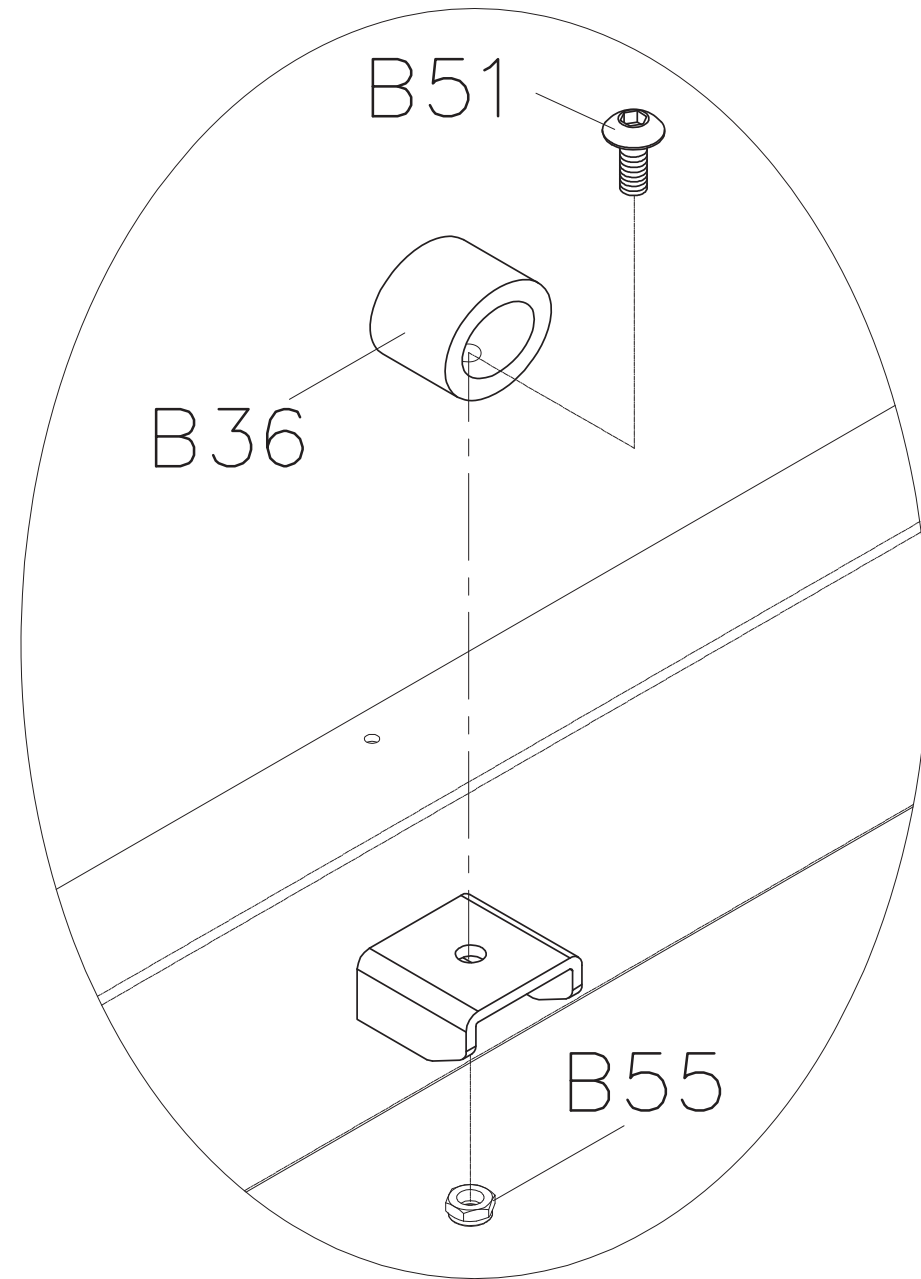
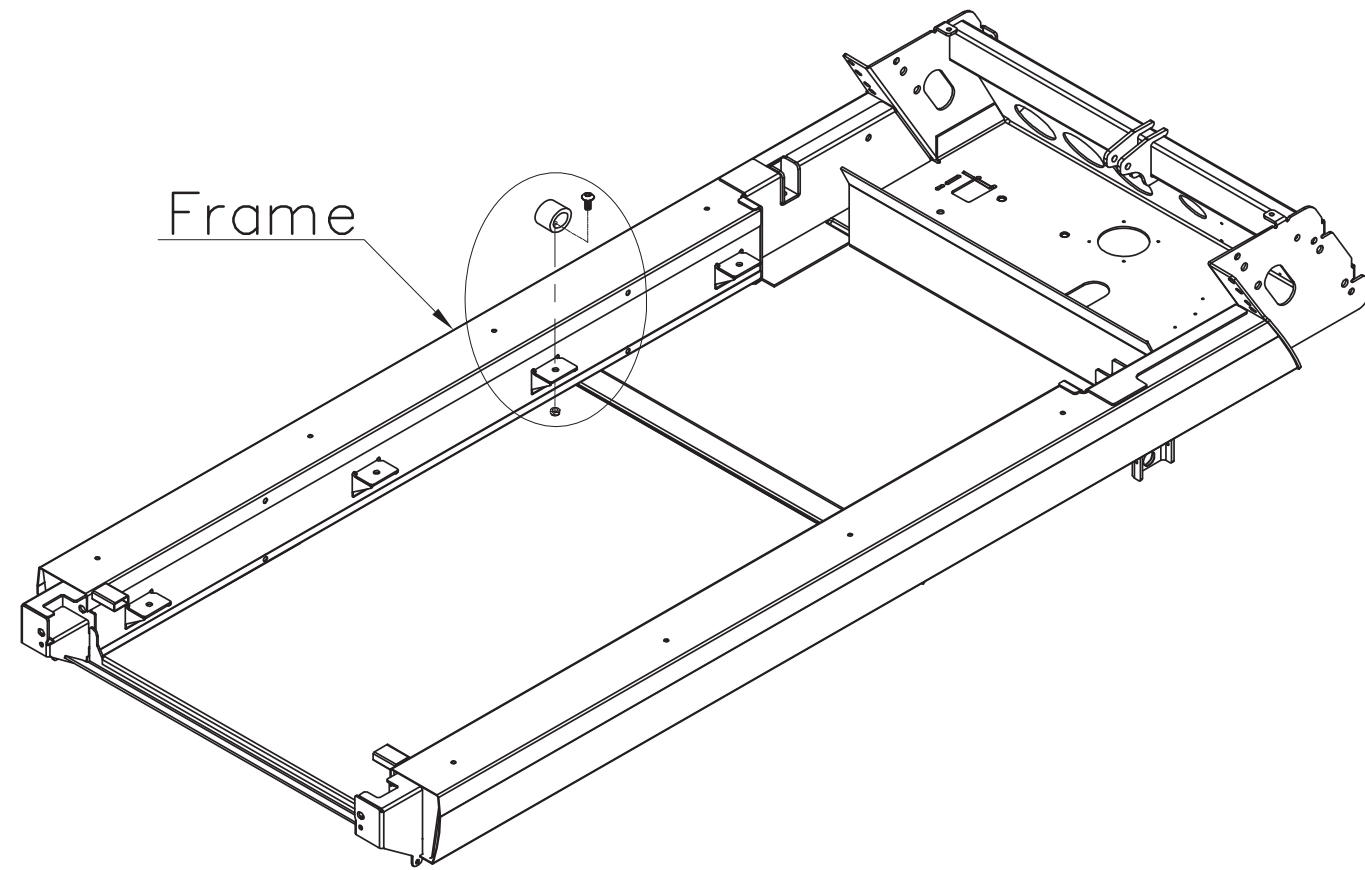
DRAWING NO	TM529-A04		
PART NAME	Explosive Diagram		
PART NO	1000360817 REV D		
APPROVE	Hermes	DATE	20151116

SAP NO.	Model Name
MTM0524-00	T-DPT (US)



DRAWING NO	TM501-AB22		
PART NAME	Elastomer Set;Running Deck;Middle		
PART NO	As Attachment <sup>R</sup> / <sub>V</sub> B		
APPROVE	S.T.C	DATE	060512

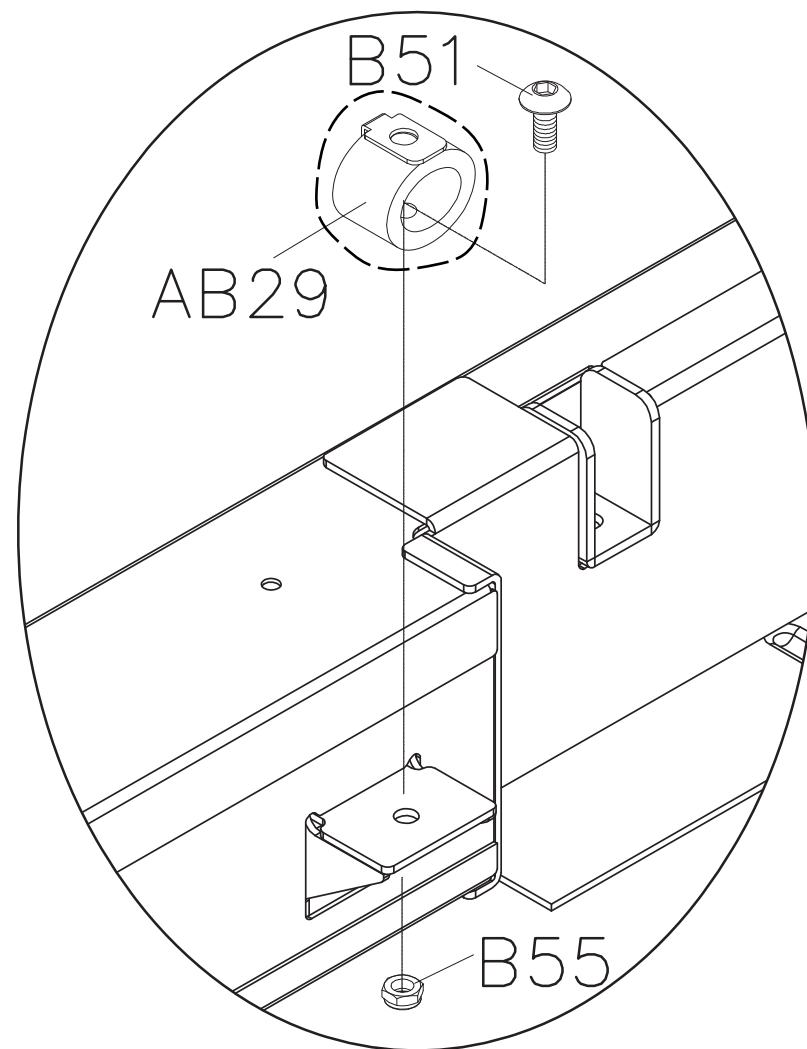
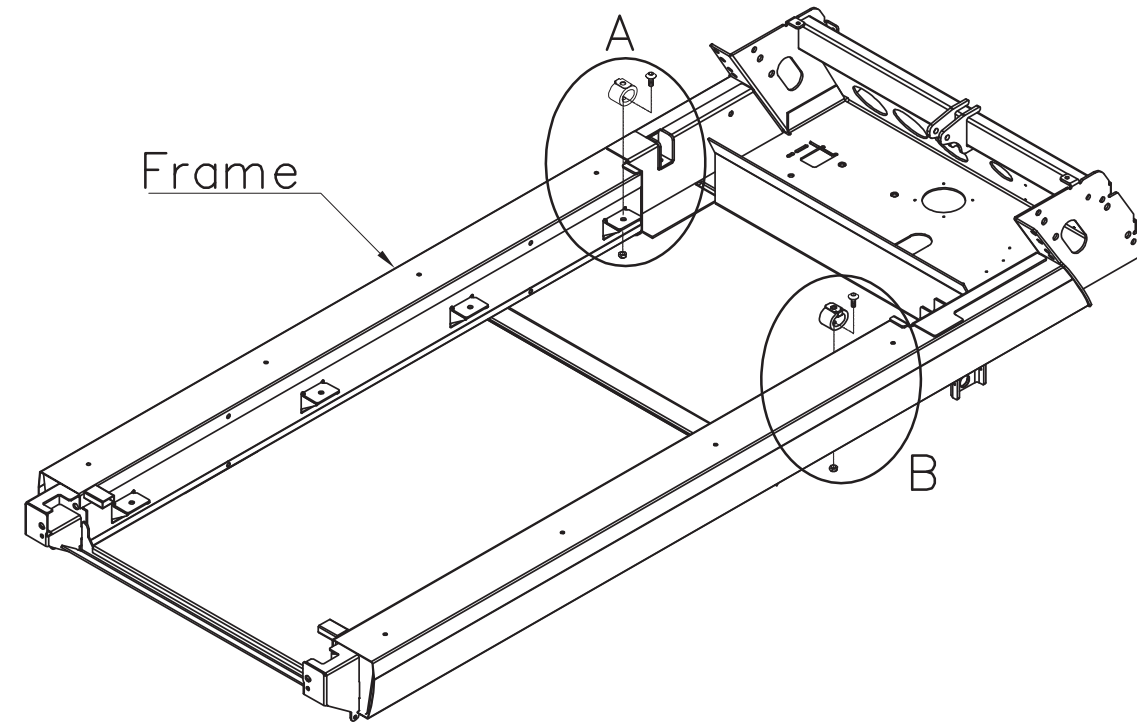
Part No.	Description
0000089488	Nai Ri
1000233264	Miner



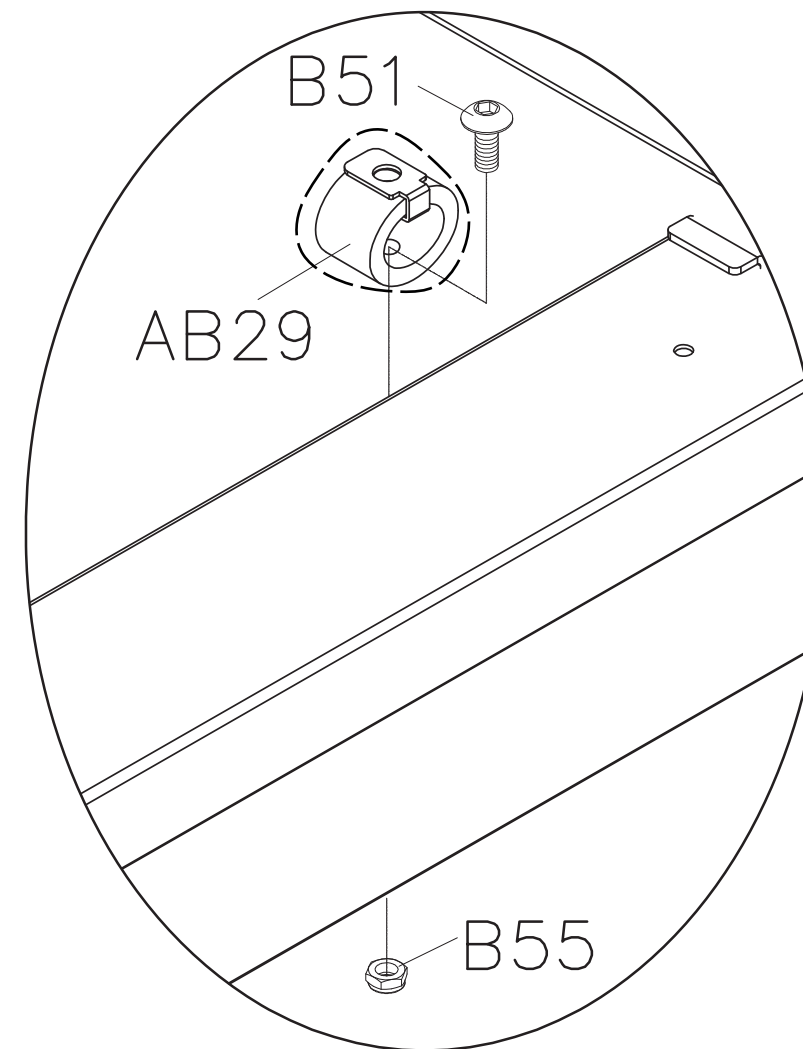
A(1:5)

DRAWING NO	TM501-AB21		
PART NAME	Elastomer Set;Running Deck;Front		
PART NO	As Attachment		
APPROVE	S.T.C	DATE	060512

Part No.	Description
0000089487	Nai Ri
1000233263	Miner

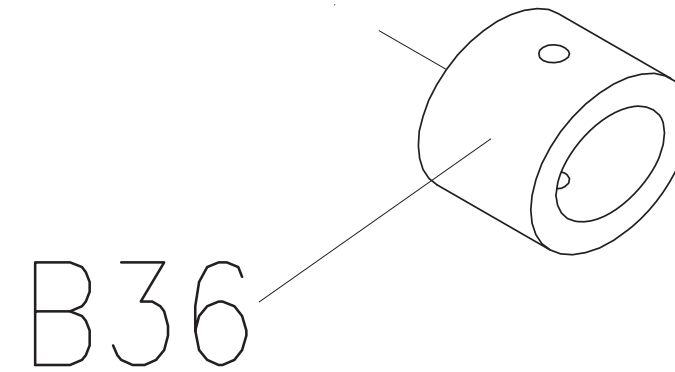
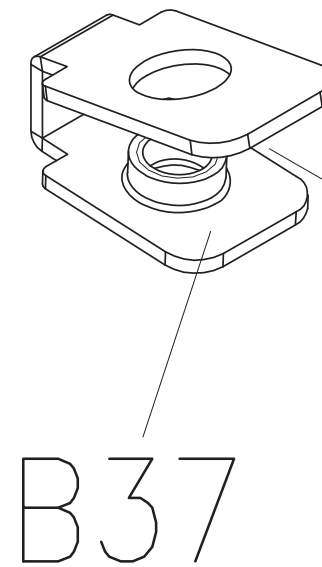
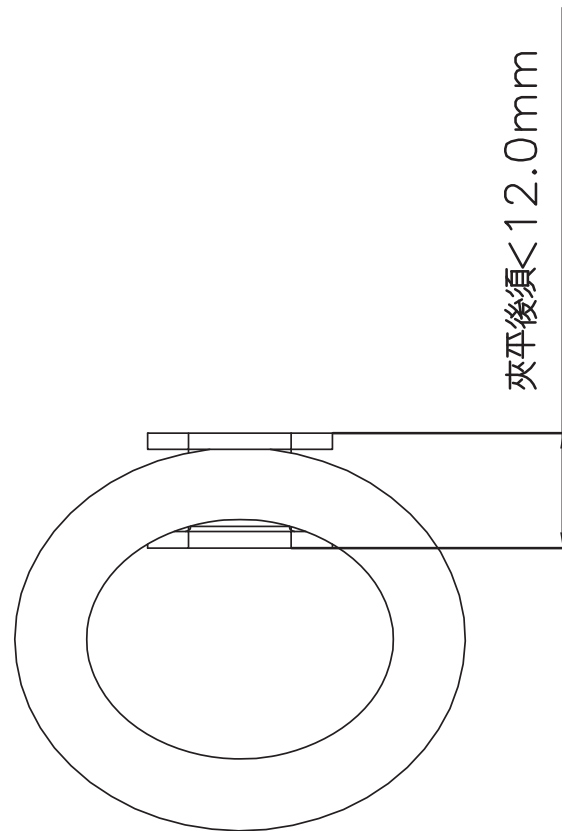
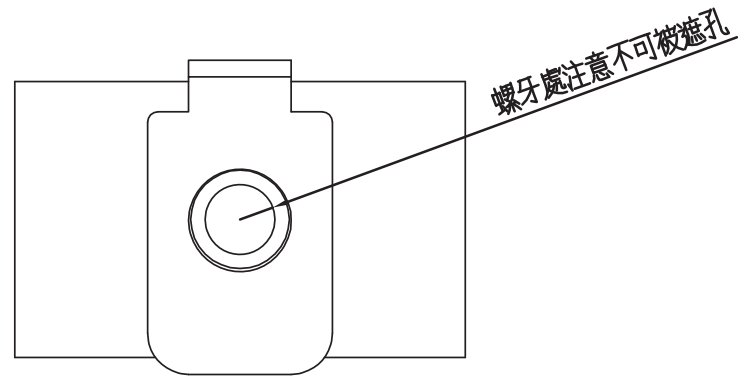
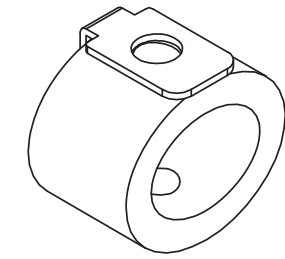


A 詳圖(1:5)



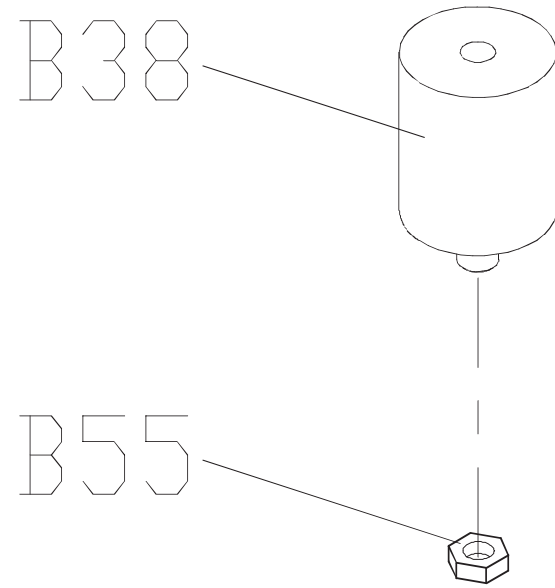
B 詳圖(1:5)

DRAWING NO	TM501-AB29		
PART NAME	Elastomer Set; Miner		
PART NO	As Attachment <sup>REV</sup> C		
APPROVE	S.T.C	DATE	092110

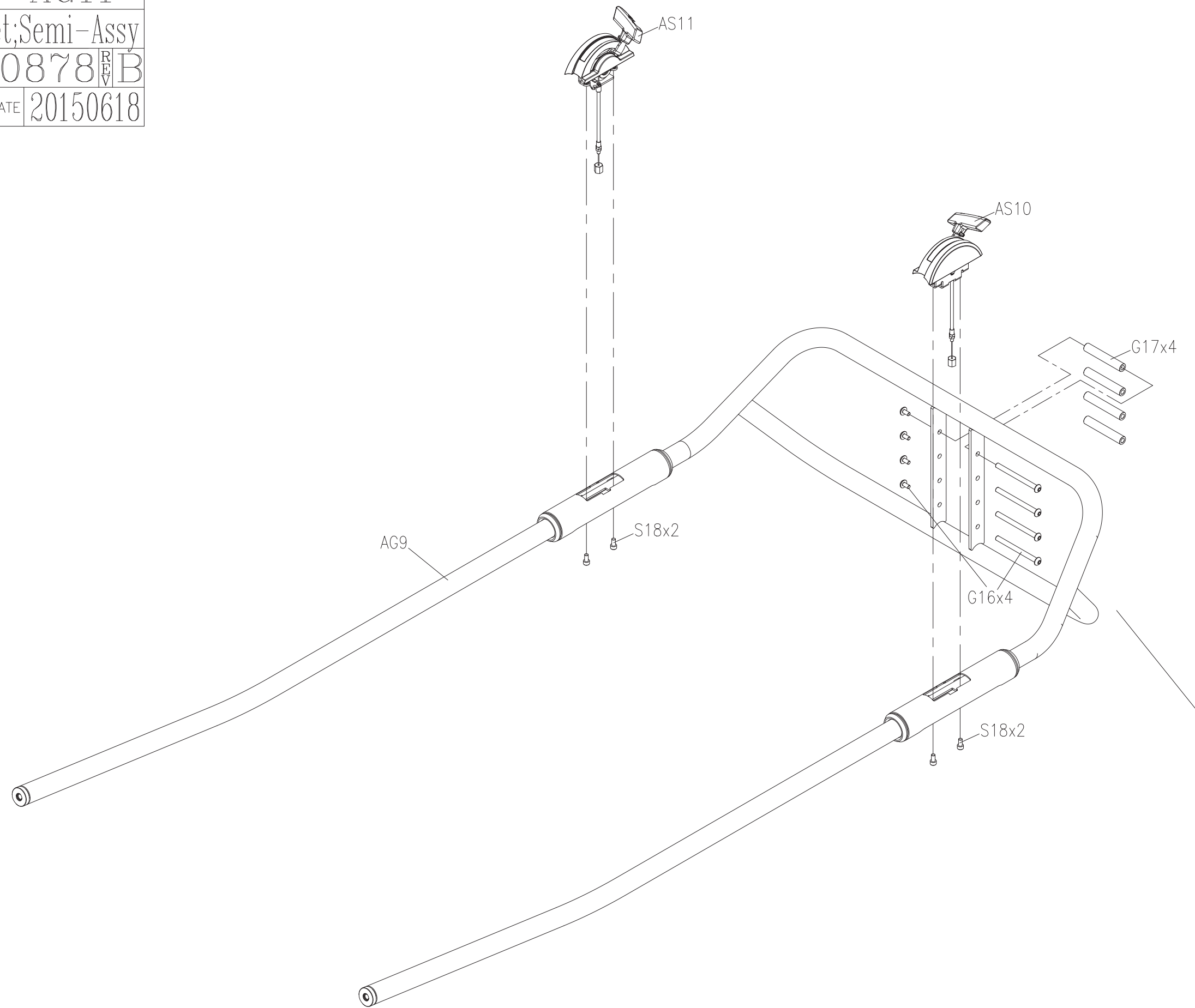


Part No.	Description
1000204015	Miner
0000095663	Nai Ri

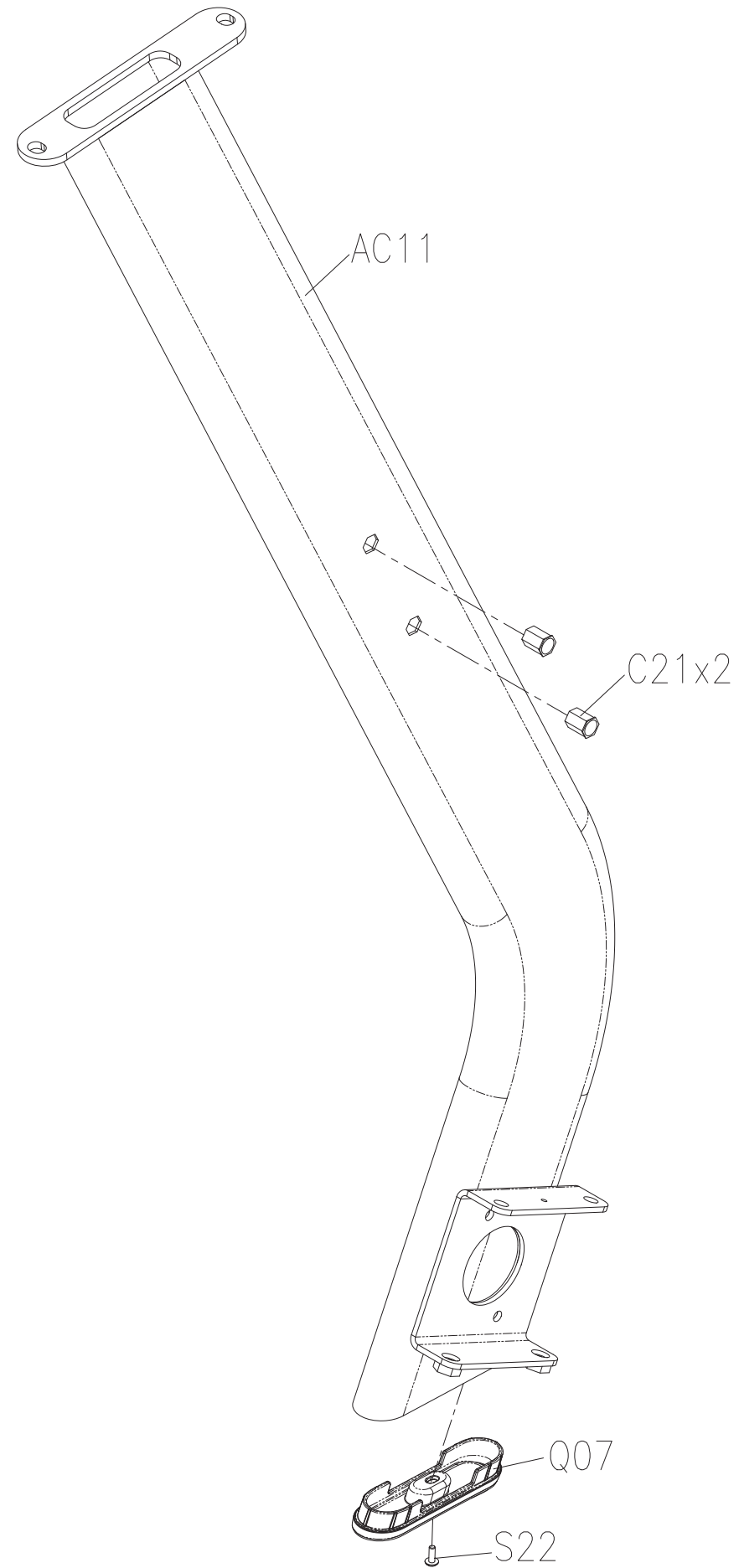
DRAWING NO	TM501-AB23		
PART NAME	Elastomer Set;Running Deck;Back		
PART NO	0000089489 <sup>R</sup> <sub>E</sub> B		
APPROVE	SHUYI	DATE	122413



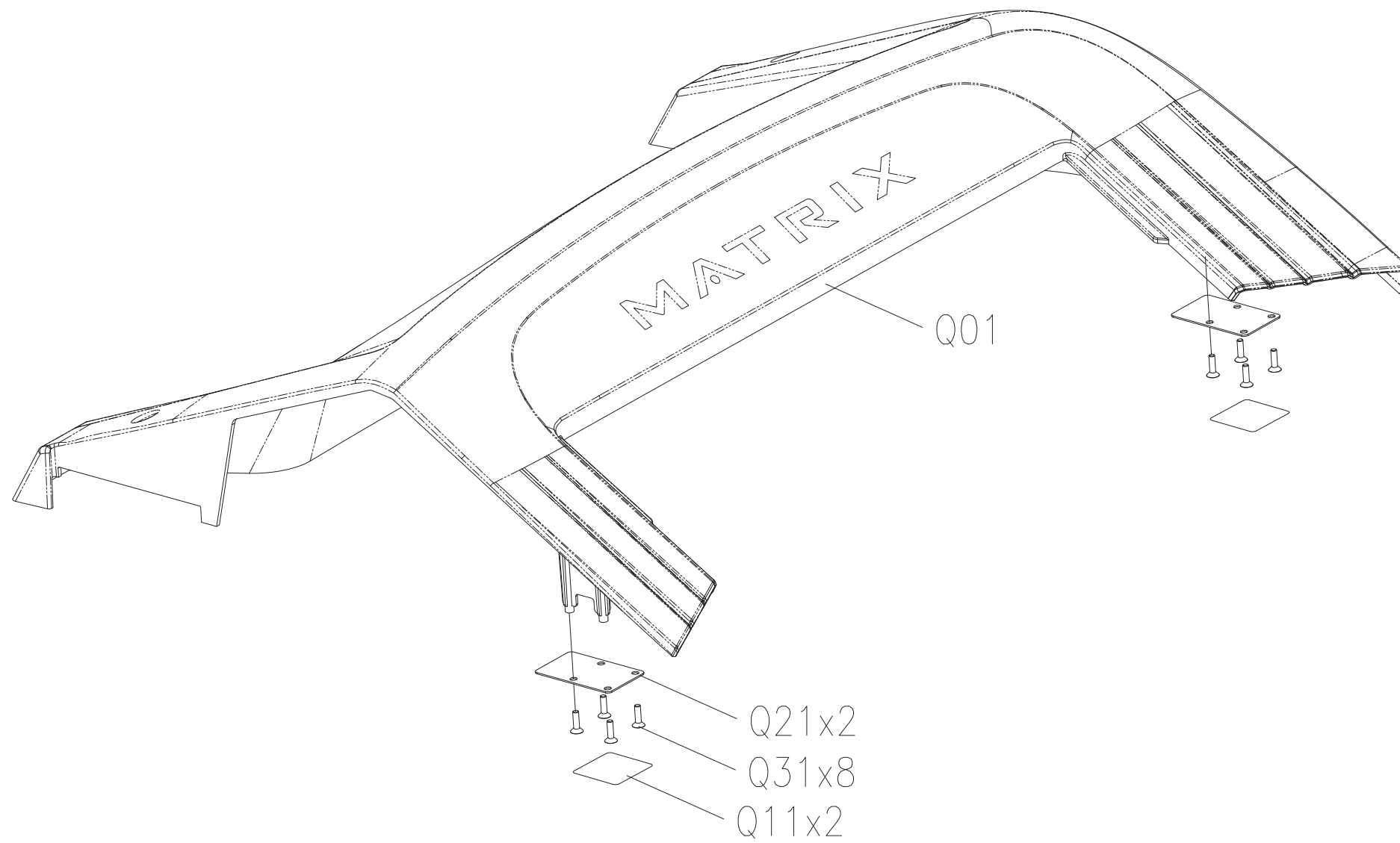
DRAWING NO	TM529-AG11		
PART NAME	Arm Rest Set;Semi-Assy		
PART NO	1000360878 <sup>R</sup> / <sub>E</sub> / <sub>V</sub> B		
APPROVE	Hermes	DATE	20150618



DRAWING NO	TM529-AC12		
PART NAME	Support Tube Set;left;Armrest		
PART NO	1000360856 <sup>R</sup> <sub>E</sub> B		
APPROVE	Hermes	DATE	20150618

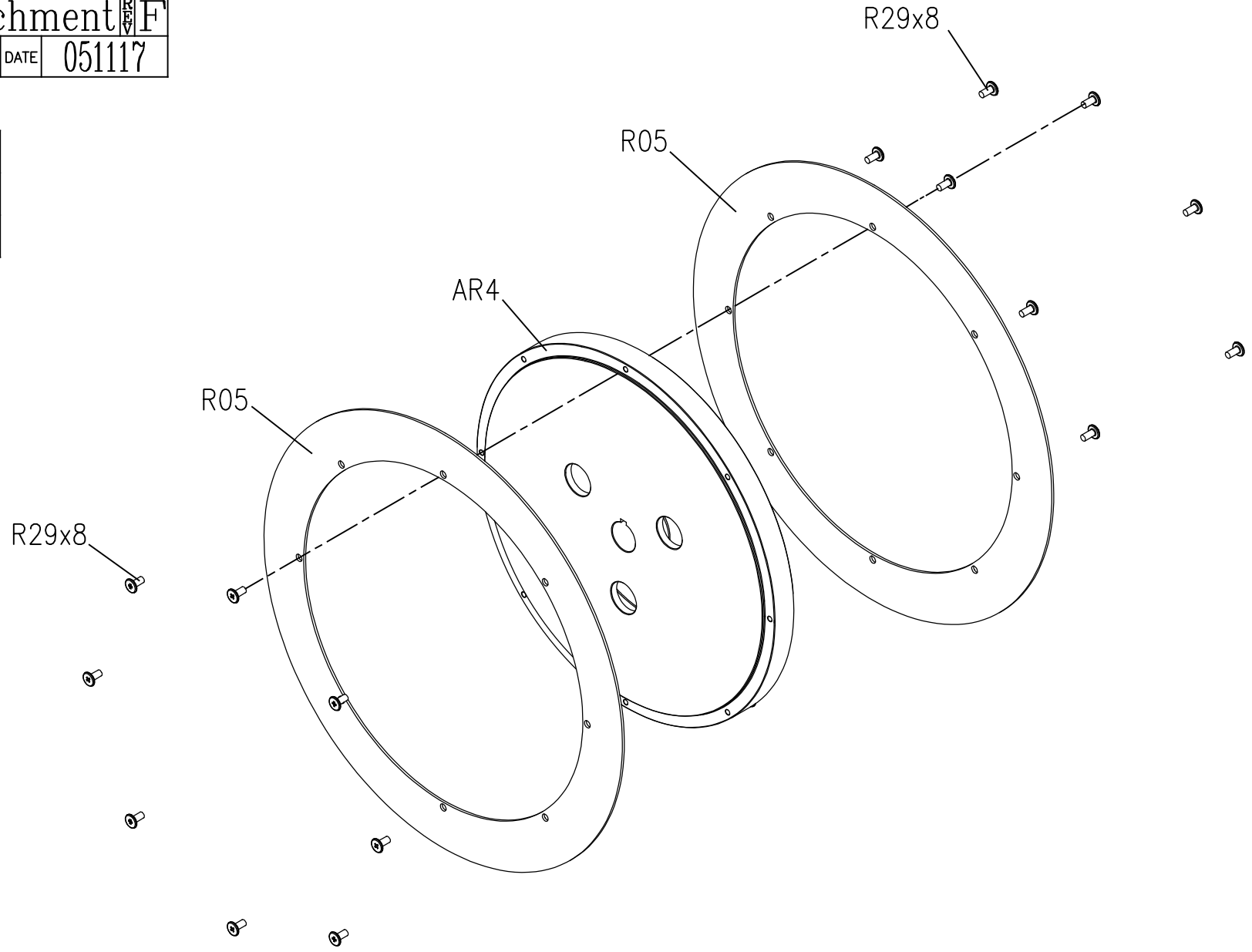


DRAWING NO	TM529-AQ2		
PART NAME	shield set;Frame		
PART NO	1000360921 REC		
APPROVE	Hermes	DATE	20151002

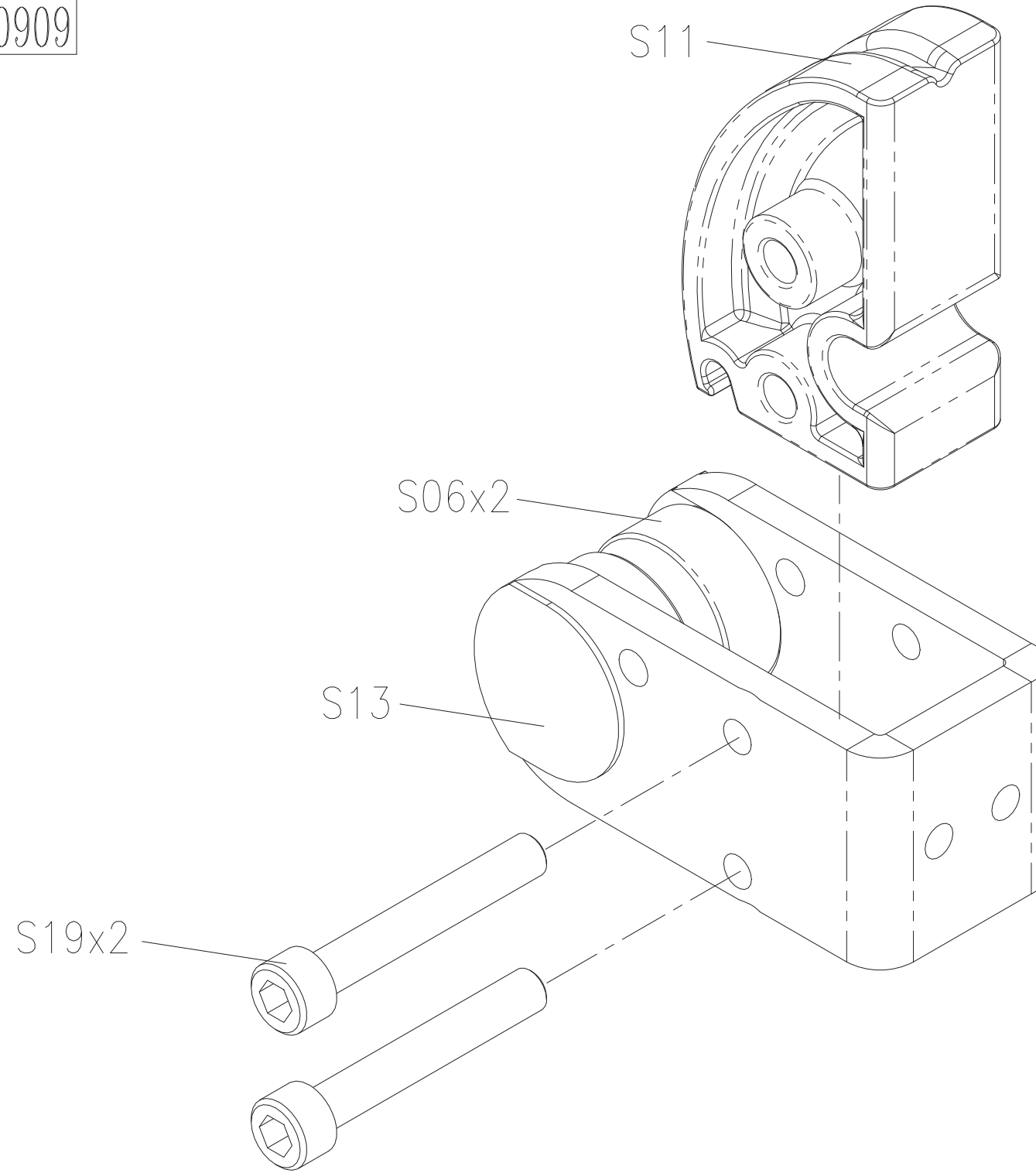


DRAWING NO	TM529-AR3		
PART NAME	Fly Wheel Set		
PART NO	As Attachment  F		
APPROVE	SHUYI	DATE	051117

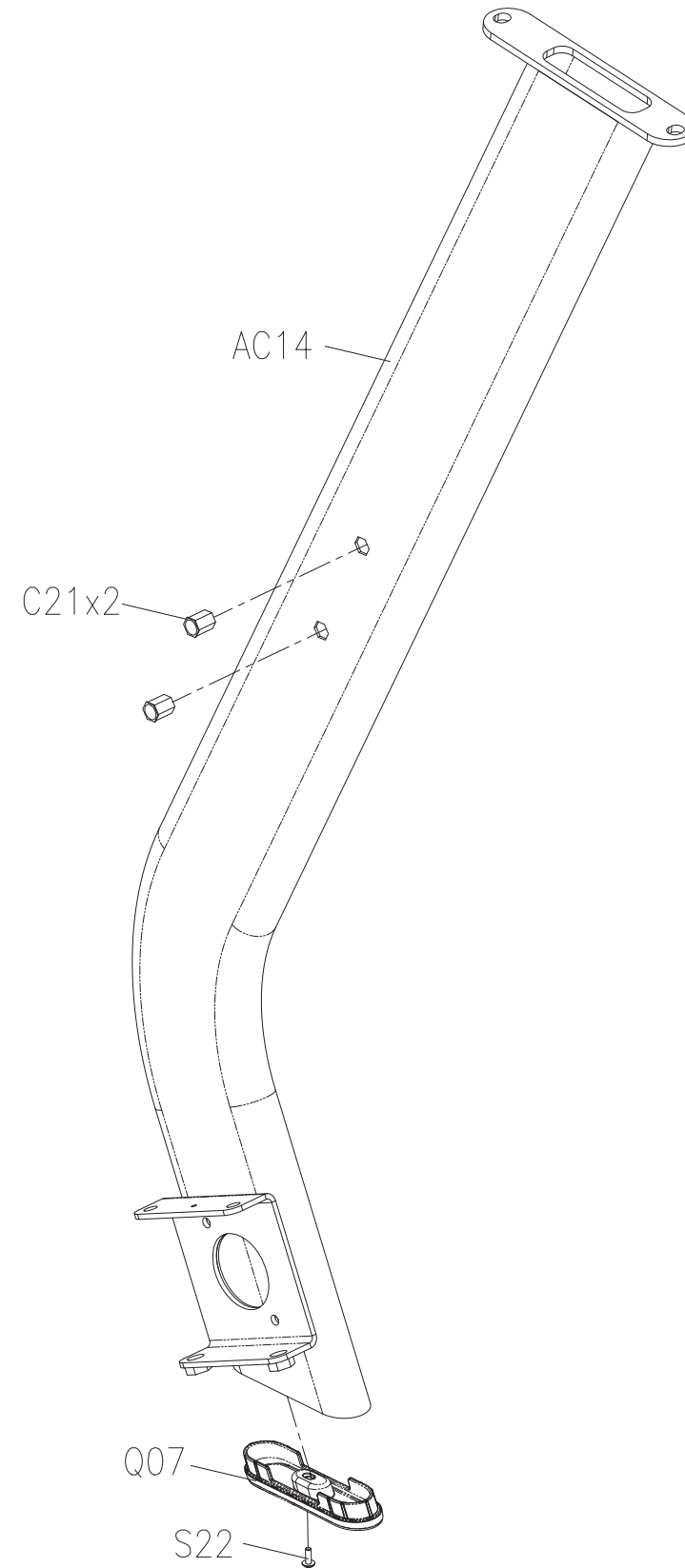
SAP NO.
1000360934
1000409417



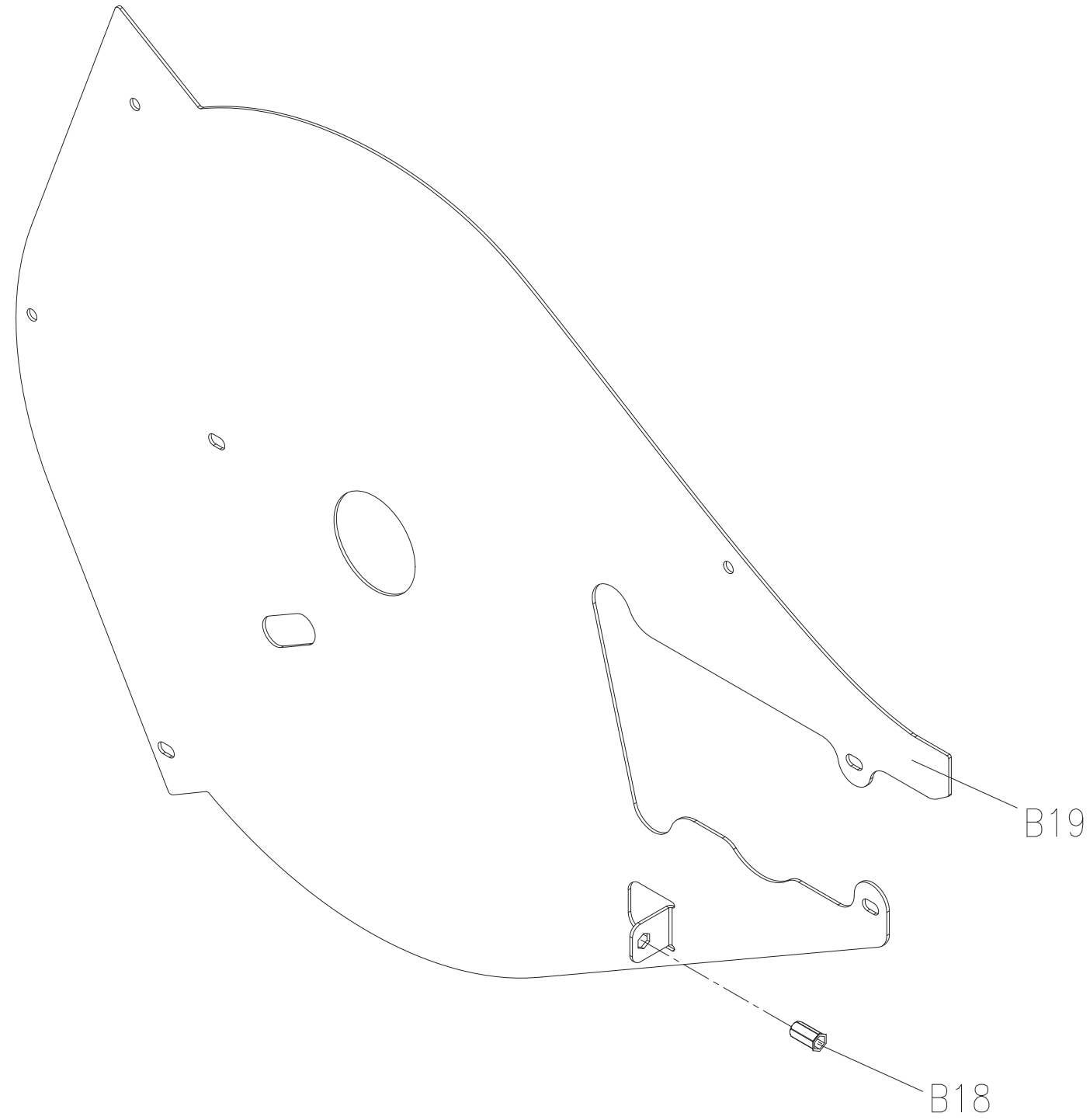
DRAWING NO	TM529-AS1		
PART NAME	ECB Set		
PART NO	1000360938	REV	C
APPROVE	Hermes	DATE	20150909



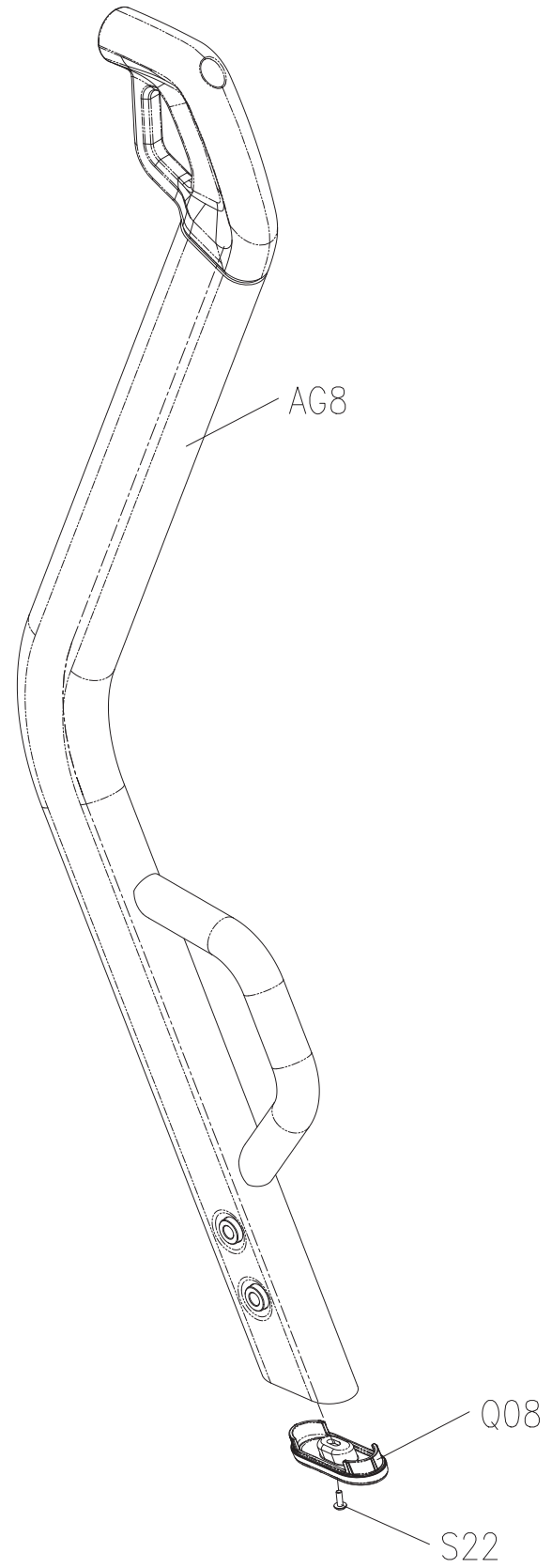
DRAWING NO	TM529-AC13		
PART NAME	Support Tube Set;Right;Armrest		
PART NO	1000364026 <sup>REV</sup> B		
APPROVE	Hermes	DATE	20150618



DRAWING NO	TM529-AB19		
PART NAME	Protected Sleeve;;Inner		
PART NO	1000369184 <sup>R</sup> <sub>E</sub> <sup>V</sup> B		
APPROVE	Hermes	DATE	20150618



DRAWING NO	TM529-AG7		
PART NAME	Support Tube Set;back;Armrest		
PART NO	1000364029 <sup>R</sup> <sub>E</sub> B		
APPROVE	Hermes	DATE	20150618



DRAWING NO	TM529-B46		
PART NAME	Seat belt Set;Elastic		
PART NO	1000360854  E		
APPROVE	MING	DATE	20161220

