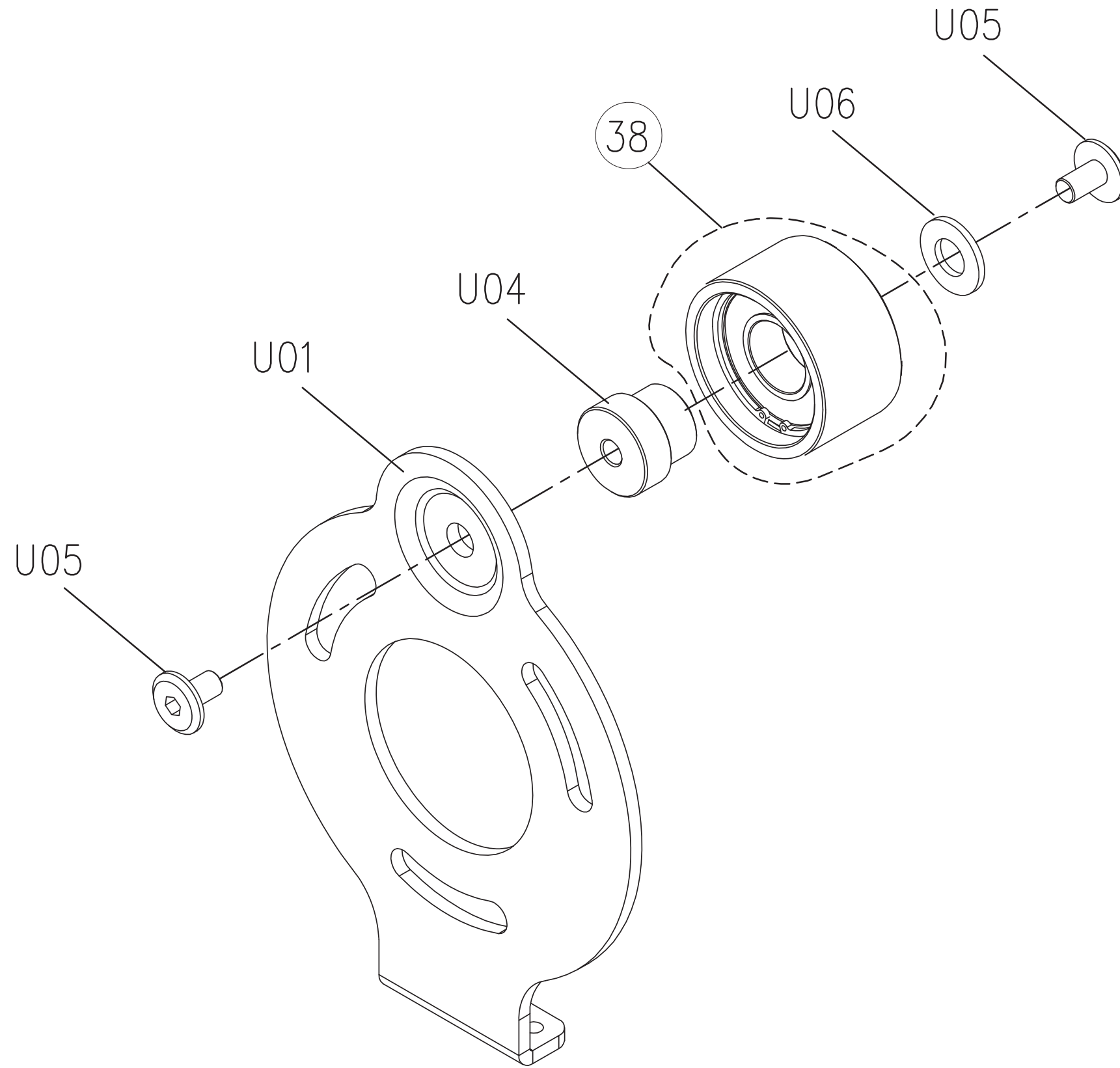
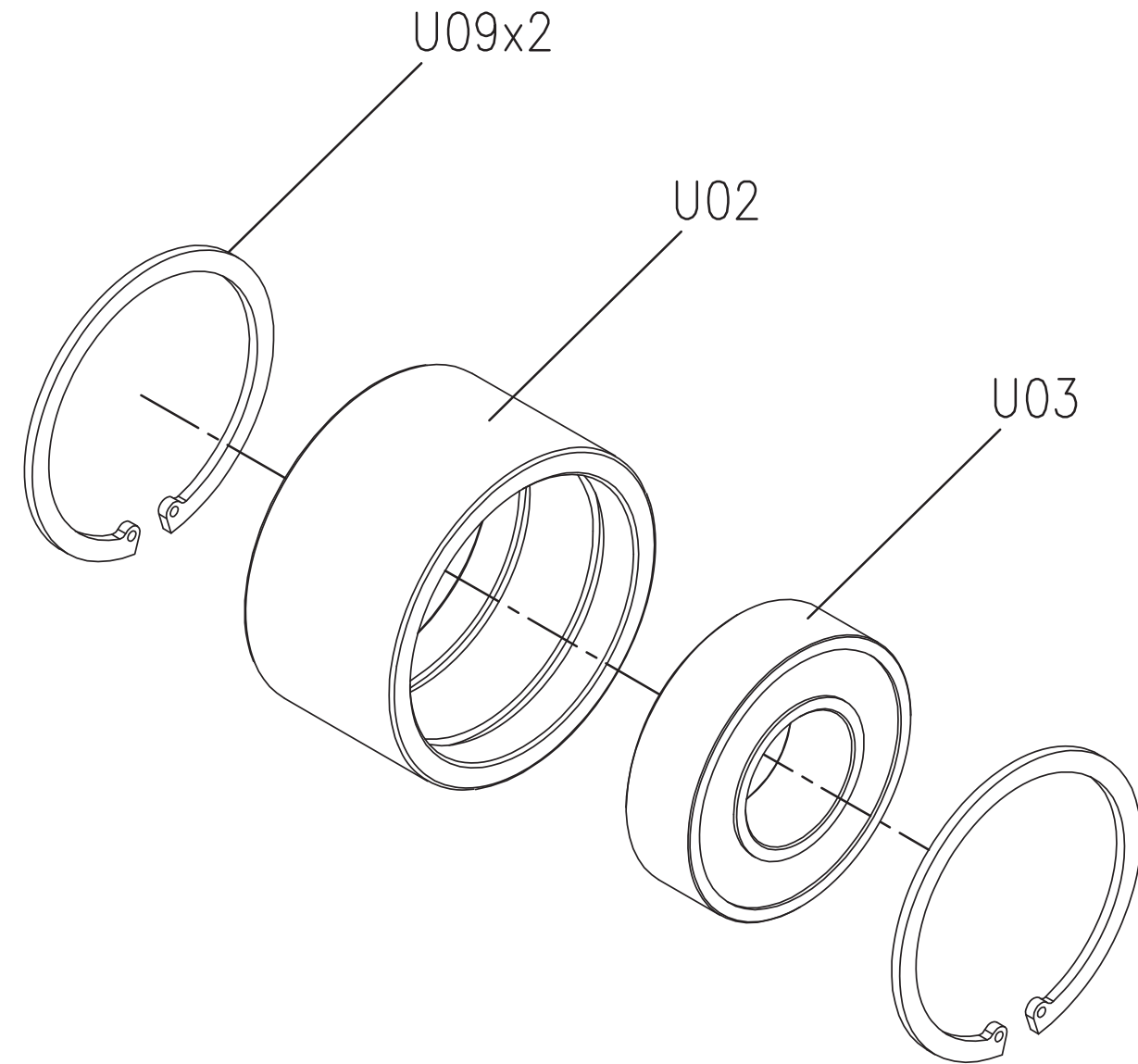




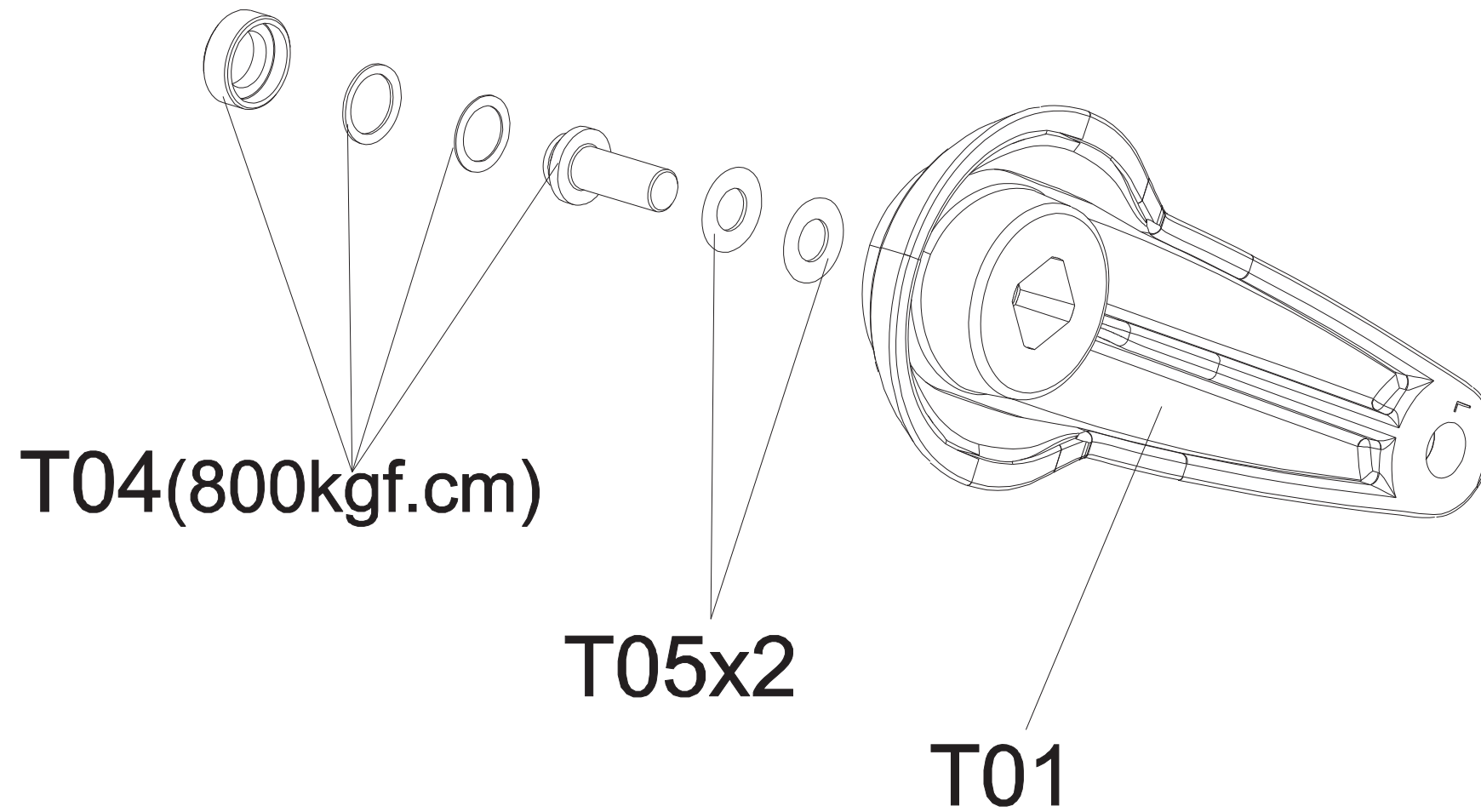
DRAWING NO	CB92-AU3		
PART NAME	Idler Fix Plate Set		
PART NO	1000230354 <sup>R</sup> <sub>B</sub>		
APPROVE	KEN	DATE	20121217



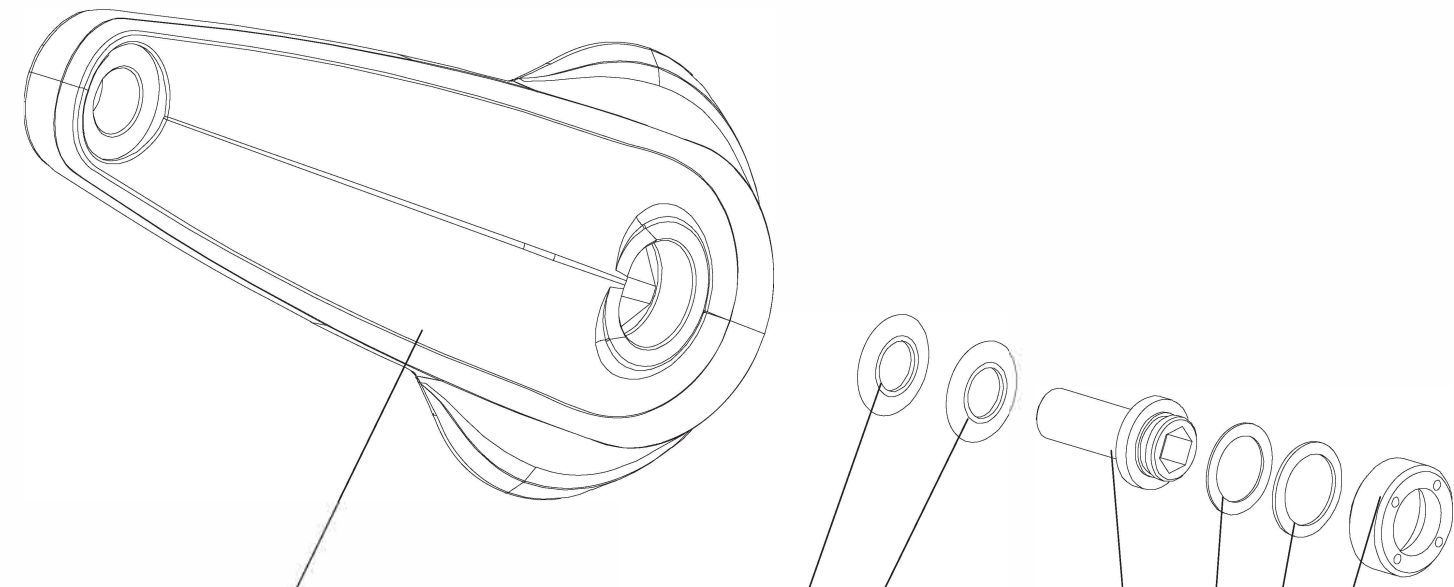
DRAWING NO	CB92-AU4		
PART NAME	Idler Set		
PART NO	1000307358	REV	B
APPROVE	KEN	DATE	20130116



DRAWING NO	RB162-AT11		PART NO.	Describes
PART NAME	Left Crank Set		1000345278	Left Crank set;Grey;RB162
PART NO		REV	1000393624	Left Crank set;Red;RB162D
APPROVE	Xiaokaicong	DATE	20161018	



DRAWING NO	RB162-AT12		PART NO.	Describes
PART NAME	Right Crank Set		1000345280	Right Crank set;Grey;RB162
PART NO		REV A	1000393627	Right Crank set;Red;RB162D
APPROVE	Xiaokaicong	DATE	20161018	

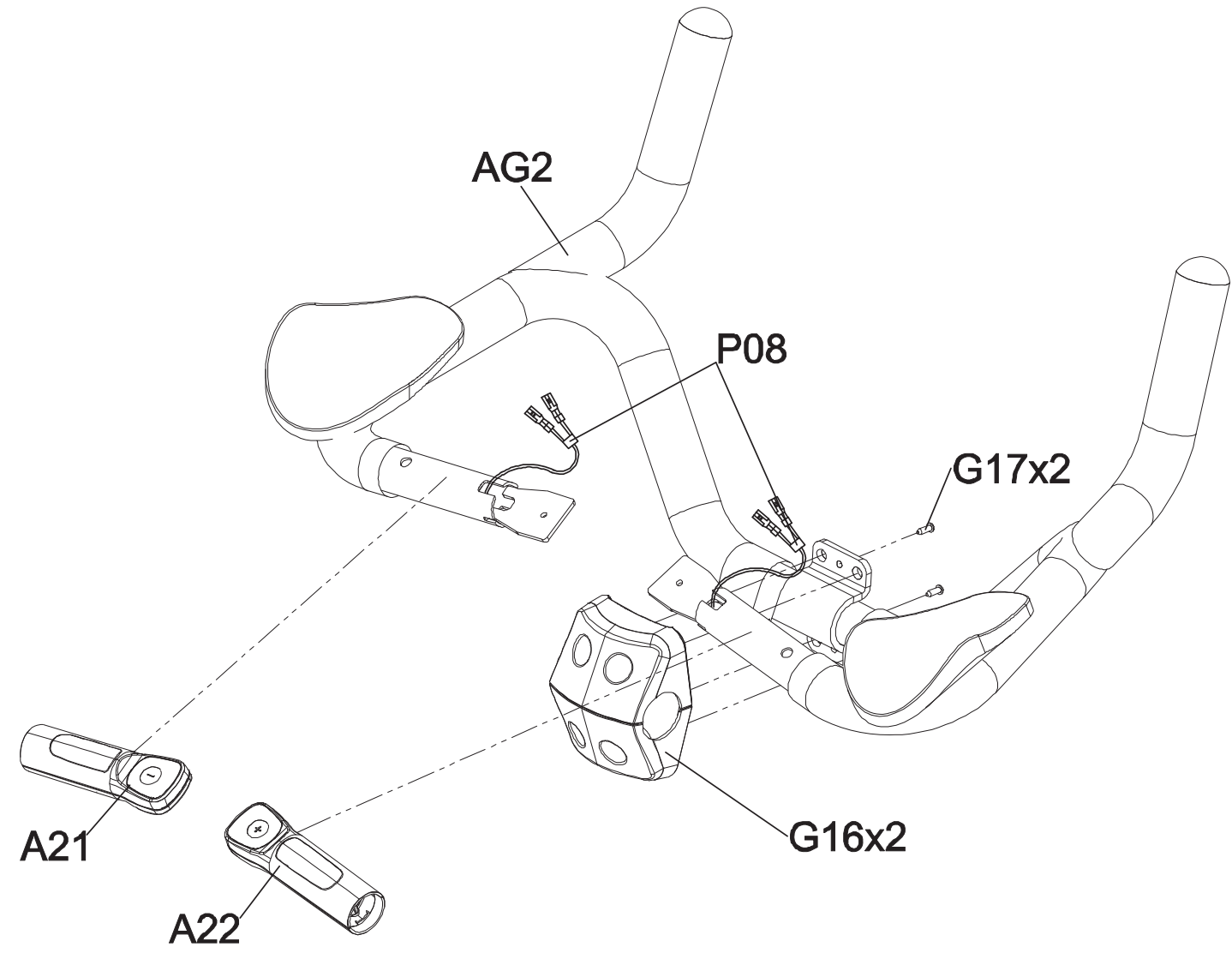


T02

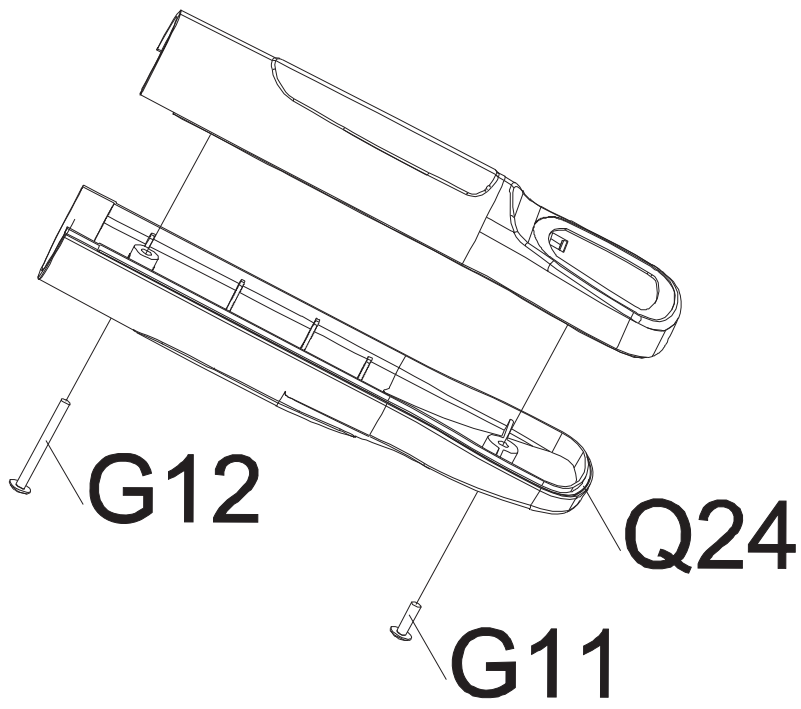
T05x2

T04(800kgf.cm)

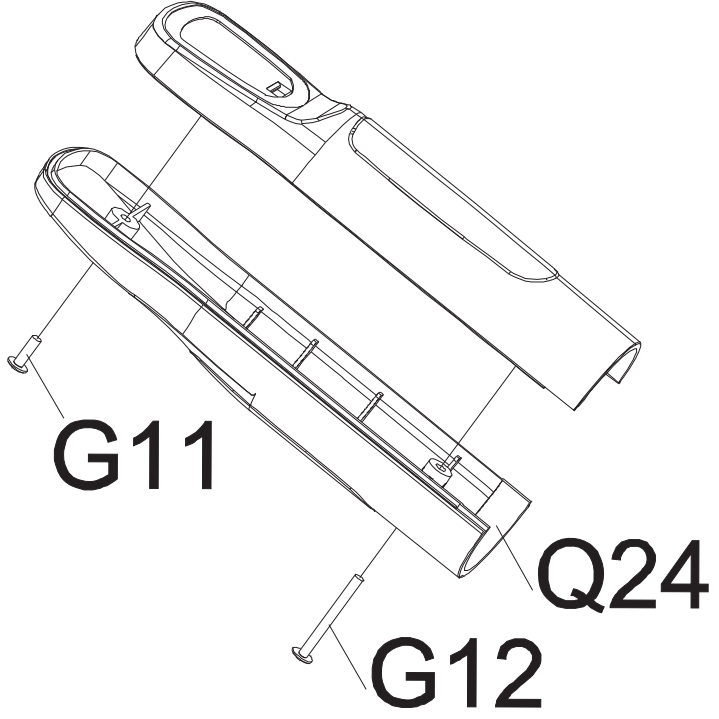
DRAWING NO	CB171-A23		
PART NAME	handlebar set		
PART NO	1000411443	REV	A
APPROVE	Michael	DATE	2017.6.29



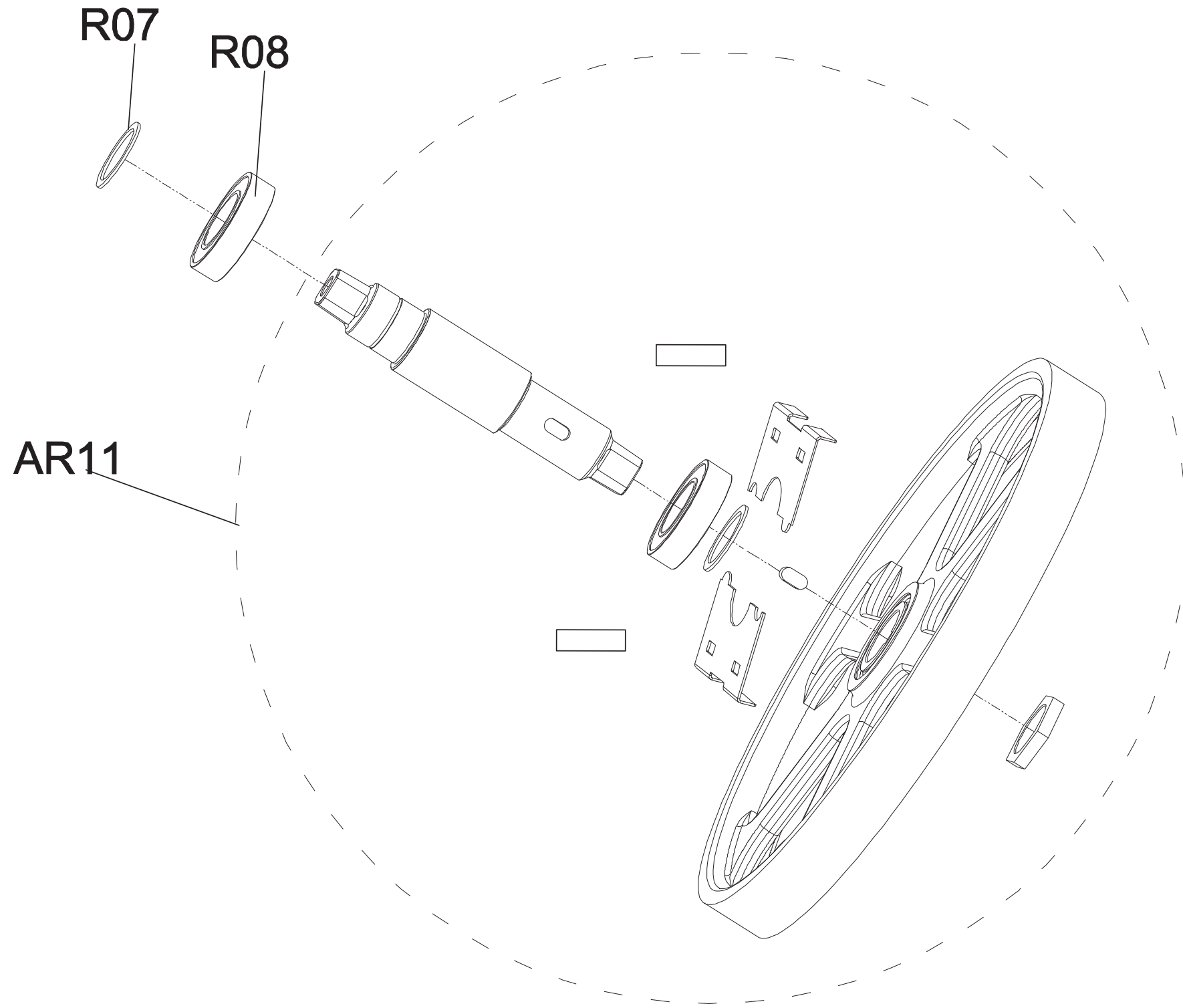
DRAWING NO	CB171-A21		
PART NAME	handlebar grip set		
PART NO	1000363496	REV	A
APPROVE	Michael	DATE	2016.5.25



DRAWING NO	CB171-A22		
PART NAME	handlebar grip set		
PART NO	1000363497	REV	A
APPROVE	Michael	DATE	2016.5.25



DRAWING NO	RB162-AR11		
PART NAME	Transmission Set		
PART NO	1000381731	REV	A
APPROVE	Xiaokaicong	DATE	2016.08.27



DRAWING NO	CB171-AD12		
PART NAME	Seat tube set		
PART NO	1000390956	REV	A
APPROVE	Michael	DATE	2016.5.25

