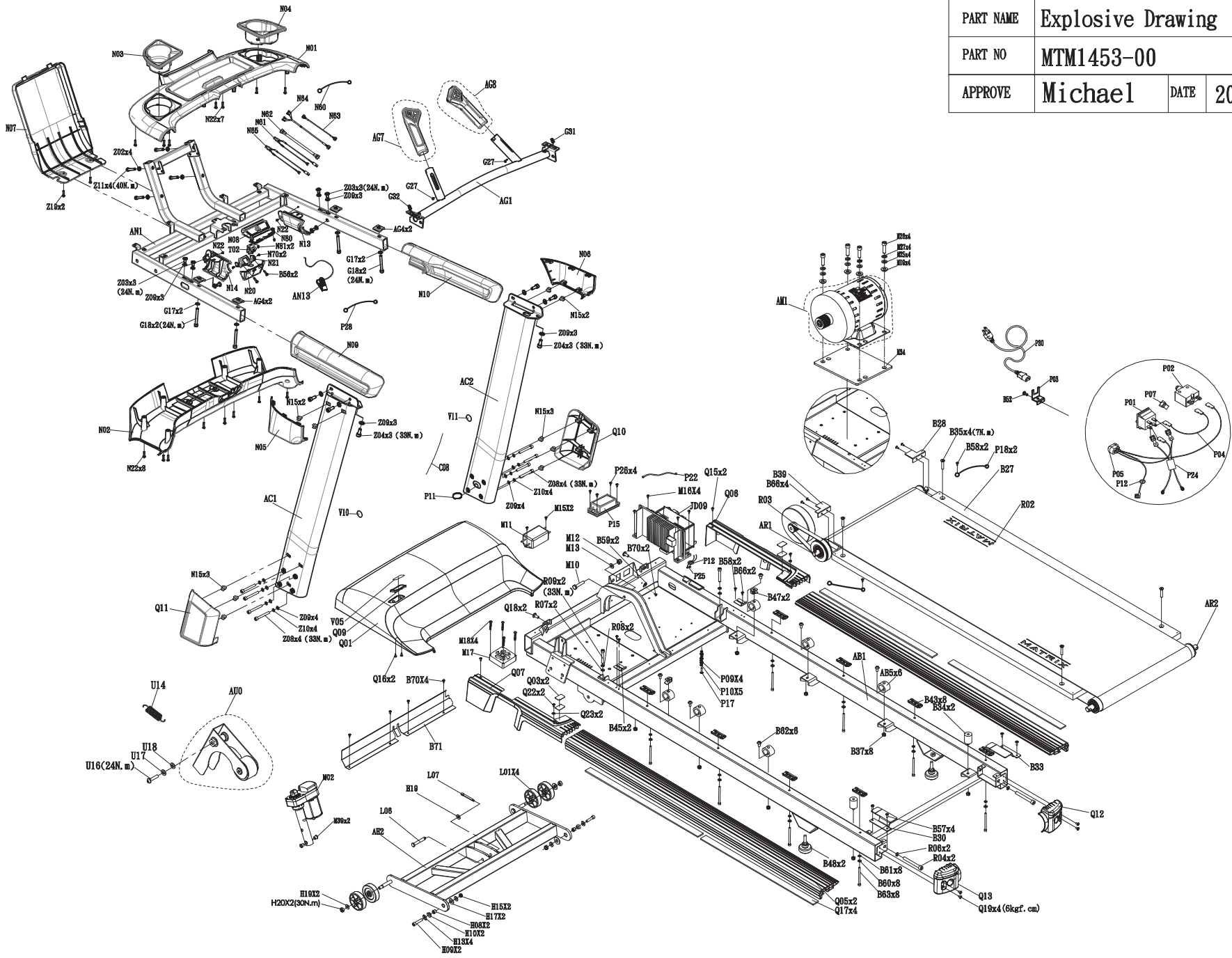
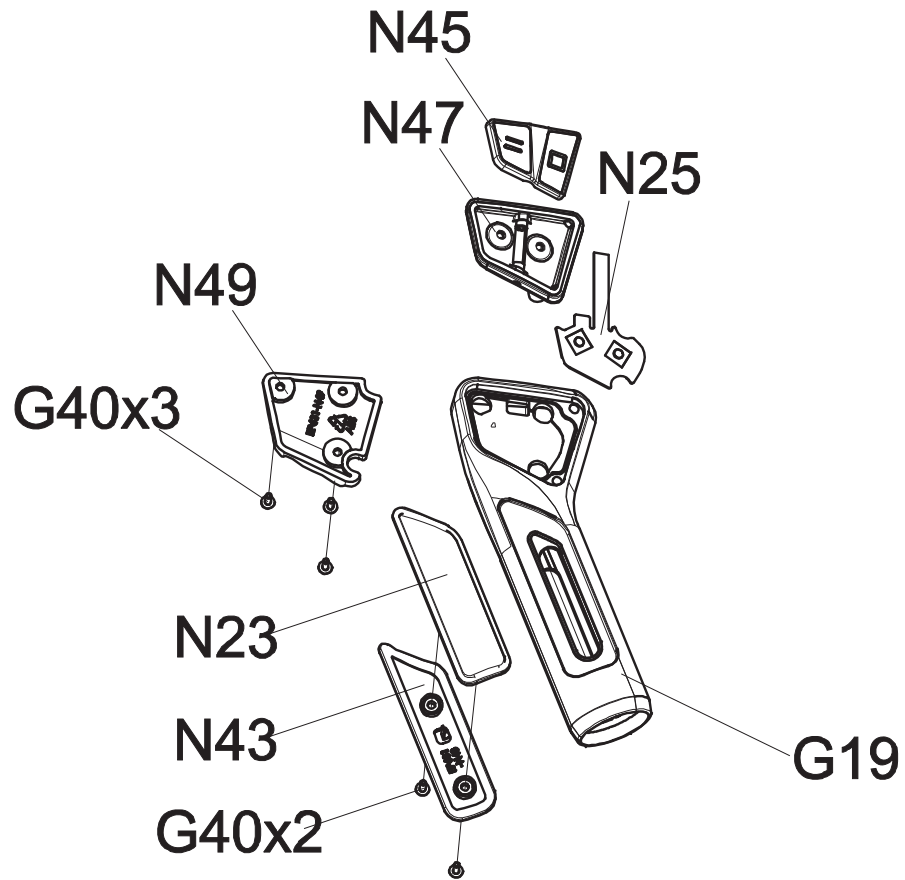


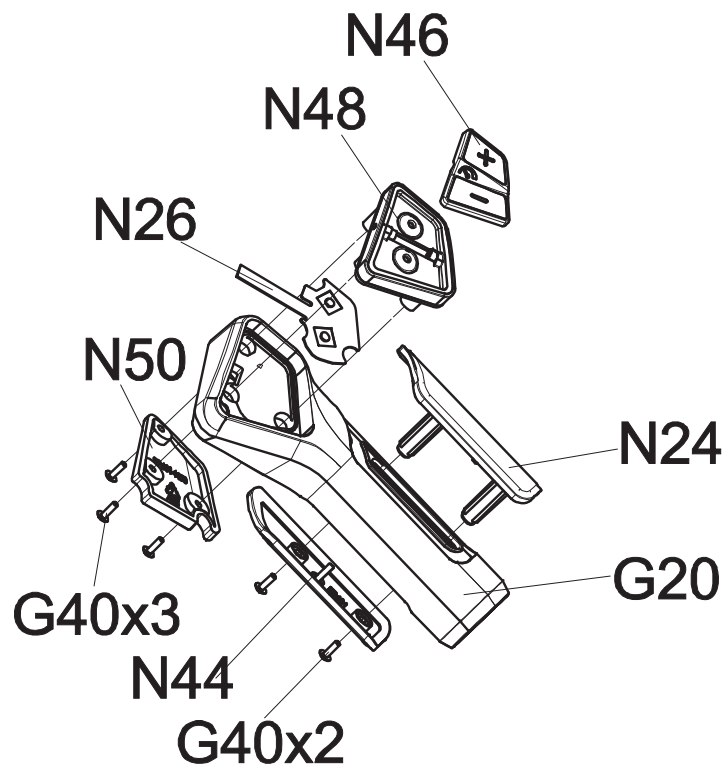
DRAWING NO	PTM759C-1US		
PART NAME	Explosive Drawing		
PART NO	MTM1453-00	REV	A
APPROVE	Michael	DATE	2020.03.16



DRAWING NO	TM759-AG7		
PART NAME	Grip Set;Semi-Assy-L		
PART NO	1000450780	REV	A
APPROVE	Michael	DATE	2020.03.15

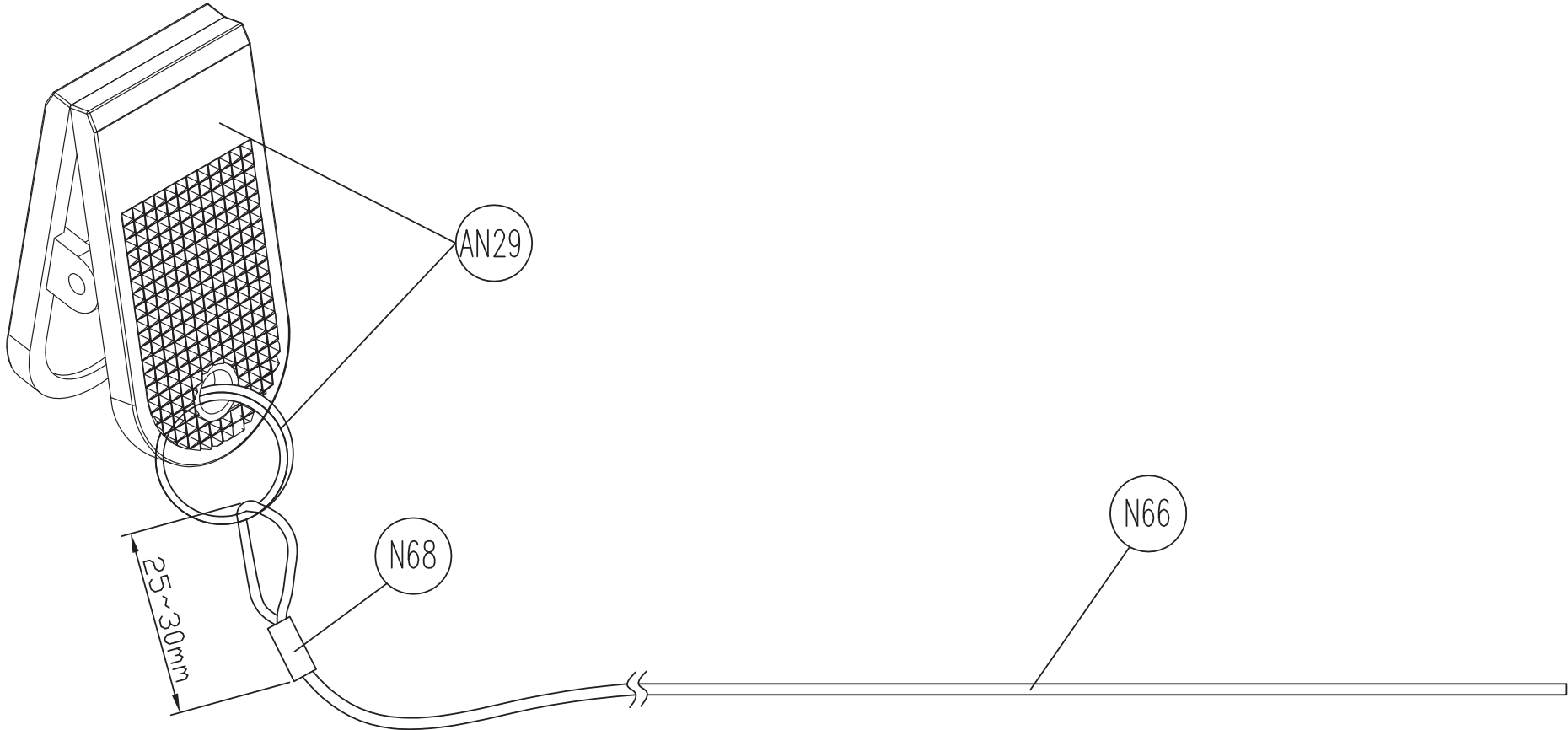



DRAWING NO	TM759-AG8		
PART NAME	Grip Set;Semi-Assy-R		
PART NO	1000450781	R V	A
APPROVE	Michael	DATE	2020.03.15



DRAWING NO	TM501-AN13		
PART NAME	Safety Switch Set		
PART NO	1000231246		
APPROVE	SHUYI	DATE	070813

備註: 組裝後總長度(含夾子/鑰匙圈)860~870mm
Note: Length of assembly(Chip/Key ring)860~870mm



DRAWING NO	TM501-AN29		
PART NAME	Safety Switch Clip Set		
PART NO	1000231247		A
APPROVE	S.T.C	DATE	032612

