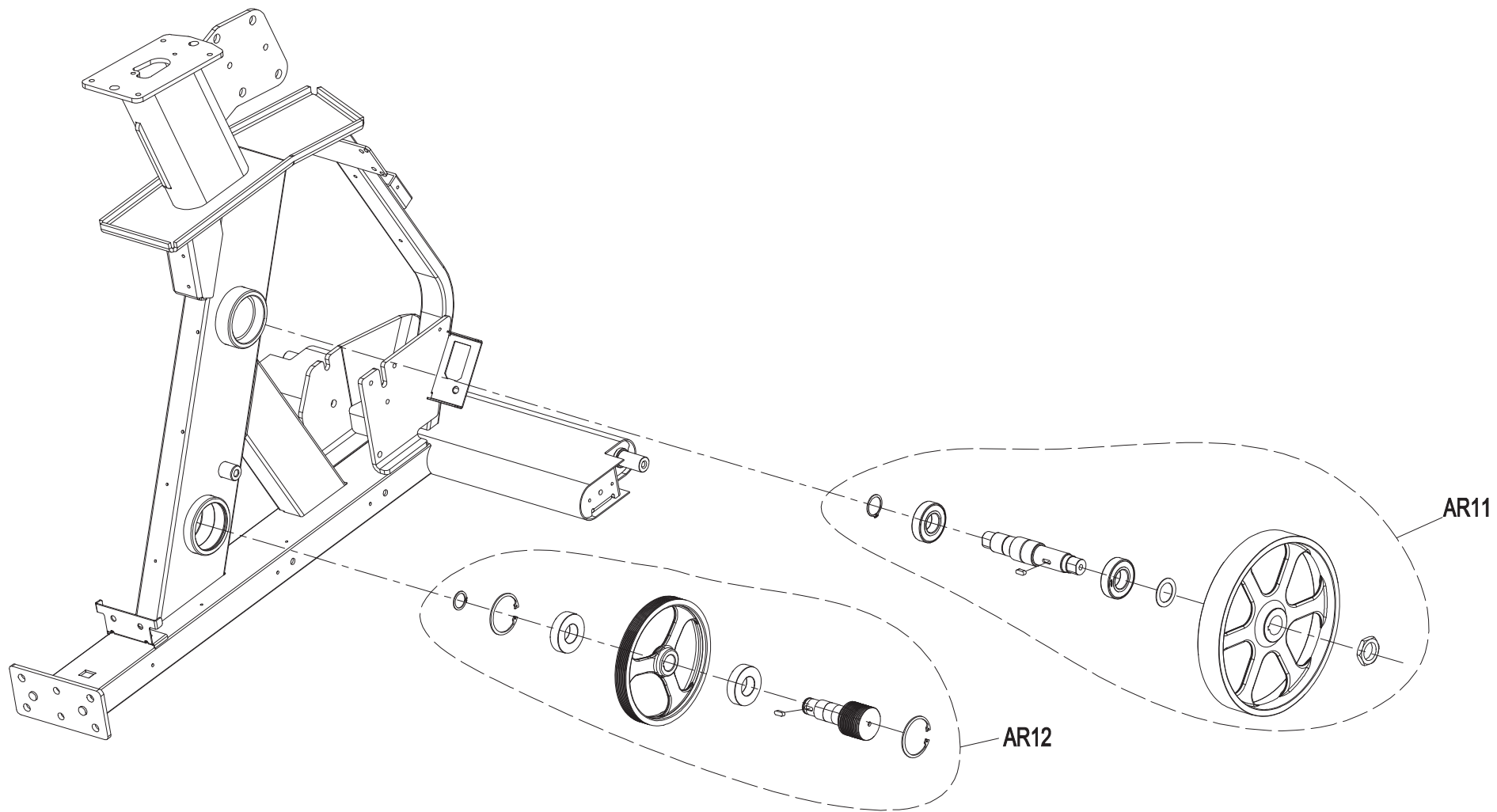
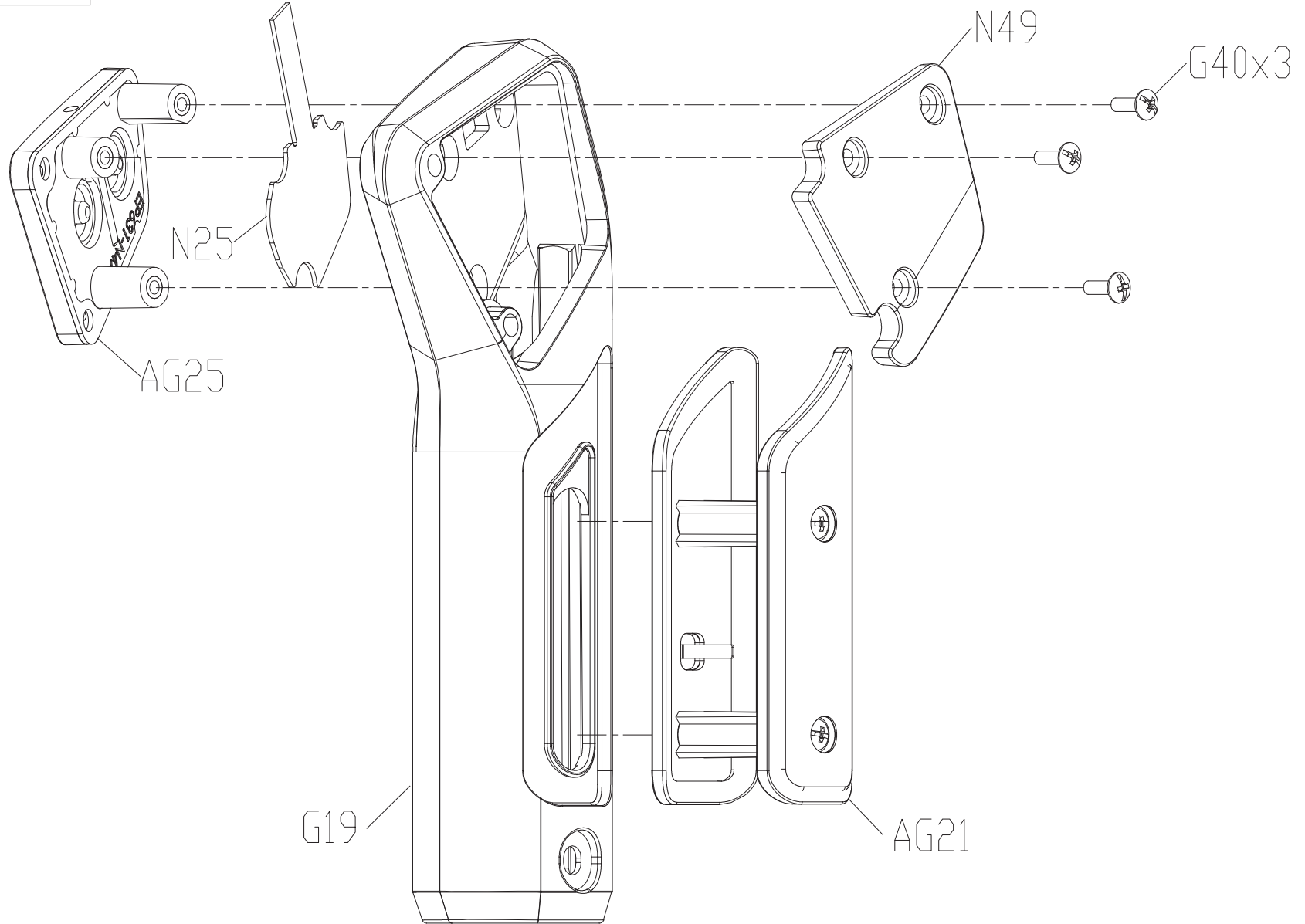




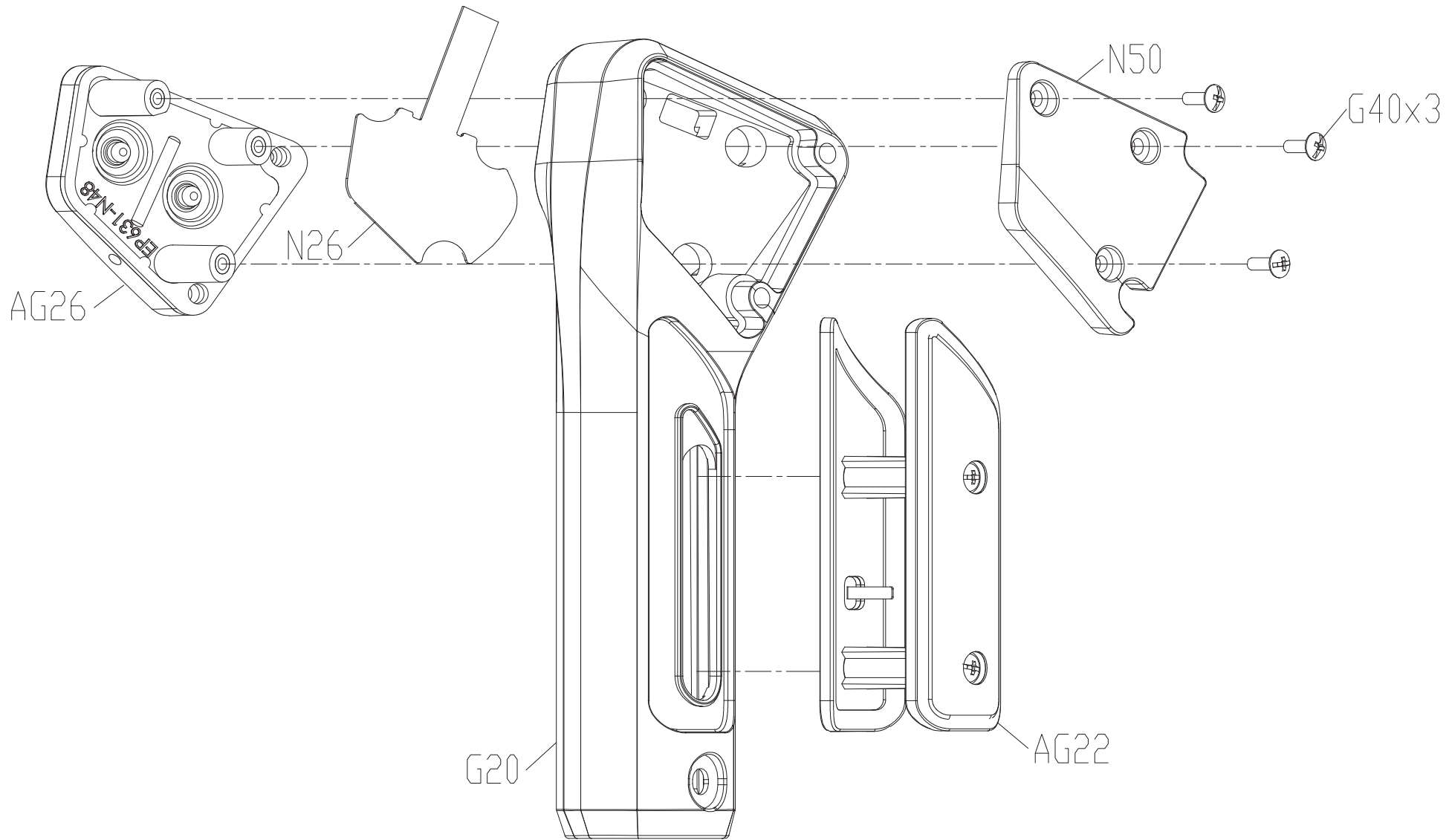
DRAWING NO	EP721C-AR10		
PART NAME	Frame set		
PART NO	1000450929	REV	A
APPROVE	Chen jianmin	DATE	2020.04.18



DRAWING NO	CS33-AG7	
PART NAME	Hand Pulse Set;Quickly Key;left	
PART NO	1000437064	
APPROVE	BROOK	DATE 20200302



DRAWING NO	CS33-AG8		
PART NAME	Hand Pulse Set;Quickly Key:right		
PART NO	1000437065		
APPROVE	BROOK	DATE	20200302



DRAWING NO	CS33-AG21		
PART NAME	Pulse Sensor Set;Grip;left		
PART NO	1000433339 <sup>R</sup> / <sub>REV</sub> B		
APPROVE	BROOK	DATE	20190514

