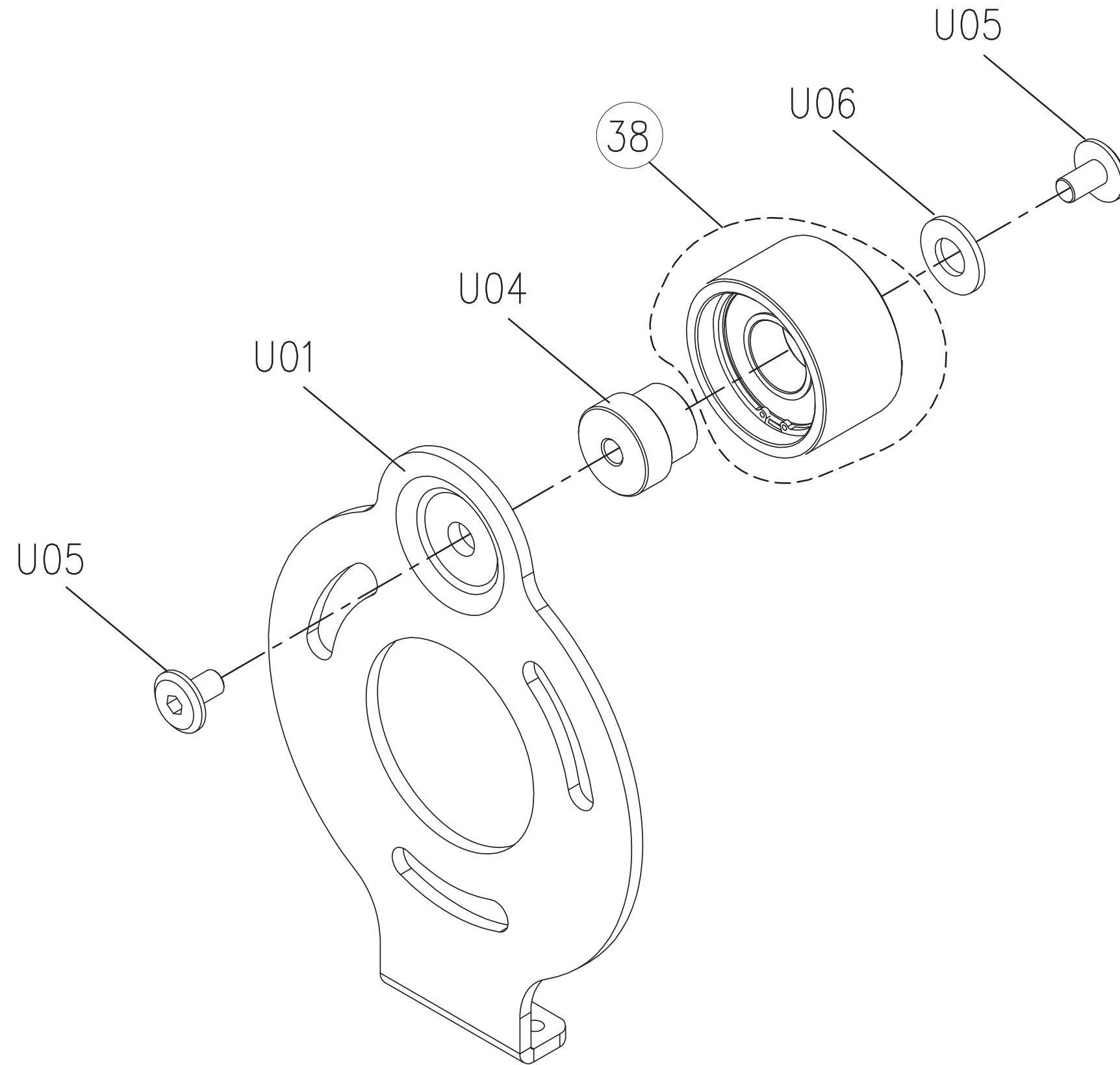
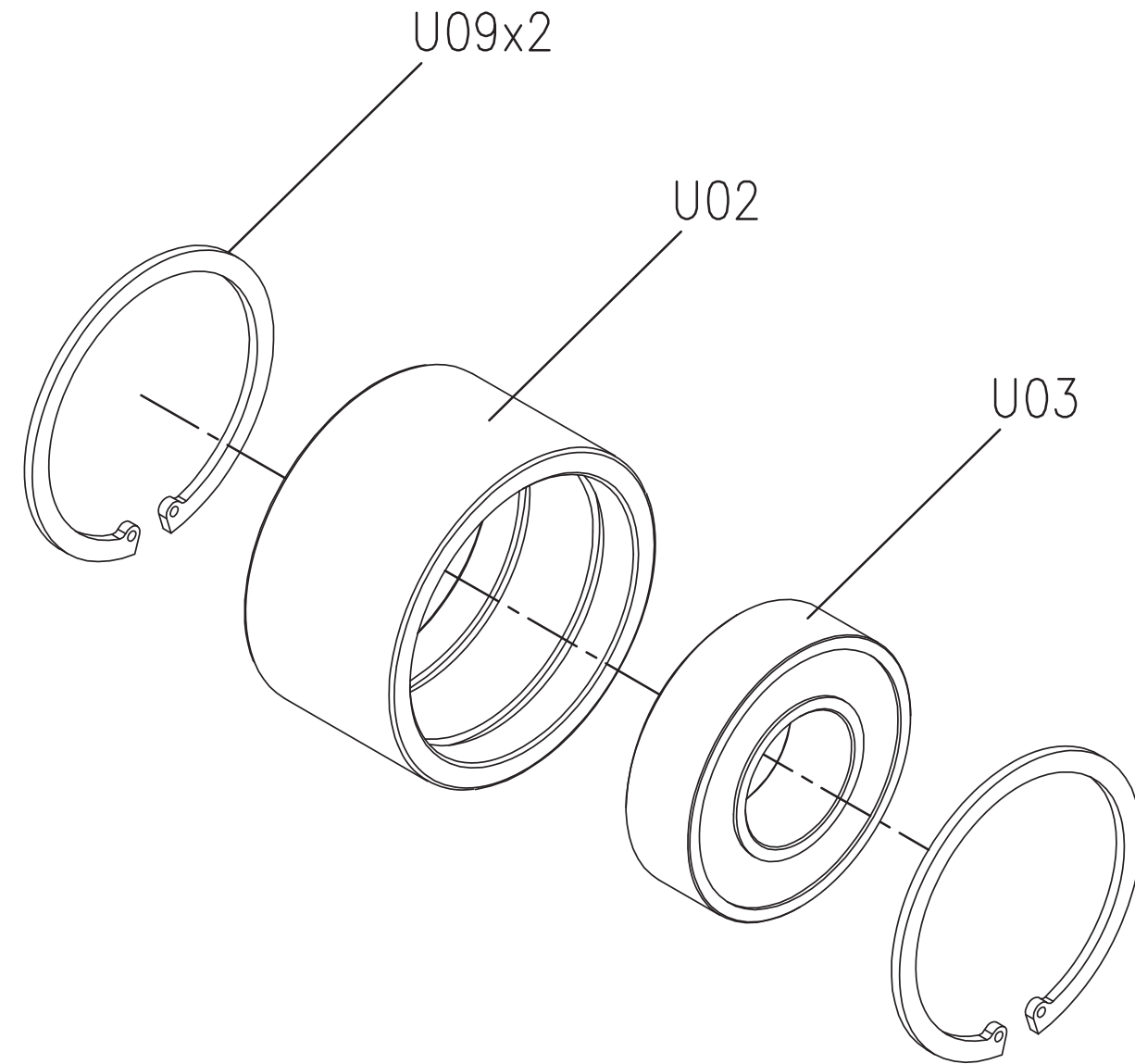


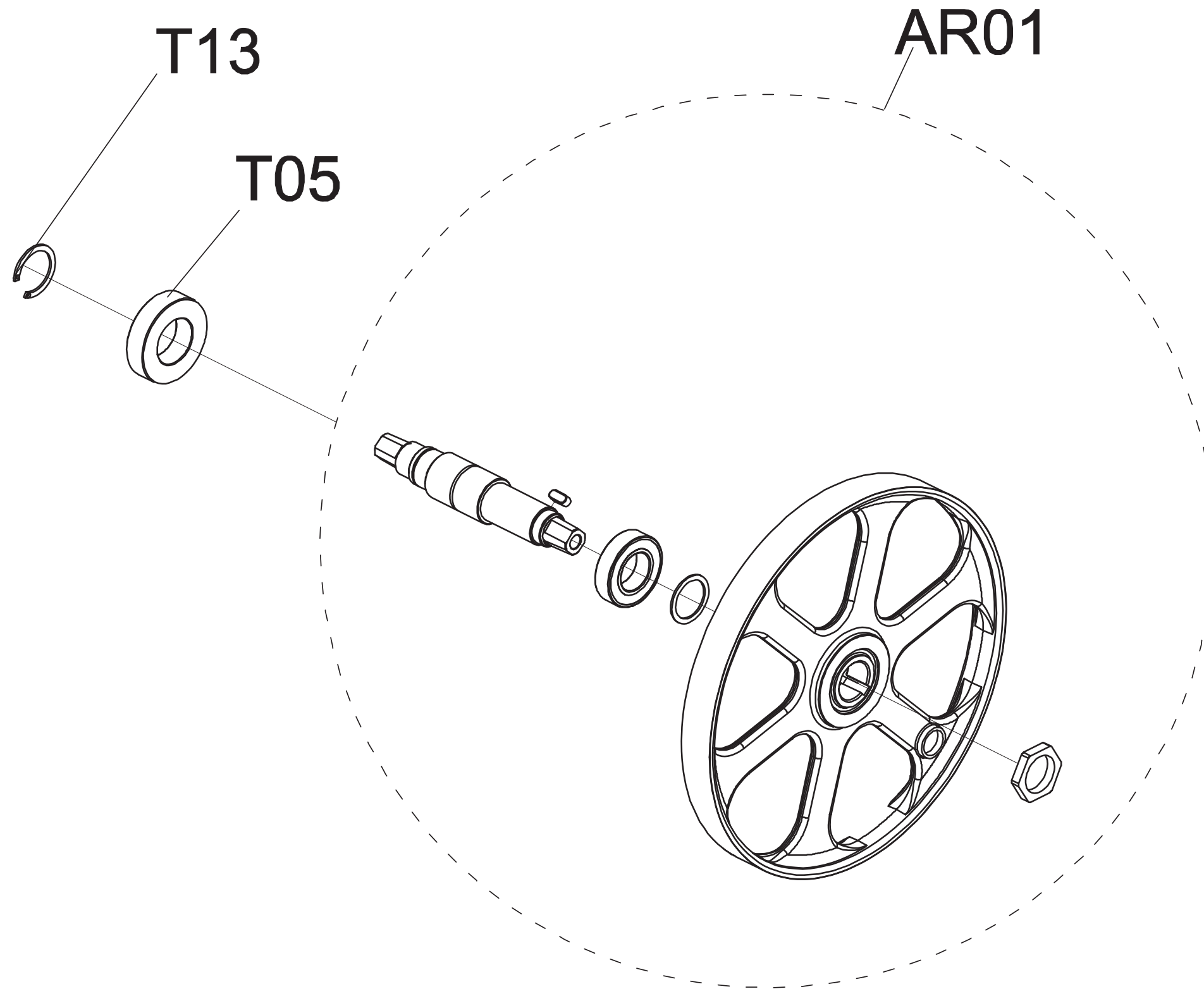
DRAWING NO	CB92-AU3		
PART NAME	Idler Fix Plate Set		
PART NO	1000230354 ^R _B		
APPROVE	KEN	DATE	20121217



DRAWING NO	CB92-AU4		
PART NAME	Idler Set		
PART NO	1000307358	REV	B
APPROVE	KEN	DATE	20130116

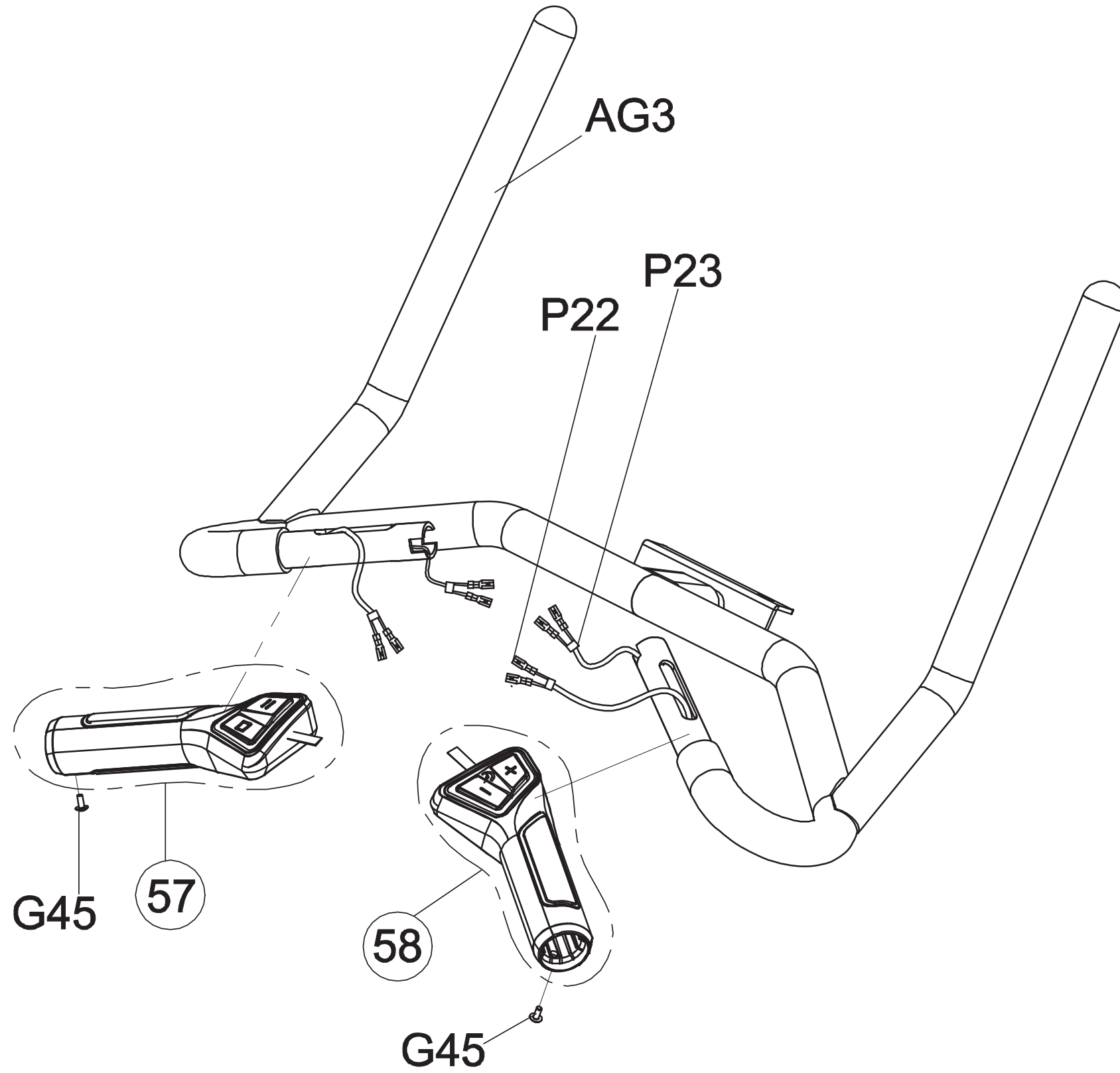


DRAWING NO	CB207-SF01		
PART NAME	Transmission Set		
PART NO	1000450892		A
APPROVER	ABBY	DATE	03192020

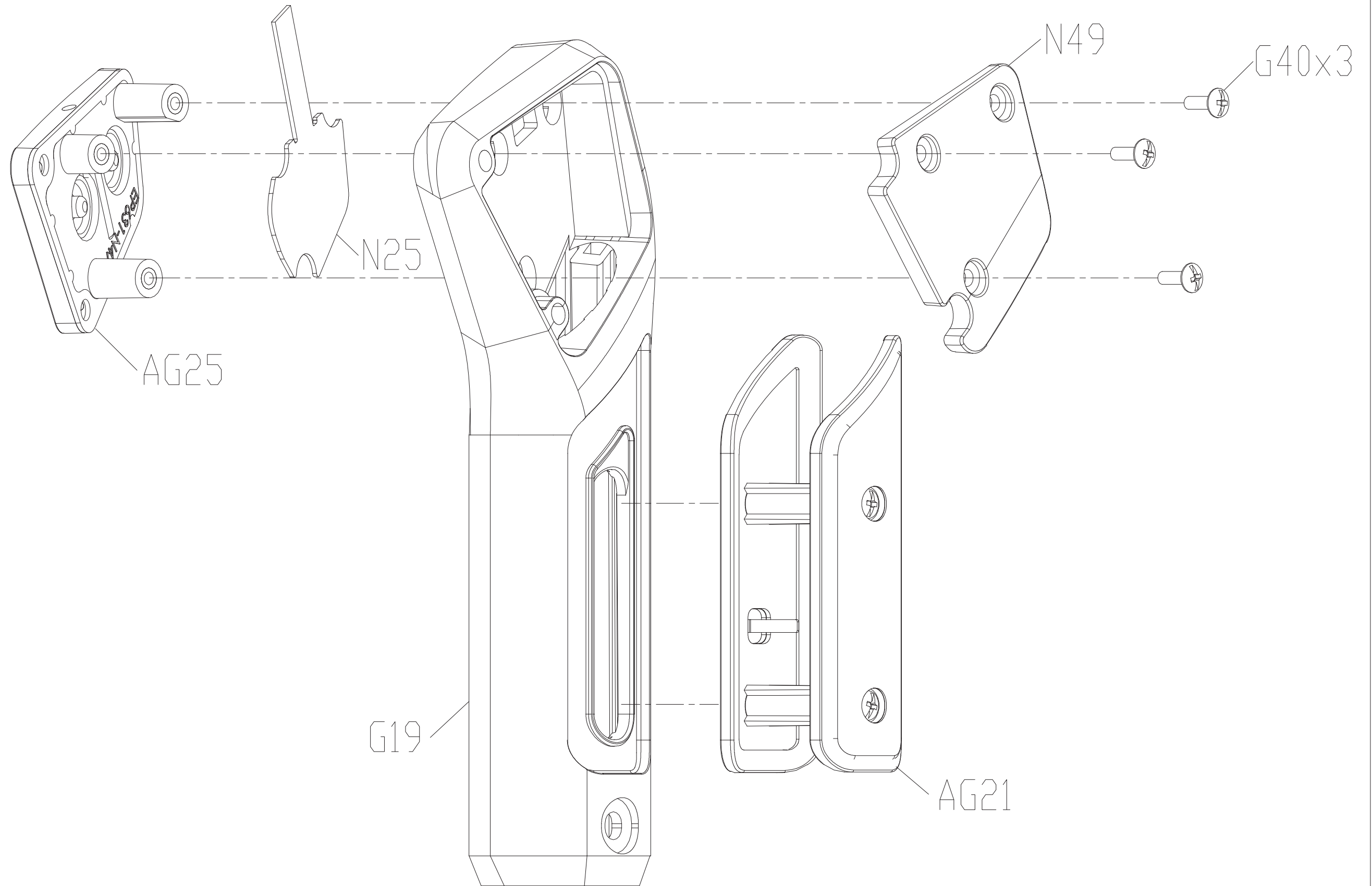


DRAWING NO	CB207-AG11		
PART NAME	Handlebar Set;Assembly		
PART NO	See Chart	A	
APPROVER	ABBY	DATE	03192020

Part NO.	Color
1000447083	Black Matte
1000449713	Graphite Grey



DRAWING NO	CS34-AG7		
PART NAME	Hand Pulse Set;Quickly Key;left		
PART NO	1000437106 ^R _{REV} D		
APPROVE	BROOK	DATE	20200302



DRAWING NO	CS34-AG8		
PART NAME	Hand Pulse Set;Quickly Key:right		
PART NO	1000443649	REV	C
APPROVE	BROOK	DATE	20200302

